

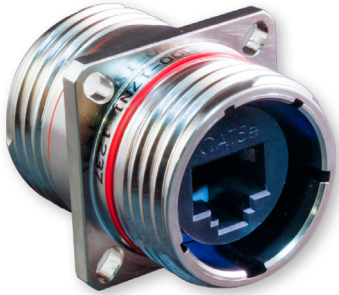


RJ45 CAT 5E/6A ETHERNET

MIL-DTL-38999 Series III Type Connectors



233-330 Feed-through receptacle connector



Receptacle front View

Part Number Development							
Sample Part Number	233-330	NF	00	-17	5H	N	1
Basic Number	233-330						
Finish	See Material and Finish table						
Connector Style ¹	See Connector Style table						
Shell Size	17 or 19						
RJ45 Category	5H = CAT 5e 6A = CAT 6A						
Alternate Key Position ¹	Per MIL-DTL-38999 A, B, C, D, E, N = Normal						
RJ45 Orientation	1, 2, 3, or 4						

Material and Finish

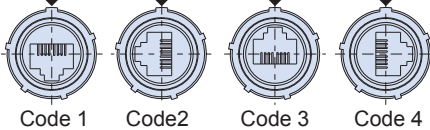
NF	Aluminum/Cadmium Olive Drab
ME	Aluminum/Electroless Nickel
MT	Aluminum/Nickel PTFE
ZR	Aluminum/Black Zinc-Nickel

Connector Style¹

00	Wall mount receptacle with slotted hole ²
07	Jam nut, rear panel mount receptacle
DO	Wall mount receptacle with round holes
CM	Wall mount receptacle with metric clinch nuts

RJ45 Orientation Options (Receptacle Face)

Master Keyway



Code 1

Code 2

Code 3

Code 4

All external dimensions, features, etc. compliant with D38999/20, /24, &/26. Consult factory for additional information.

Jam Nut Dimensions

Shell Size	Ø K		L		M Flat		R	
	in	mm	in	mm	in	mm	in	mm
17	1.764	44.81	1.642	41.71	1.191	30.25	.122	3.10
	1.740	44.20	1.610	40.89	1.181	30.00	.083	2.11
19	1.949	49.50	1.827	46.41	1.316	33.43	.153	3.89
	1.925	48.90	1.795	45.59	1.306	33.17	.114	2.90

Wall Mount Receptacle Dimensions

Shell Size	B Sq		C Bsc		D Bsc ²		E		F		Ø H Holes	
	In	mm	In	mm	In	mm	In	mm	In	mm	In	mm
17	1.323	33.60	1.062	26.97	.969	24.61	.136	3.45	.202	5.13	0.136	3.45
	1.299	32.99										
19	1.449	36.80	1.156	29.36	1.062	26.97	.120	3.05	.186	4.72	0.120	3.05
	1.425	36.20										

NOTES

1. See Section A for alternate key/keyway positions and panel cutout dimensions
2. front panel mount only
3. Meets IP67 in unmated condition, IP68 mated
4. Feed-thru receptacle is jack-to-jack configuration



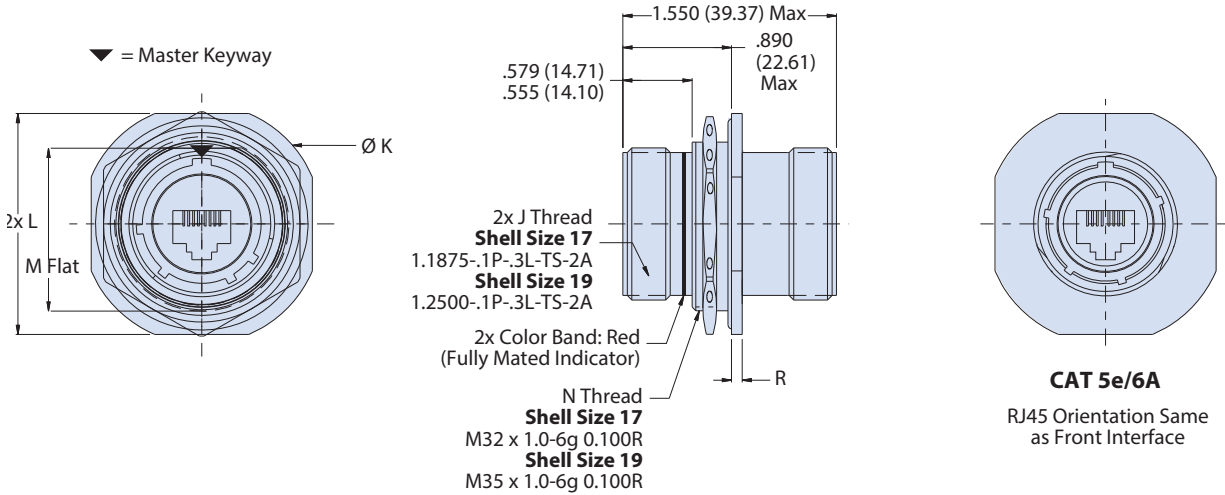
RJ45 CAT 5E/6A ETHERNET

MIL-DTL-38999 Series III Type Connectors



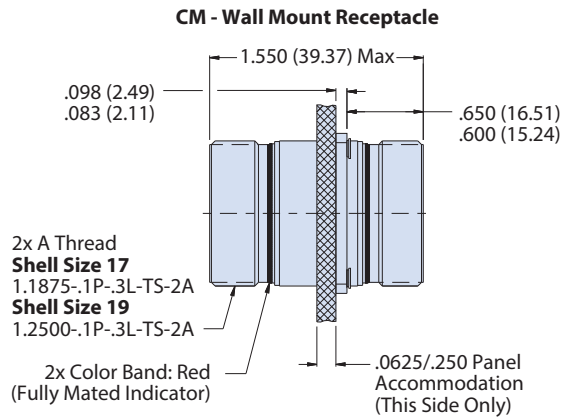
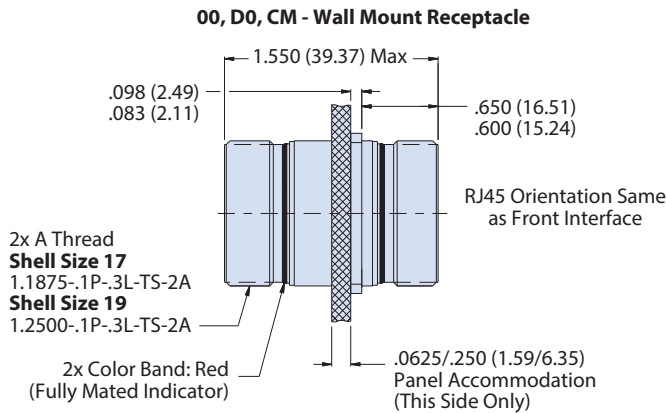
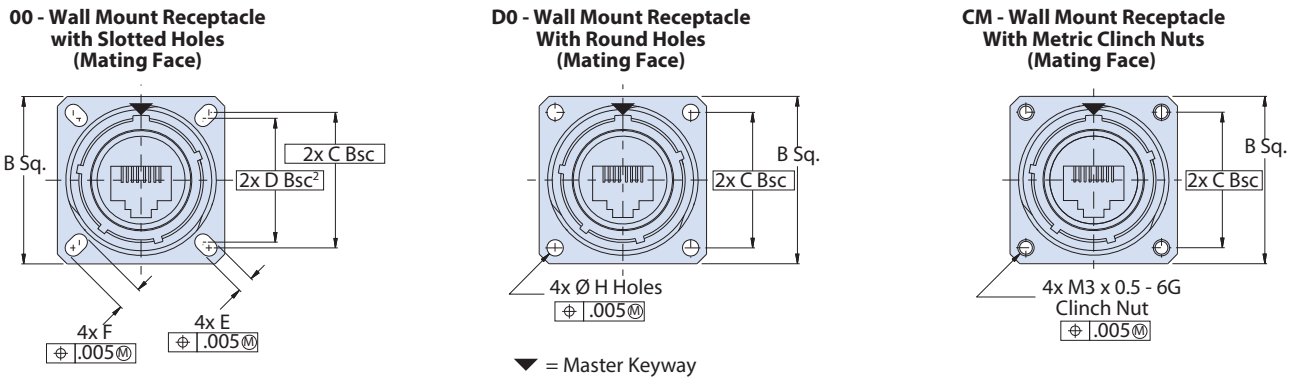
233-330 Feed-through receptacle connector

07 - REAR PANEL MOUNT, JAM NUT FEED-THROUGH RECEPTACLE



B

00, D0 AND CM - WALL MOUNT FEED-THRU RECEPTACLES



Mouser Electronics

Authorized Distributor

Click to View Pricing, Inventory, Delivery & Lifecycle Information:

Glenair:

[233-330NF00-176AN1](#) [233-330NF07-176AN1](#) [233-330NF00-175HB1](#) [233-330NFD0-196AN1](#) [233-330NF00-176AA1](#)
[233-330NF00-196AN3](#) [233-330AB07-175HN1](#) [233-330AB07-175HC1](#) [233-330ME07-176AN1](#) [233-330ZRD0-](#)
[196AN1](#) [233-330ZRD0-196AN2](#)