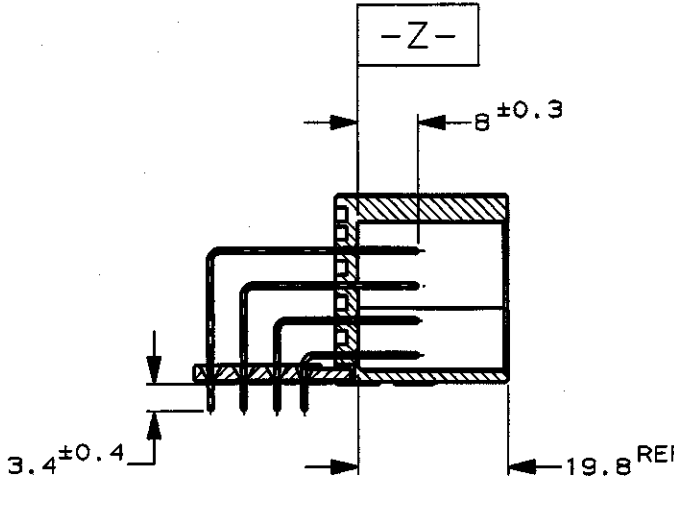
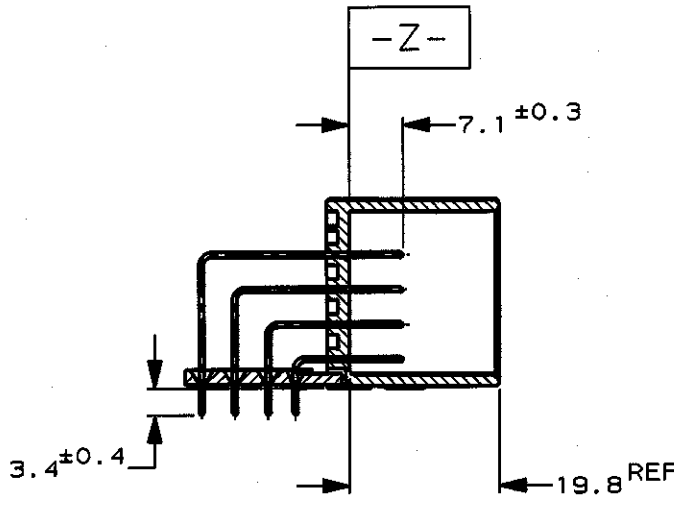
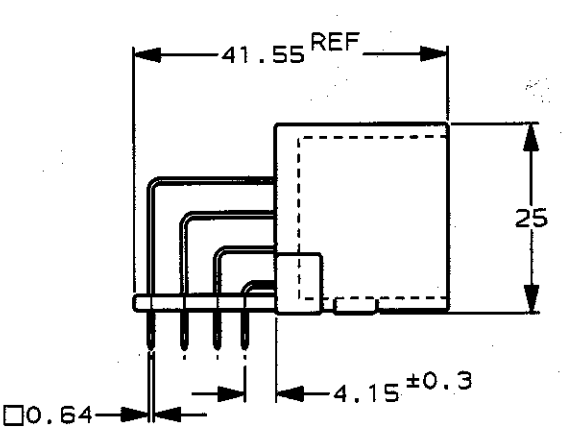
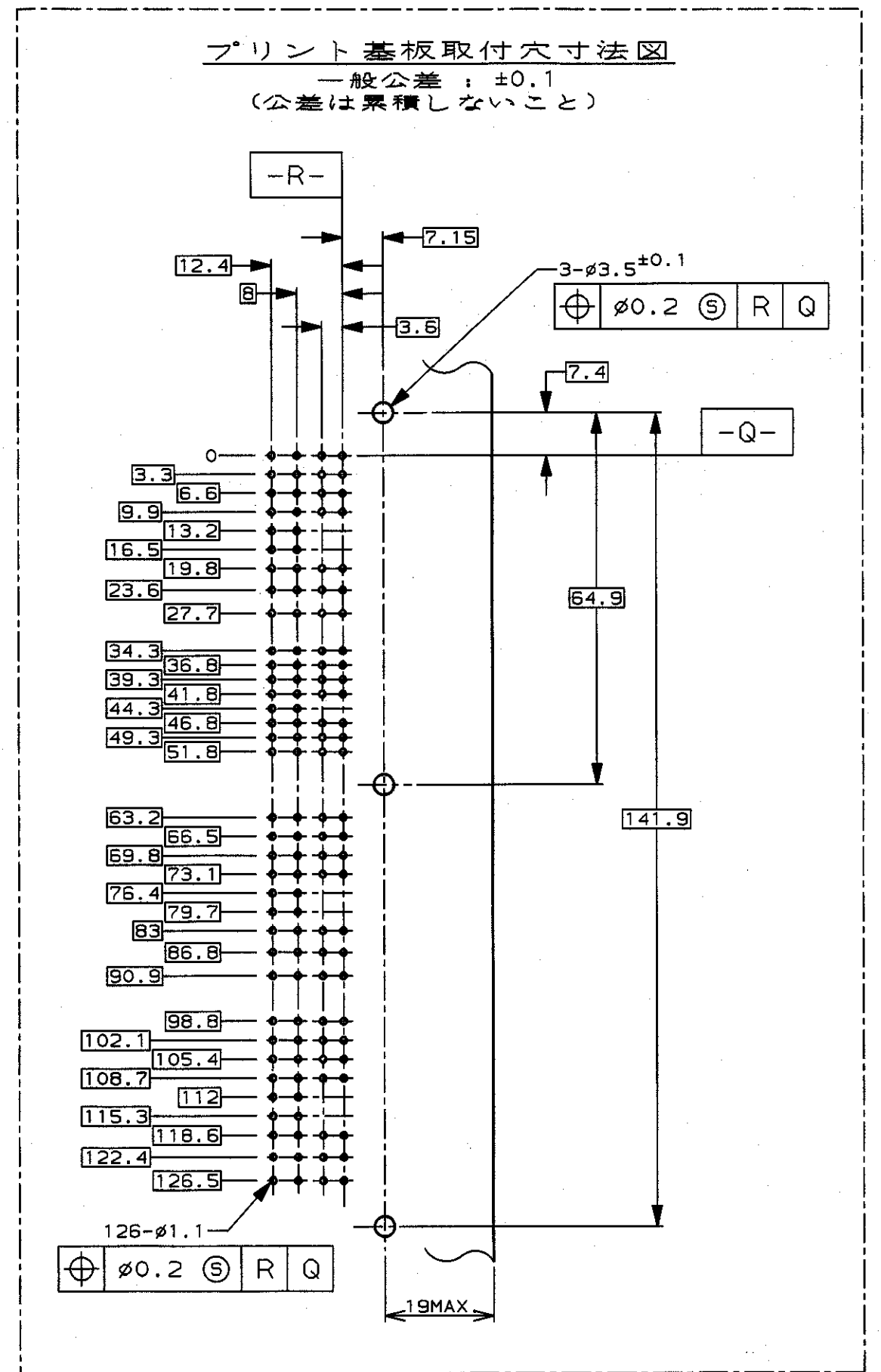
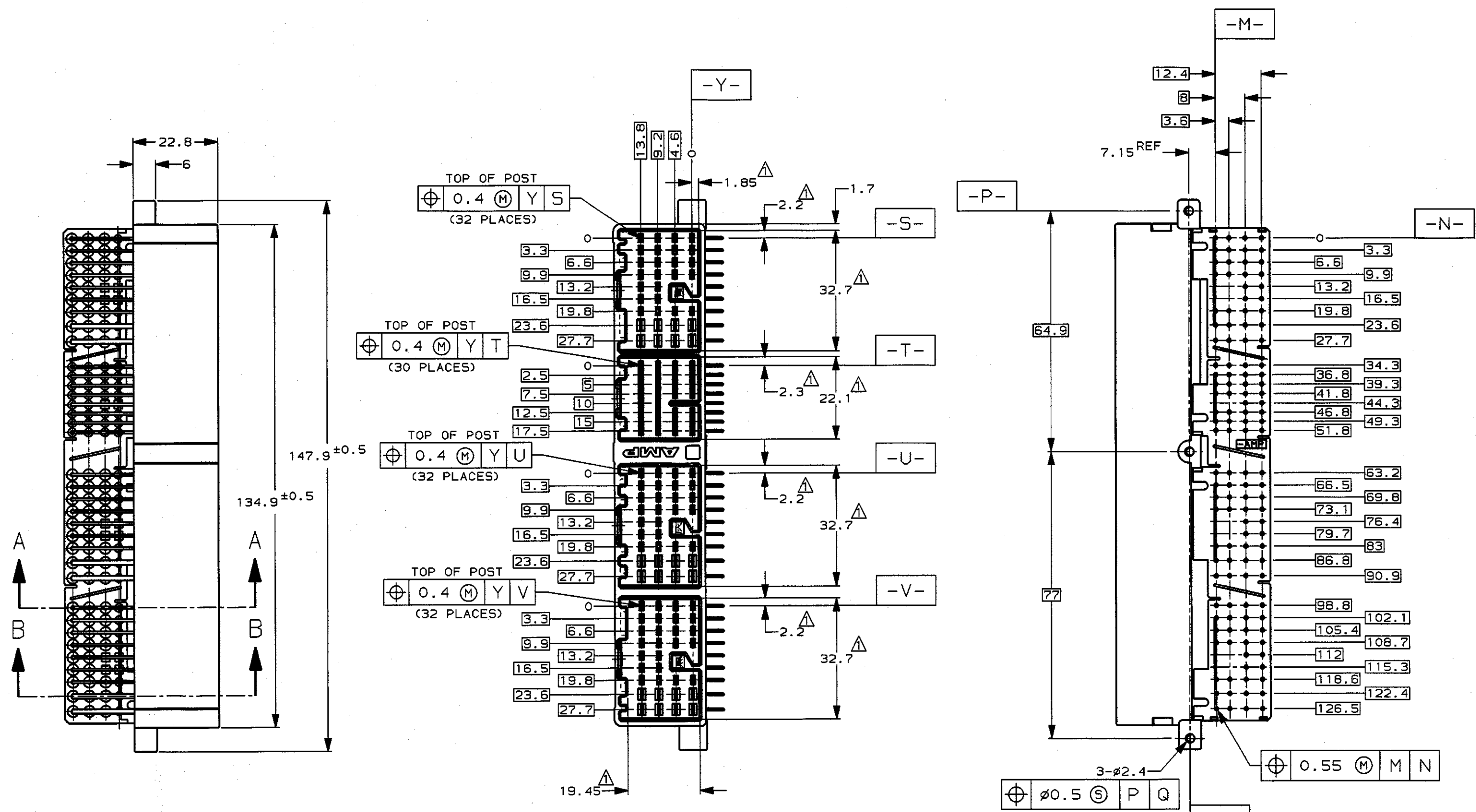


THIS DRAWING IS UNPUBLISHED. RELEASED FOR PUBLICATION .19
 © COPYRIGHT 19 BY AMP INCORPORATED. ALL RIGHTS RESERVED.

REVISIONS						
P	LTR	DESCRIPTION	ECN	DATE	DWN	APVD
0		作成 (RELEASED)	FJ00-1109-97	30JUL97	K.F	K.S
A		変更 (REVISED)	FJ00-0858-99	18MAY99	K.F	K.O



注記
 △ -Z- 面より8.5mmの位置で測定
 2 推奨取付ねじ: JIS B1115, B1122 タッピングねじ, なべ2種
 呼び径3, 長さ6mm以下 (締付けトルク: 0.4N.m (4Kg-cm) 以下)
 NOTE
 △ MEASURED AT THE SECTION 8.5mm FROM -Z-
 2 RECOMMENDED SCREW: PAN-HEADED, TYPE 2 TAPPING SCREW
 OF 3D1A X 6LEN(MAX) (JIS B1115, B1122)
 (FASTENING TORQUE FOR SCREW: 0.4N.m (4Kg-cm) MAX)

THIS DRAWING IS A CONTROLLED DOCUMENT FOR AMP INCORPORATED. IT IS SUBJECT TO CHANGE AND THE CONTROLLING ENGINEERING ORGANIZATION SHOULD BE CONTACTED FOR THE LATEST REVISION.		DWN K. FUCHIBE 30JUL97
DIMENSIONS 単位: mm		CHK K. ODA 30JUL97
TOLERANCES UNLESS OTHERWISE SPECIFIED 一般公差 10mm: ±0.2 3mm: ±0.25 10mm: ±0.3 ANGLE: ±3°		APVD K. SHIMIZU 30JUL97
MATERIAL HOUSING: PBT CONTACT: BRASS		PRODUCT SPEC 108-5580(-1) INSTRUCTION SHEET 411-5828(-1)
FINISH HOUSING: GRAY CONTACT: PRE-TIN		WEIGHT 54.3g
CUSTOMER DRAWING		SIZE: A2 CAGE CODE: 00779 DRAWING NO: C-353222

① 段ボール	GRAY 灰色	1-353222-6
通箱	GRAY 灰色	353222-6
梱包形態	HOUSING COLOR ハウジング色	P/N