

PLEASE CHECK WWW.MOLEX.COM FOR LATEST PART INFORMATION

Part Number: [1300550014](#)
Status: **Active**
Overview: Brad Industrial Ethernet Solutions
Description: Brad RJ-Lnxx Ethernet Pass-Through RJ-11 Female Receptacle Shielded

Documents:

[Drawing \(PDF\)](#) [RoHS Certificate of Compliance \(PDF\)](#)

General

Product Family	Industrial Receptacles
Series	130055
IP Rating	IP67
Overview	Brad Industrial Ethernet Solutions
Product Name	Brad, RJ-Lnxx
Type	Bulkhead Feed-Through
UPC	78678846633

Physical

Coupling Type	External Thread
Gender	Female
Keyway	None
Length	N/A
Material - Component	ABS
Mounting Thread Size	1" - 14 UNC
Net Weight	23.250/g
Orientation	Straight
Panel Mount	N/A
Poles	N/A
Temperature Range - Operating	-20° to +80°C
Wire Size AWG	N/A
Wire/Cable Type	N/A

Electrical

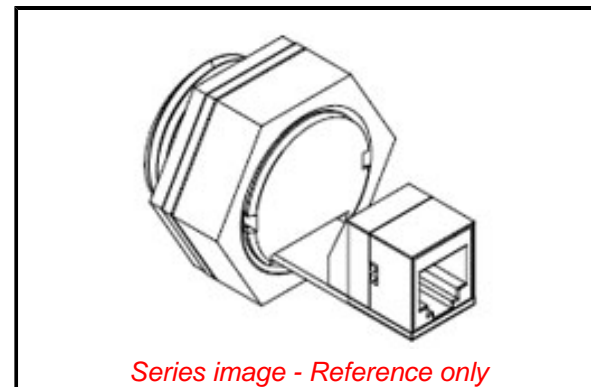
Current - Maximum per Contact	1.5A
Voltage - Maximum	125V DC

Material Info

Engineering Number	ENSP6F5
--------------------	---------

Reference - Drawing Numbers

Sales Drawing	SD-130055-001-001
---------------	-------------------



EU ELV

Not Relevant

EU RoHS

Not Reviewed

REACH SVHC

Not Reviewed

Halogen-Free

Status

Not Reviewed

For more information, please visit [Contact US](#)

China ROHS

Not Reviewed

ELV

Not Relevant

RoHS Phthalates

Not Reviewed

China RoHS

Search Parts in this Series

[130055 Series](#)

Mouser Electronics

Authorized Distributor

Click to View Pricing, Inventory, Delivery & Lifecycle Information:

[Molex:](#)

[130055-0014](#)