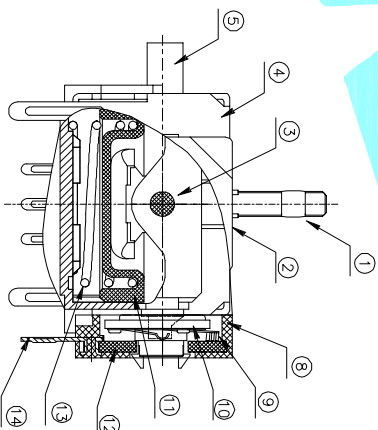
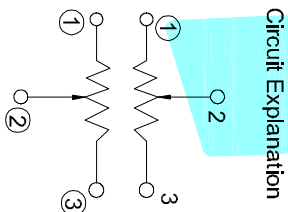
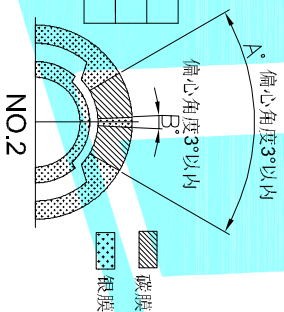


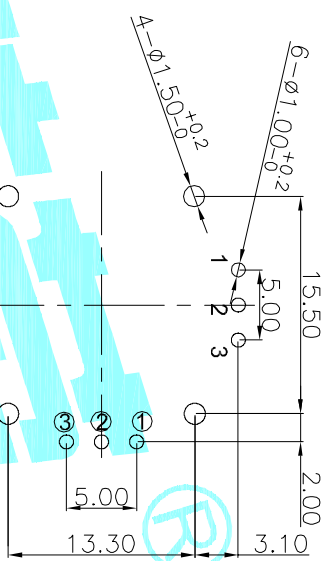
NO.1	
STANDARD	
10K±20%	
50K±20%	
100K±20%	
120K±20%	

NO.2	
A	38° 40° 45° 50° 60°
B	0° 4° 6° 8°



Scale 1:1

PCB Layout (Pattern side)



NO.3	
S	HAVE SWITCH
W	NO SWITCH

NO.4	
PART NO.	vigor
A	160±40gf
B	220±40gf
C	250±40gf

NO.5	
PART NO.	NOTE
01~99	SERIAL NUMBER

14	端子	6	SPCC	Plating Sn	
13	弹簧	1	SUS		
12	电阻片	2			
11	滑动座	1	PLASTIC		
10	胶座	2	PLASTIC		
9	刷子	2			
8	电阻片本体	2	PLASTIC		
7	底座		PBT		
6	开关		6*6*5		
5	下摇臂	1	ALLOY		
4	外壳	1	SPTF		
3	铆钉	1	FE	Plating Ni	
2	上摇臂	1	BRASS		
1	轴心	1	SUS	Plating Ni	

APPROVALS

DRAWN QI/FENG.XU 2014.11.28



ELECTRONICS CO.,LTD

CHECKED

TITLE: POTENTIOMETER

APPROVALS

PART NO. 3D161-DDK-ADD0D-0-0-00

ECN NO. REV. DATE.

DESCRIPTION. NEW

CHANGE. CHECK. APPRO.

TOLERANCES ARE 30~12.5 ±0.30 10~30 ±0.20 5~10 ±0.15 ~5 ±0.10 ANGLE ±27 UNIT: mm SCALE: 1:1 PROJ: SHEET 1 OF 1