

CK2,5-ED-2,50BU AG - Crimp contact



1663682

<https://www.phoenixcontact.com/us/products/1663682>

Please be informed that the data shown in this PDF document is generated from our online catalog. Please find the complete data in the user documentation. Our general terms of use for downloads are valid.



Crimp contact, contact diameter: 2.5 mm, turned, Socket, contact material: Copper alloy, contact surface: silver-plated, connection cross section: 2.5 mm² ... 2.5 mm², AWG 14

Commercial data

Item number	1663682
Packing unit	100 pc
Minimum order quantity	100 pc
Sales key	BF65
Product key	BF7AID
Catalog page	Page 509 (C-2-2019)
GTIN	4017918123499
Weight per piece (including packing)	1.653 g
Weight per piece (excluding packing)	1.62 g
Customs tariff number	85366990
Country of origin	DE

CK2,5-ED-2,50BU AG - Crimp contact



1663682

<https://www.phoenixcontact.com/us/products/1663682>

Technical data

Notes

General	for HC-M-06..., HC-M-HV-, HC-M-08-, HC-M-20-, HC-A..., HC-B.., HC-BB..., HC-BBB..., and HC-HV contact carriers
---------	--

Mounting

Assembly instructions	The quality of a crimp connection is determined by DIN EN 60352-2.
-----------------------	--

Product properties

Product type	Crimp contact
Series	HC-M-06
	HC-M-HV
	HC-M-08
	HC-A
	HC-BB
	HC-B
	HC-HV
	HC-M-20
	HC-K
	HC-BBB
	HC-Q
HC-COM	
Type	Individual female contact
Contact material type	turned

Connection data

Connection method	Crimp connection
Contact connection type	Socket
Connection technology	Crimp connection
Conductor cross section	2.5 mm ² ... 2.5 mm ²
Connection cross section AWG	14
Stripping length of the individual wire	7.5 mm (9.5 mm at HC-M-HV...)
Conductor cross section flexible	2.5 mm ² ... 2.5 mm ²

Material specifications

Contact material	Copper alloy
Contact surface material	silver-plated

Dimensions

Mechanical characteristics

Contact diameter	2.5 mm
------------------	--------

CK2,5-ED-2,50BU AG - Crimp contact



1663682

<https://www.phoenixcontact.com/us/products/1663682>

Mechanical properties

Mechanical data

Insertion/withdrawal cycles	≥ 500
-----------------------------	-------

Environmental and real-life conditions

Ambient conditions

Ambient temperature (operation)	-40 °C ... 125 °C
---------------------------------	-------------------

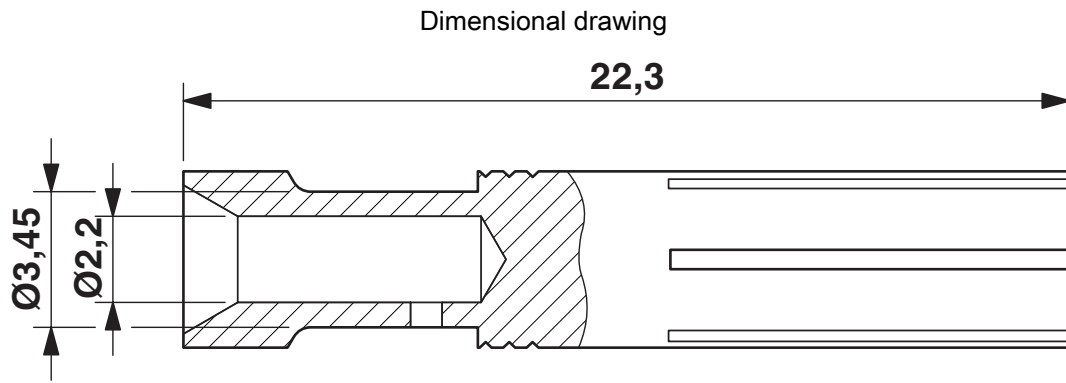
CK2,5-ED-2,50BU AG - Crimp contact



1663682

<https://www.phoenixcontact.com/us/products/1663682>

Drawings



Dimensional drawing

CK2,5-ED-2,50BU AG - Crimp contact



1663682

<https://www.phoenixcontact.com/us/products/1663682>

Approvals

🔗 To download certificates, visit the product detail page: <https://www.phoenixcontact.com/us/products/1663682>



EAC

Approval ID: RU C-DE.AI30.B.01102



EAC

Approval ID: EAC-Zulassung

CK2,5-ED-2,50BU AG - Crimp contact



1663682

<https://www.phoenixcontact.com/us/products/1663682>

Classifications

ECLASS

ECLASS-11.0	27440204
ECLASS-12.0	27440204
ECLASS-13.0	27440204

ETIM

ETIM 9.0	EC000796
----------	----------

UNSPSC

UNSPSC 21.0	39121500
-------------	----------

CK2,5-ED-2,50BU AG - Crimp contact



1663682

<https://www.phoenixcontact.com/us/products/1663682>

Environmental product compliance

EU RoHS

Fulfills EU RoHS substance requirements	Yes
Exemption	6(c)

China RoHS

Environment friendly use period (EFUP)	EFUP-50
	An article-related China RoHS declaration table can be found in the download area for the respective article under "Manufacturer declaration". For all articles with EFUP-E, no China RoHS declaration table issued and required.

EU REACH SVHC

REACH candidate substance (CAS No.)	Lead(CAS: 7439-92-1)
SCIP	b2661b5a-b893-4016-bdf7-d1c7e45e2393

CK2,5-ED-2,50BU AG - Crimp contact

1663682

<https://www.phoenixcontact.com/us/products/1663682>



Accessories

CK2,5-ED-2,50ST AG - Crimp contact

1663611

<https://www.phoenixcontact.com/us/products/1663611>



Crimp contact, contact diameter: 2.5 mm, turned, Pin, contact material: Copper alloy, contact surface: silver-plated, connection cross section: 2.5 mm² ... 2.5 mm², AWG 14

CRIMPFOX-TC MP-6 - Crimping pliers with digital display

1202888

<https://www.phoenixcontact.com/us/products/1202888>



Crimping tool, for turned contacts, universal cross-section setting, up to a maximum of 6.0 mm², digital display with 0.01 mm increments, pressure lock can be unlocked, positioning tool necessary as an accessory for contact positioning

CK2,5-ED-2,50BU AG - Crimp contact

1663682

<https://www.phoenixcontact.com/us/products/1663682>



CRIMPFOX-TC HC 4 - Crimping pliers

1297083

<https://www.phoenixcontact.com/us/products/1297083>



Crimping pliers, for CK 1,6-ED..., CK 2,5-ED..., CK 4,0-ED... turned contacts, 4 marked die stations, unlockable pressure lock, lateral entry, incl. positioning tool

UNIFOX RT-CK 2.5 - Contact removal tool

1072067

<https://www.phoenixcontact.com/us/products/1072067>



Contact removal tool, for turned CK 2,5... contacts

CK2,5-ED-2,50BU AG - Crimp contact

1663682

<https://www.phoenixcontact.com/us/products/1663682>



UNIFOX MT-CK 1.6/2.5 - Assembly tool

1089092

<https://www.phoenixcontact.com/us/products/1089092>

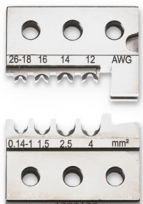


Assembly tool, for CK 1.6... crimp contacts for small conductor cross sections

CF 500/DIE TC HC 4 - Crimp insert

1324132

<https://www.phoenixcontact.com/us/products/1324132>



Die for CF 500 automatic crimping device, CK 1,6-ED..., CK 2,5-ED..., CK 4,0-ED... turned contacts, 4 marked die stations

Phoenix Contact 2024 © - all rights reserved
<https://www.phoenixcontact.com>

Phoenix Contact USA
586 Fulling Mill Road
Middletown, PA 17057, United States
(+717) 944-1300
info@phoenixcon.com