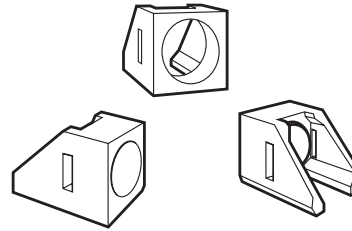


HLMP-5029

Right Angle Mount Housing



Data Sheet



Description

The HLMP-5029 is a black plastic right angle housing which mates with Avago high dome T-13/4 lamps. The leads should be prebent 90° as shown prior to snapping into the right angle housing.

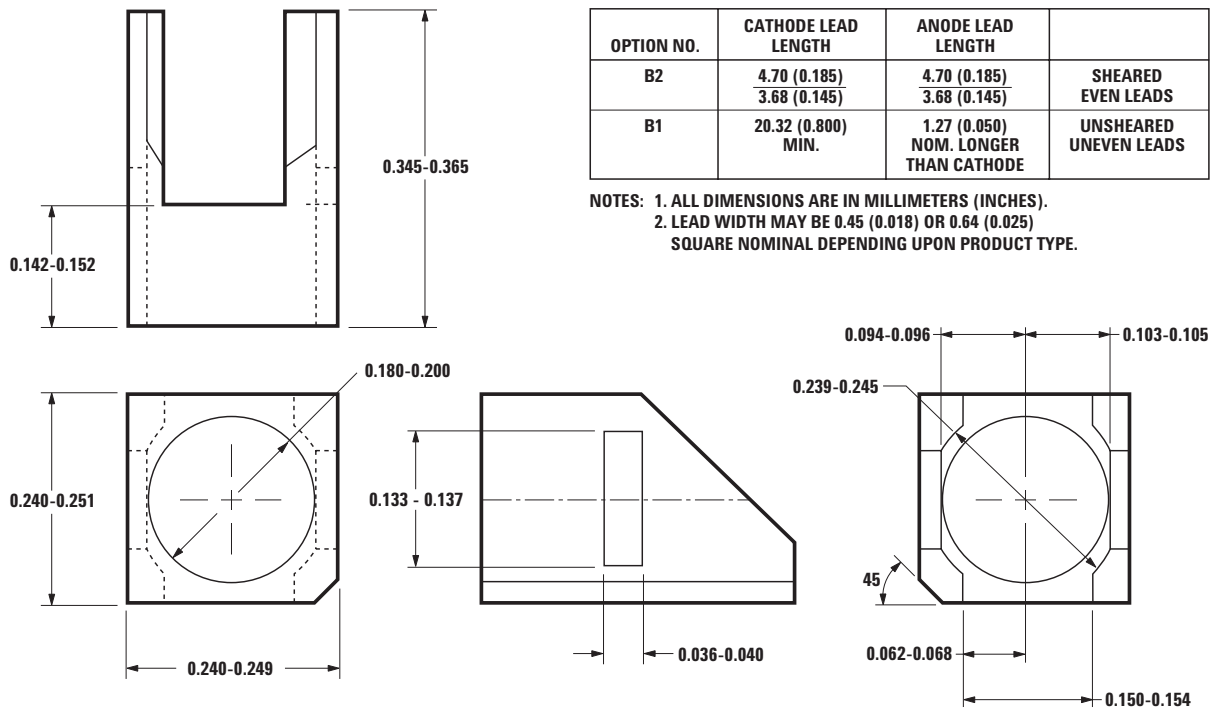
The housing material is high temperature nylon capable of withstanding temperatures up to +150°C.

As an option, T-13/4 lamps may be ordered pre-mounted into the HLMP-5029 housing with leads bent down 90° and sheared to length, see table. To order, select the lamp base, part number and affix the desired option code. For example, the HLMP-3301 HER lamp may be ordered pre-mounted into the HLMP-5029 housing with leads sheared to an even length. The part number for this option is: HLMP-3301-xxxB2.

Features

- Fits any Avago high dome T-13/4 LED lamp
- Snap-in fit makes mounting simple
- High contrast black plastic
- May be ordered with mounted T-1³/₄ lamp as an option
- Housing meets UL9V-0 flammability rating

Physical Dimensions



| OPTION NO. | CATHODE LEAD LENGTH | ANODE LEAD LENGTH | |
|------------|-------------------------------------|---------------------------------------|------------------------|
| B2 | $\frac{4.70 (0.185)}{3.68 (0.145)}$ | $\frac{4.70 (0.185)}{3.68 (0.145)}$ | SHEARED EVEN LEADS |
| B1 | 20.32 (0.800) MIN. | 1.27 (0.050) NOM. LONGER THAN CATHODE | UNSHEARED UNEVEN LEADS |

NOTES: 1. ALL DIMENSIONS ARE IN MILLIMETERS (INCHES).
 2. LEAD WIDTH MAY BE 0.45 (0.018) OR 0.64 (0.025) SQUARE NOMINAL DEPENDING UPON PRODUCT TYPE.

DIMENSIONS ARE IN INCHES.

For product information and a complete list of distributors, please go to our web site: www.avagotech.com

Mouser Electronics

Authorized Distributor

Click to View Pricing, Inventory, Delivery & Lifecycle Information:

[Broadcom Limited:](#)

[HLMP-5029](#)