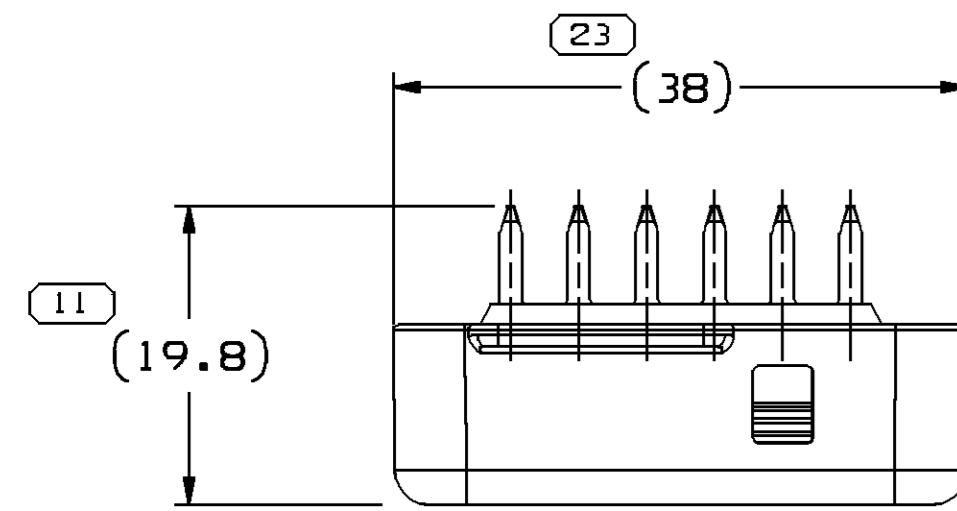
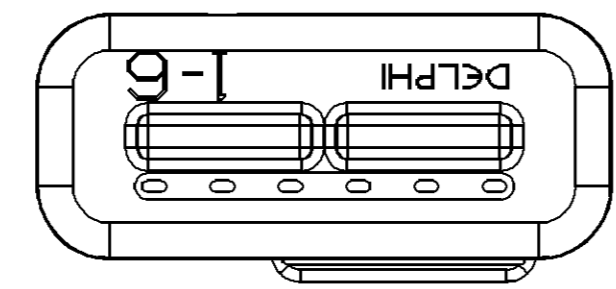
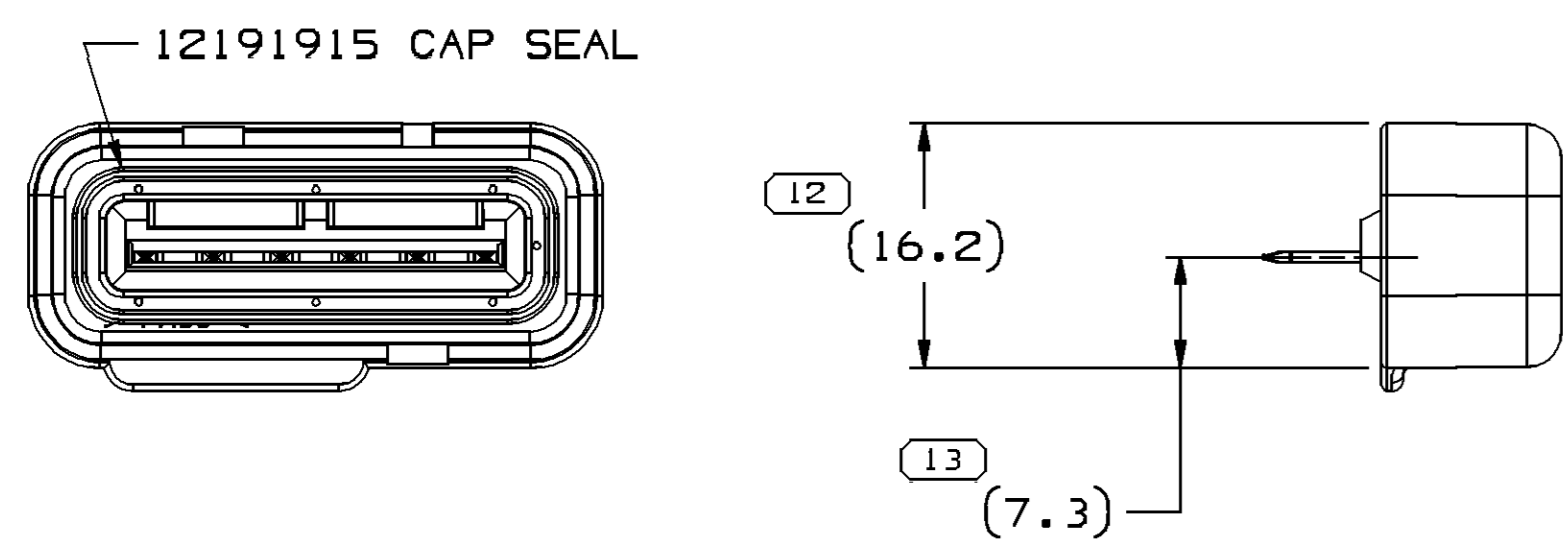
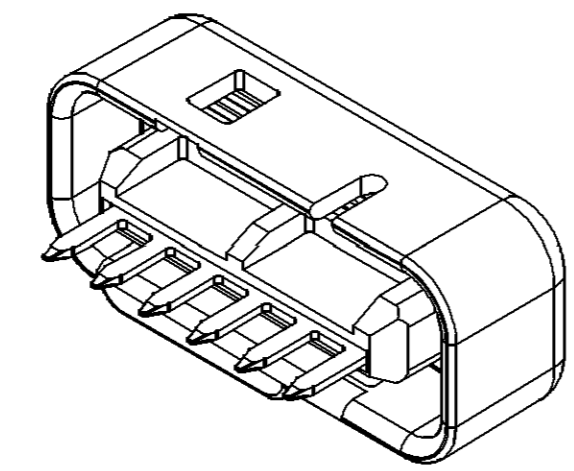
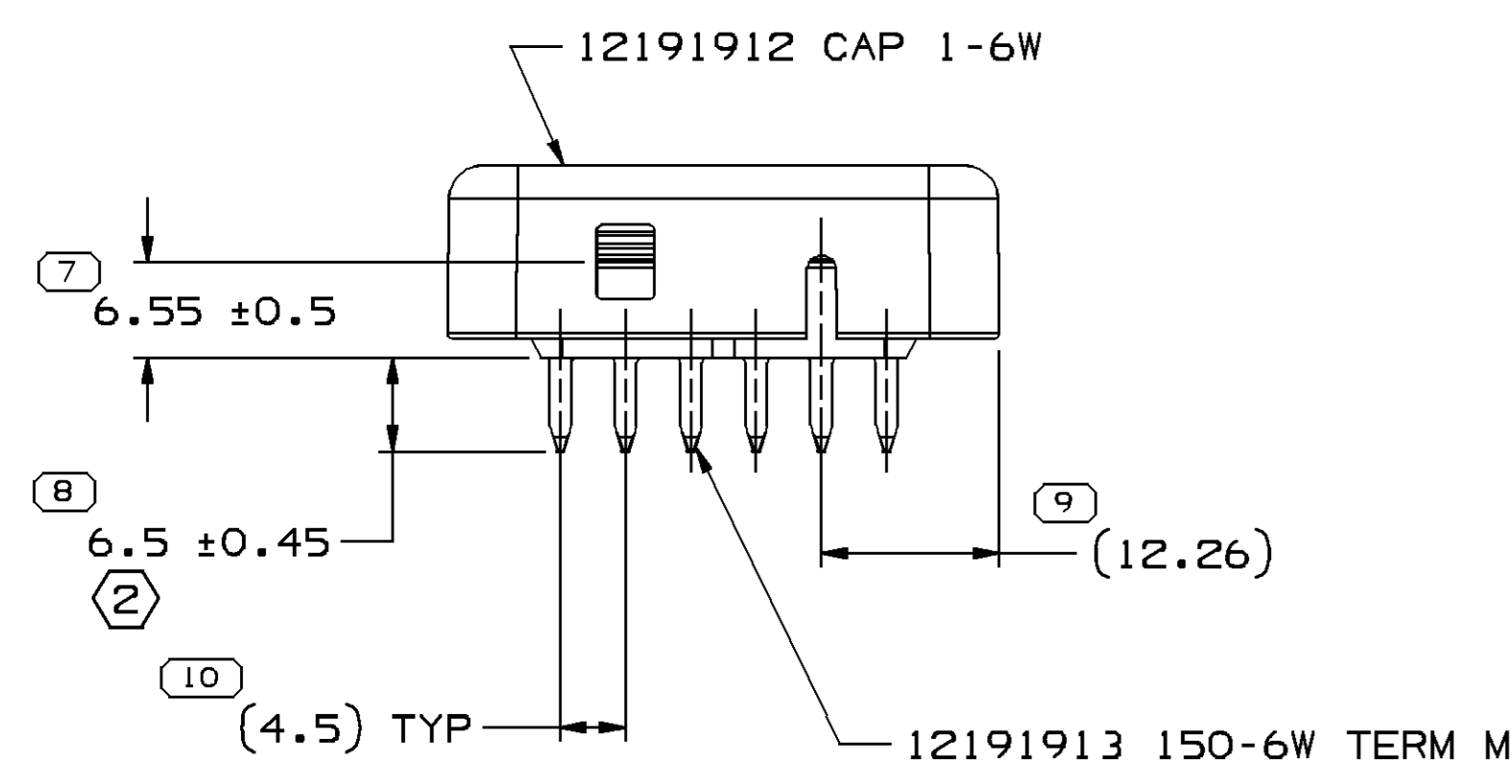


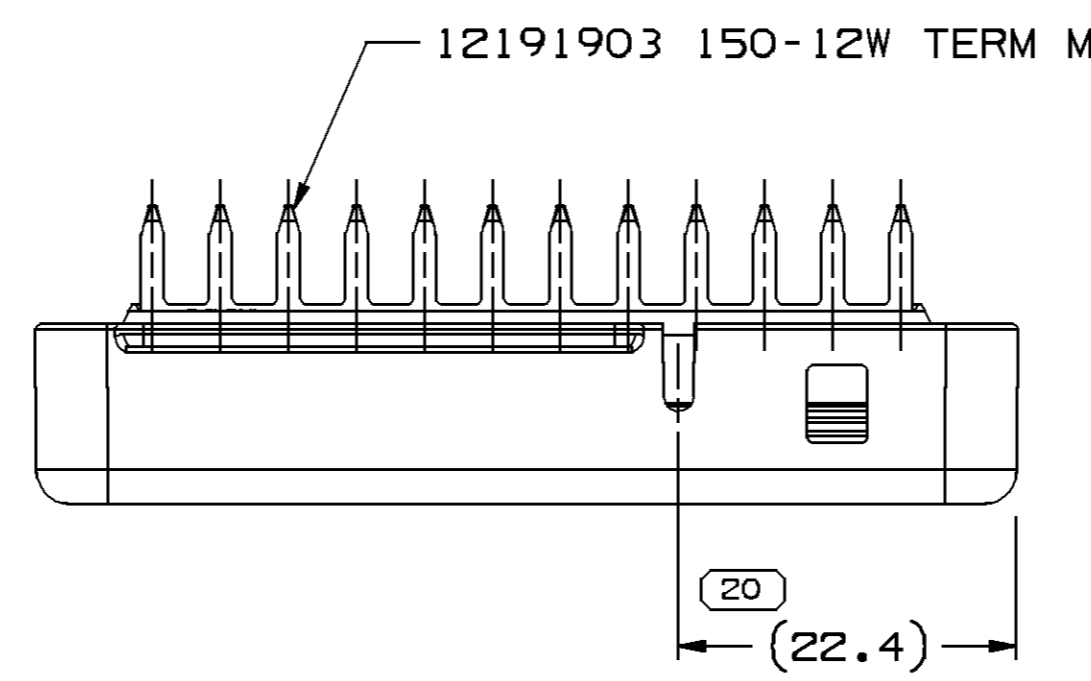
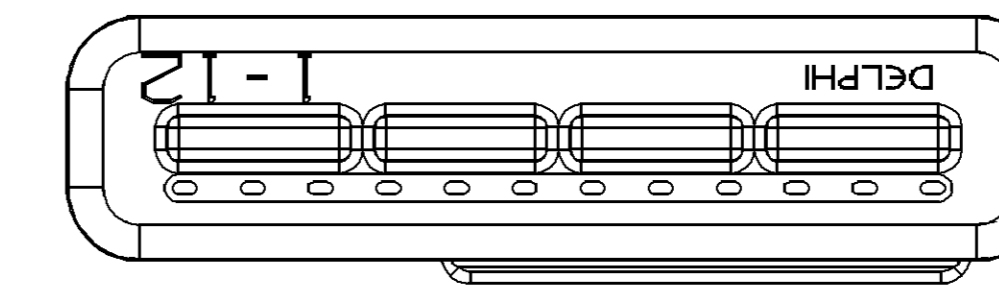
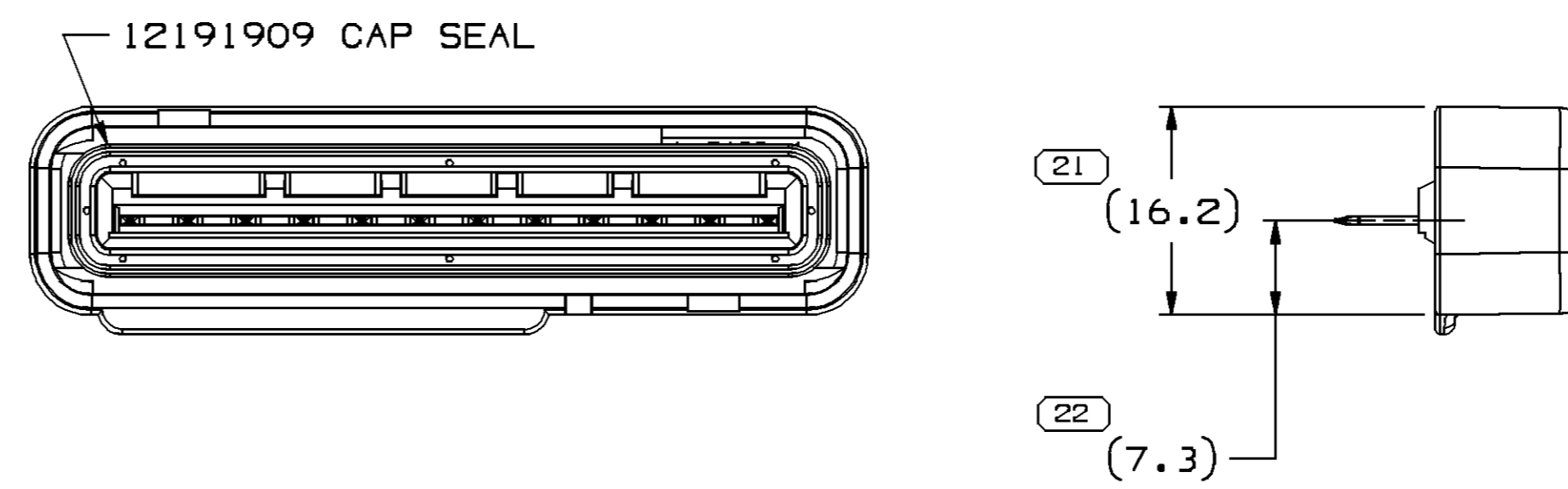
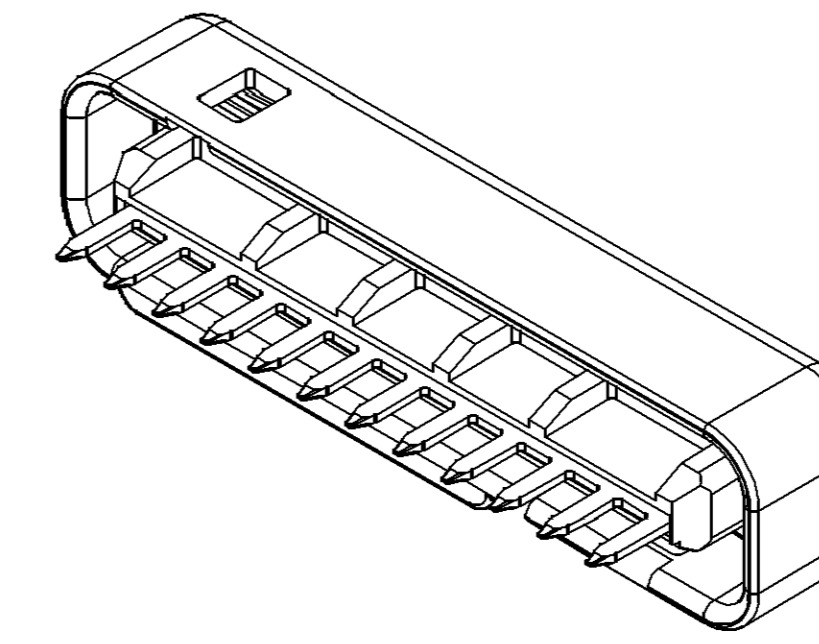
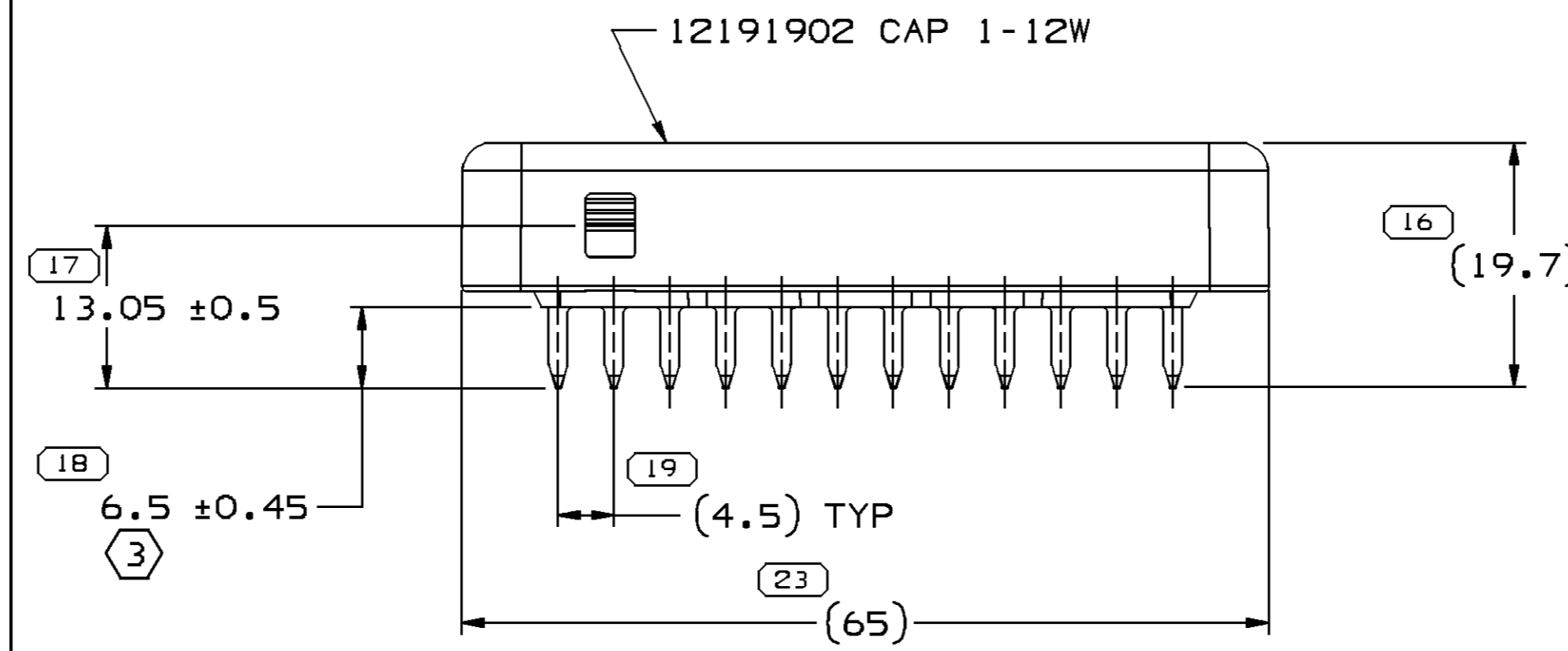
TYPE 101



TYPE 103  
SAME AS TYPE 101  
EXCEPT AS SHOWN

SYMBOL DEFINITION		MISSING SYMBOLS	
A DIMENSION WITHOUT AN INSPECTION REPORT SYMBOL ( ) DOES NOT REQUIRE INSPECTION. IT MAY BE CONTROLLED ON THE INDIVIDUAL COMPONENT DRAWING.		TOTAL NO OF INSPECTIONS REQUIRED	25
		LAST NO. USED	23

DWG STATUS				REVISION HISTORY				AUTH		DR		AP/D	
DATE	STG	REV	N/P	CHG	ZONE	Cleared Revision Column Revised [2191908, "B"] Was "A"				198480	JHH	JHH	BCD
02FE00	R	00	-	-	-	ALL PARTS - ADD TYPE TO CHART				206110	MAC	MAC	BCD
11AP06	R	02	-	-	-	12191914 - UPDATED PDM ATTRIBUTES				279535	JBD	AUG	EJH



TYPE 102  
SAME AS TYPE 101  
EXCEPT AS SHOWN

NOTES:

- UNLESS OTHERWISE SPECIFIED AND/OR INDICATED: DIMENSIONS ARE TO FACE OF VIEW SHOWN AND AUTOMATICALLY ROUNDED BY COMPUTER FOR INSPECTION. (SEE MATH MODEL FOR PRECISE DIMENSION). FOR ALL OTHER DIMENSIONS NOT SHOWN BUT REQUIRED FOR TOOL BUILD, SEE MATH MODEL FOR PRECISE TOOL PATH DATA.
- SEALING CODE 3.  
DESIGN WILL PASS SALT FOG AND IMMERSION TEST AFTER CONDITIONING AS SPECIFIED IN ESA-644 (WEATHER-PACK), ESA-710 (METRI-PACK), ESA-650 (UNDERHOOD MICRO-PACK), C-4006 (WORLD CONNECTOR), ETC. - WHEN MATED TO MATING PART OR EQUIVALENT.
- WHEN PARTS ARE SHIPPED THEY MUST BE PACKED IN PLASTIC BAGS OR SHIPPING CONTAINERS MUST BE LINED WITH PLASTIC LINERS. BAGS OR LINERS MUST BE SEALED TO AVOID ENTRY OF FOREIGN MATTER.
- ( ) INDICATES PROCESS SENSITIVE DIMENSION FOR PART PRODUCTION AND ARE TO BE USED FOR INITIAL CAPABILITY STUDY. THESE DIMENSIONS ARE ALSO TO BE MONITORED DURING NORMAL PRODUCTION.

PART NO	REV	N/P	STATUS	TYPE	MATING CONNECTOR
12191914	A5	-	-	103	12191910
12191904	A4	-	-	102	12191900
12191908	B2	-	-	101	12191905

DIMENSIONAL RANGE (MM)		TOLERANCE	
FROM	TO	±	ANGULAR TOLERANCE 2°
> 0	> 30	±0.15	
> 30	> 70	±0.2	
> 70	> 100	±0.3	
> 100	> 150	±0.4	
> 150	> 200	±0.5	
> 200	> 250	±0.6	
> 250	> 300	±0.8	
> 300	> 400	±1.0	

DWG TYPE: PART DRAWING

STYLE: D

VOLUME 10/1

DISTR CODE: D

UNLESS OTHERWISE SPECIFIED THIS DOCUMENT IS IN ACCORDANCE WITH ASME Y14.5M-1994 AS MODIFIED BY THE IN-SOURCE DIMENSIONING AND TOLERANCE ADMINISTRATION (SDTA) SYSTEM. DIMENSIONS AND TOLERANCES MAY BE BASED SEPARATELY PER DIMENSION REFERENCES.

ALL DIMENSIONS ARE IN MILLIMETERS

THIRD ANGLE PROJECTION

DO NOT SCALE

USE MATH DATA

**DELPHI**

DELPHI PACKARD ELECTRIC SYSTEMS  
WARREN, OH

DR	DATE
APV01 J VAZQUEZ S	10JN96
APV02 J VAZQUEZ S	10JN96
APV03 GARY DETTER	26JN96
APV04	
APV05	

SUBSTANCES OF CONCERN AND RECYCLED CONTENT PER DELPHI 10949001

WATER/IN SEE DWG

DRAWING NAME: TAXI COV CONN GT

DRAWING NUMBER: 12191982

SIZE	SCALE	FRAME NO	SHEET NO	STG	REV	N/P
A0	2:1	1	1	1	1	02

# Mouser Electronics

Authorized Distributor

Click to View Pricing, Inventory, Delivery & Lifecycle Information:

[Aptiv:](#)

[12191904](#) [12191908](#)