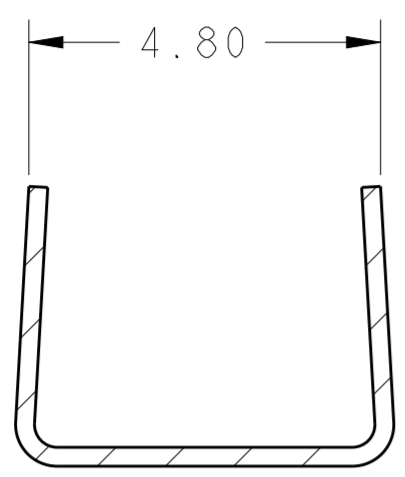
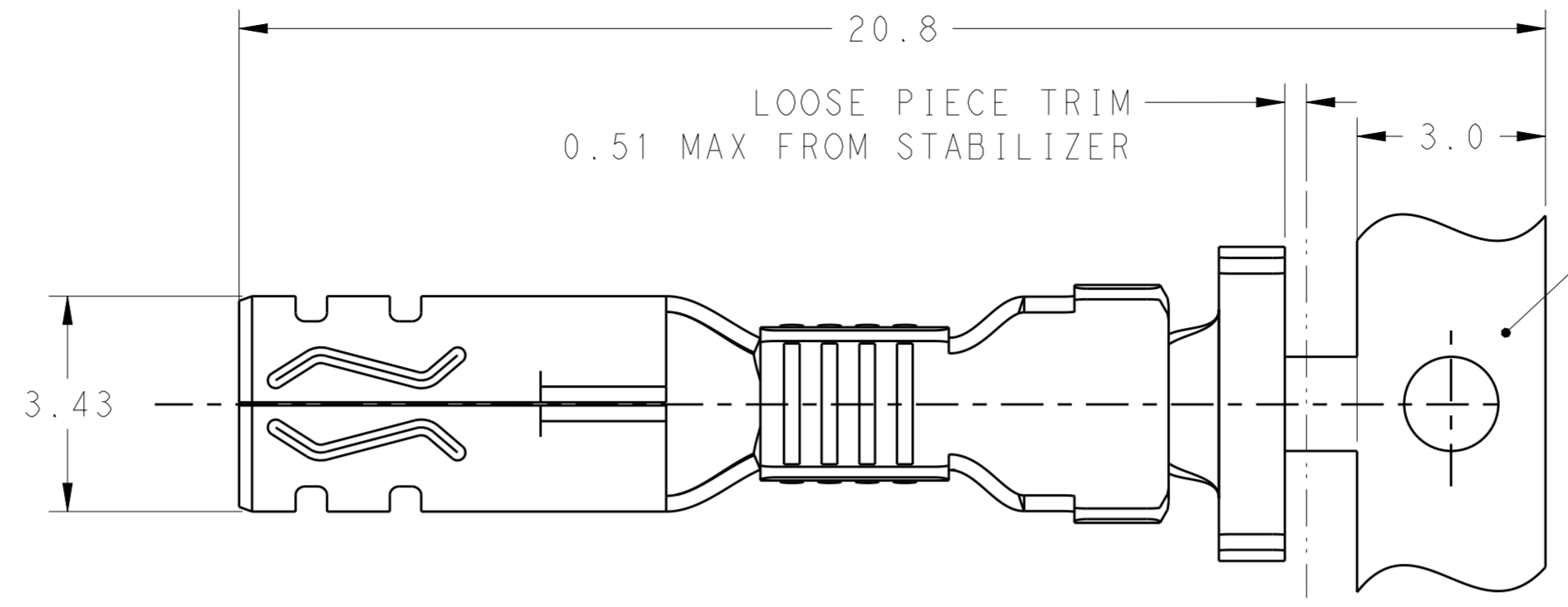


THIS DRAWING IS UNPUBLISHED. RELEASED FOR PUBLICATION 20
 © COPYRIGHT 20 BY - ALL RIGHTS RESERVED.

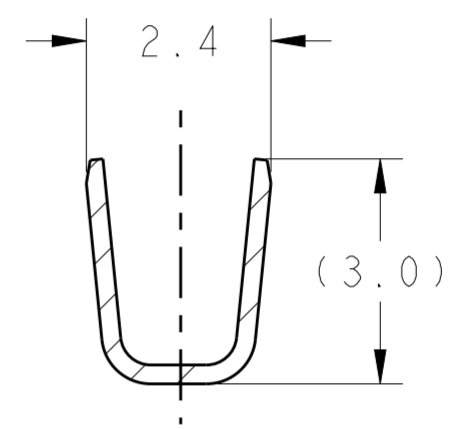
REVISIONS				
P	LTR	DESCRIPTION	DATE	APVD
D3		REVISED PER ECR-19-002195	15FEB2019	RS GJ



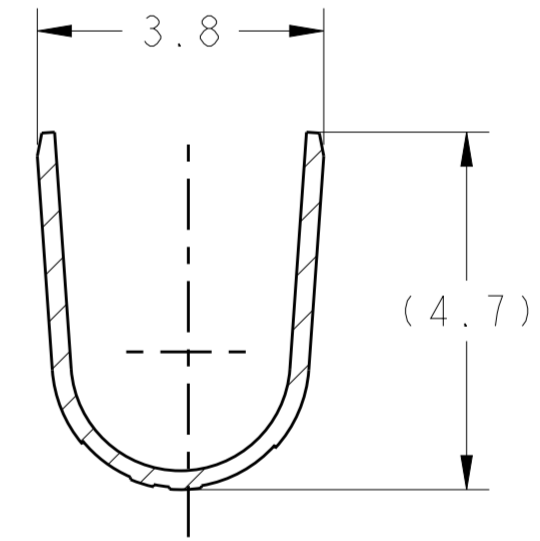
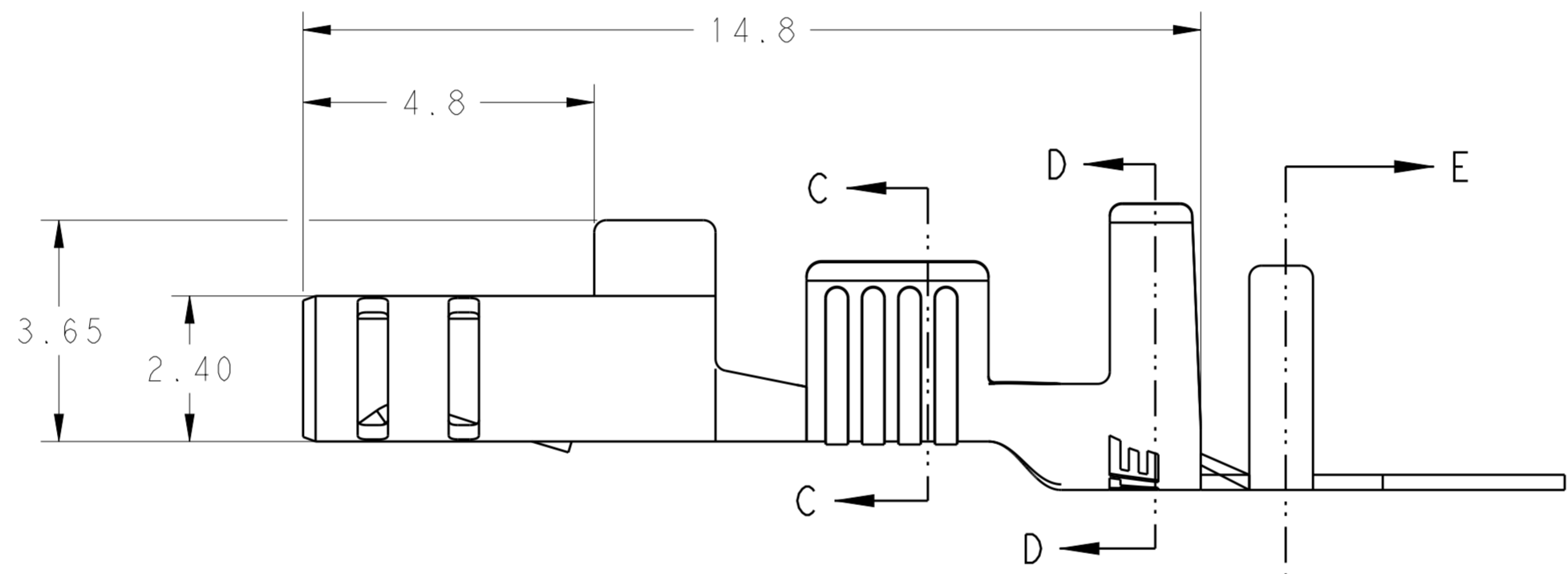
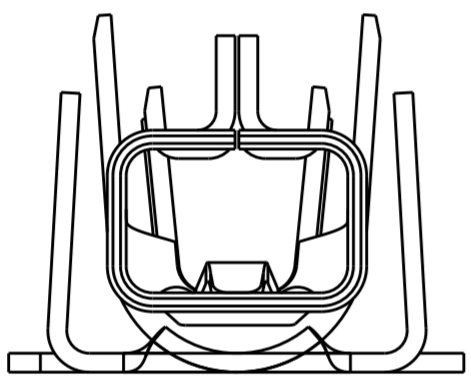
SECTION E-E



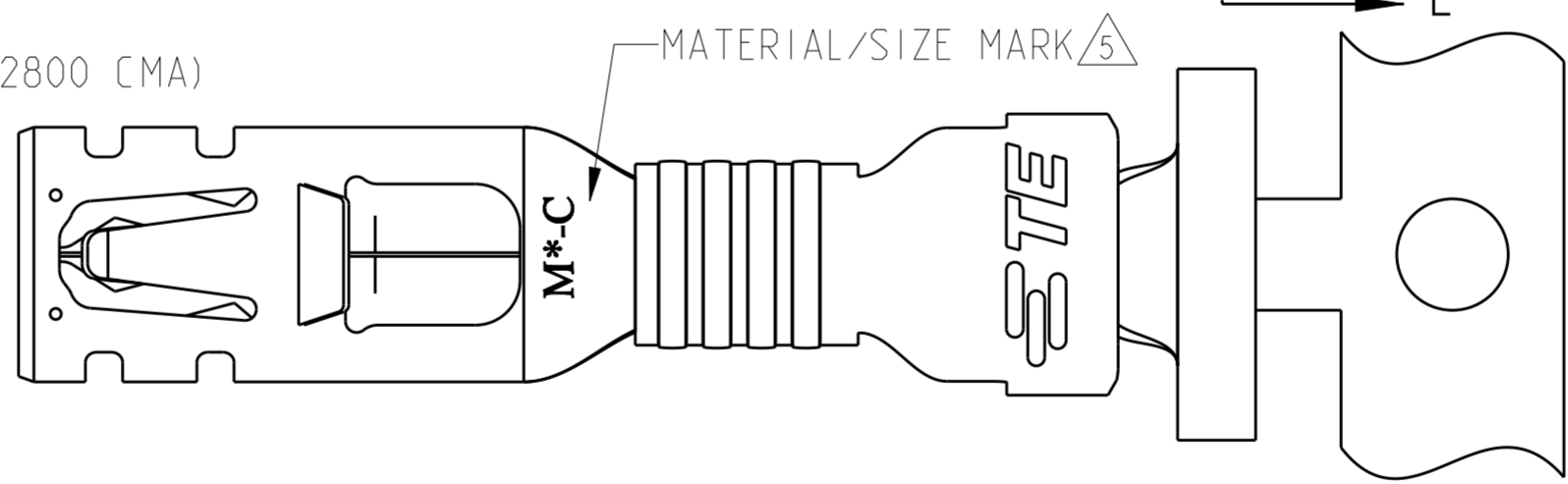
CARRIER NOT PRESENT ON LOOSE PIECE



SECTION C-C



SECTION D-D



- RECOMMENDED WIRE RANGE: 16~19AWG COPPER STRANDED(1300-2800 CMA) OR 2x 22AWG COPPER STRANDED (1300-2800 CMA TOTAL). FOR A #19 AWG WIRE THE RECOMMENDED MINIMUM CROSS-SECTIONAL AREA IS 0.65mm² (1300 CMA).
- FOR WIRE WITH AN AREA/CMA SMALLER THAN INDICATED ABOVE, RECEPTACLE 1971785-() IS RECOMMENDED.
- APPLICABLE INSULATION DIAMETER: 2.40~3.30mm. 1.80~3.30mm(2.0 mm MAX EACH WIRE FOR 2x 22AWG) WHEN AN OVERLAP INSULATION APPLICATOR IS USED.
- APPLICABLE MATED PLUG HOUSING P/N:
 -1971773-/*-1971776-*/*-1971876-*/
 -2232265-/*-2232266-*/*-2232357-*

LOOSE PIECE	COPPER ALLOY	HIGH (150°C)	M0-C	4-1971783-2
CONTINUOUS W CARRIER	COPPER ALLOY	HIGH(150°C)	M0-C	1971783-2
CONTINUOUS W CARRIER	PHOS BRONZE	STANDARD(105°C)	M1-C	1971783-1
CONFIGURATION	MATERIAL	TEMP. RATING	5 MATERIAL/SIZE MARK	PART NO

5 WIRE SIZE INDICATOR C=16-19, 2x22 AWG

6 THIS PRODUCT HAS NOT COMPLETED VALIDATION TESTING.

THIS DRAWING IS A CONTROLLED DOCUMENT.

DWN TOMMY WU 11JUL2012	 TE Connectivity	RECEPTACLE CONTACT POWER TRIPLE LOCK			
CHK HAPYE WU 11JUL2012					
APVD YUHHONG MAO 11JUL2012					
PRODUCT SPEC 108-106118					
APPLICATION SPEC 114-106118	SIZE A2	CAGE CODE 00779	DRAWING NO C-1971783	RESTRICTED TO -	
MATERIAL SEE TABLE	PRE-TIN	WEIGHT -	SCALE 6:1	SHEET 1 OF 1	REV D3

Customer Drawing