

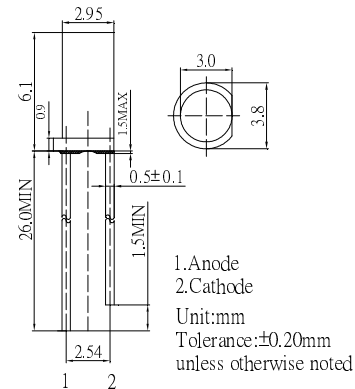
■ Features

- High Luminous LEDs
- 3mm Flat Top Standard Directivity
- Long Lifetime Operation
- UV Resistant Epoxy
- Water Clear Type

■ Applications

- Electronic Signs And Signals
- Small Area Illuminations
- Back Lighting/ Other Lighting

■ Outline Dimension

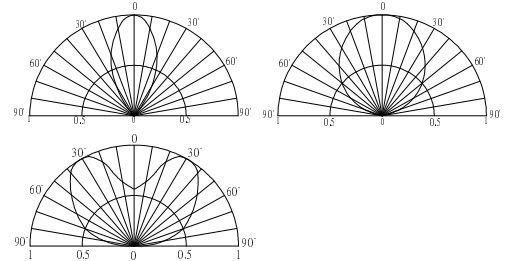


■ Absolute Maximum Rating

(Ta=25°C)

Item	Symbol	Value		Unit
		W/M/BL/PG	Y/O/R	
DC Forward Current	I _F	30	30	mA
Pulse Forward Current#	I _{FP}	100	100	mA
Reverse Voltage	V _R	5	5	V
Power Dissipation	P _D	108	78	mW
Operating Temperature	T _{opr}	-30 ~ +85		°C
Storage Temperature	T _{stg}	-40 ~ +100		°C
Lead Soldering Temperature	T _{sol}	260°C/5sec		-

■ Directivity



#Pulse width Max.10ms Duty ratio max 1/10

■ Electrical -Optical Characteristics

(Ta=25°C)

Part Number	Color		V _F (V)*			I _R (μA)	I _v (mcd)*			W _d (nm)*			2θ1/2(deg)
			Min.	Typ.	Max.	Max.	Min.	Typ.	Max.	Min.	Typ.	Max.	Typ.
			I _F =20mA			V _R =5V	I _F =20mA						
OSW5DK3NA1A	Cool White	W	2.7	2.9	3.4	10	1120	1560	-	8500-18000K(X:0.27,Y:0.28)			100
OSM5DK3NA1A	Warm White	M	2.7	2.9	3.4	10	1120	1560	-	2700-3200K(X:0.44,Y:0.41)			100
OSB5SA3N51A	Blue	BL	2.8	3.1	3.6	10	500	750	-	465	470	475	50
OSG5DA3N51A	Pure Green	PG	2.8	3.1	3.6	10	2180	3000	-	520	525	530	50
OSY5PA3N51A	Yellow	Y	1.8	2.1	2.6	10	750	1120	-	585	590	595	50
OSO5PA3N51A	Orange	O	1.8	2.1	2.6	10	750	1120	-	600	605	610	50
OSR5PA3N51A	Red	R	1.8	2.1	2.6	10	750	1120	-	620	625	630	50

*1 Tolerance of measurements of chromaticity coordinate is ±10%

*3 Tolerance of measurements of luminous intensity is ±15%

*2 Tolerance of measurements of dominant wavelength is ±1nm

*4 Tolerance of measurements of forward voltage is ±0.1V