

SACB-8/ 8-L- 5,0PUR SCO P - Sensor/actuator box



1452699

<https://www.phoenixcontact.com/us/products/1452699>

Please be informed that the data shown in this PDF document is generated from our Online Catalog. Please find the complete data in the user documentation. Our General Terms of Use for Downloads are valid.



Sensor/actuator box, application: Standard, connection method: M12-SPEEDCON-socket Plastic, number of slots: 8, number of positions: 4, coding: A, slot assignment: single, status display: Yes, pnp; master cable connection: Fixed connection 180°, PUR/PVC, cable length: 5 m, shielding: no

Your advantages

- Safety in the field, thanks to molded housing and high degree of protection
- Convenient: increased machine availability thanks to quick and easy diagnostics
- Save time, thanks to installation with SPEEDCON fast locking system

Commercial Data

Item number	1452699
Packing unit	1 pc
Minimum order quantity	1 pc
Sales Key	BF41
Product Key	BF3CBA
Catalog Page	Page 262 (C-2-2019)
GTIN	4046356553988
Weight per Piece (including packing)	770.3 g
Weight per Piece (excluding packing)	770.2 g
Customs tariff number	85444290
Country of origin	DE

Technical Data

Notes

Assembly instruction:	NOTE: Observe the permissible bending radii when laying conductors, since the degree of protection may be put in jeopardy if the bending forces are too high. Alleviate mechanical loads upstream of the connector, e.g. by using cable ties.
Note on application	Unused slots are to be sealed off prior to commissioning. Suitable sealing elements are to be found under "Accessories".

Product properties

Product type	Distributor boxes with M8 to M12 slots
Number of positions	4
Application	Standard
Number of slots	8
Coding	A

Material specifications

Color	anthracite
Material Threaded sleeve	PBT
Material Housing	PBT
Material Molding compound	PUR
Flammability rating according to UL 94	V0
Seal material O-ring	NBR
Contact material	Cu alloy
Contact surface material	gold-plated
Contact carrier material	PA

Connection data

Pin assignment

Slot/position = Wire color or connection	1 / 4 (A) = WH
	2 / 4 (A) = GN
	3 / 4 (A) = YE
	4 / 4 (A) = GY
	5 / 4 (A) = PK
	6 / 4 (A) = RD
	7 / 4 (A) = BK
	8 / 4 (A) = VT
	1-8 / 1 (+ 24 V) = BN
	1-8 / 3 (0 V) = BU
1-8 / 5 (PE) = GNYE	

LED signaling

Status display present	Yes
------------------------	-----

SACB-8/ 8-L- 5,0PUR SCO P - Sensor/actuator box



1452699

<https://www.phoenixcontact.com/us/products/1452699>

Electrical properties

Max. operating voltage U_{max}	30 V DC
Local diagnostics	Supply voltage Green LED
	Status display I/O Yellow LED
Nominal voltage U_N	24 V DC
Rated current, total	12 A
Max. current carrying capacity per path	2 A
Current carrying capacity per slot	4 A

Cable/line

Cable length	5 m
--------------	-----

Standards and regulations

Standards/specifications	IEC 61076-2-101
--------------------------	-----------------

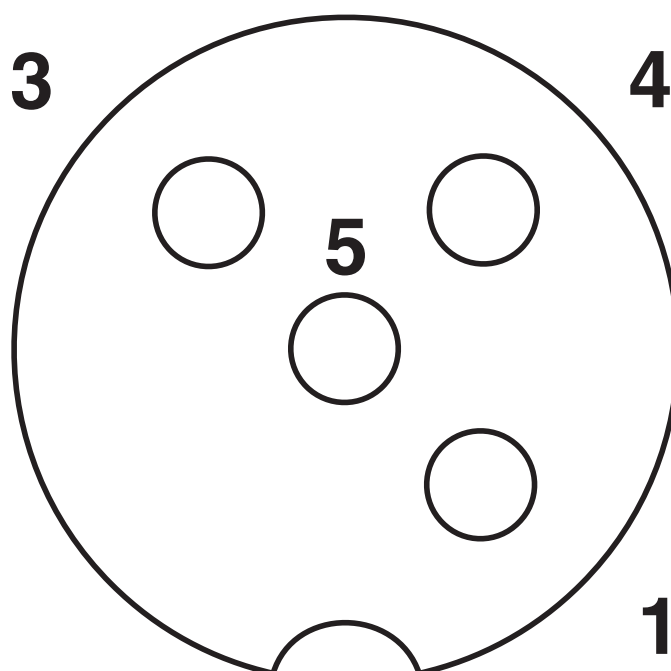
Environmental and real-life conditions

Ambient conditions

Degree of protection	IP65
	IP67
Ambient temperature (operation)	-25 °C ... 80 °C

Drawings

Schematic diagram



M12 slot, socket, 4-pos.

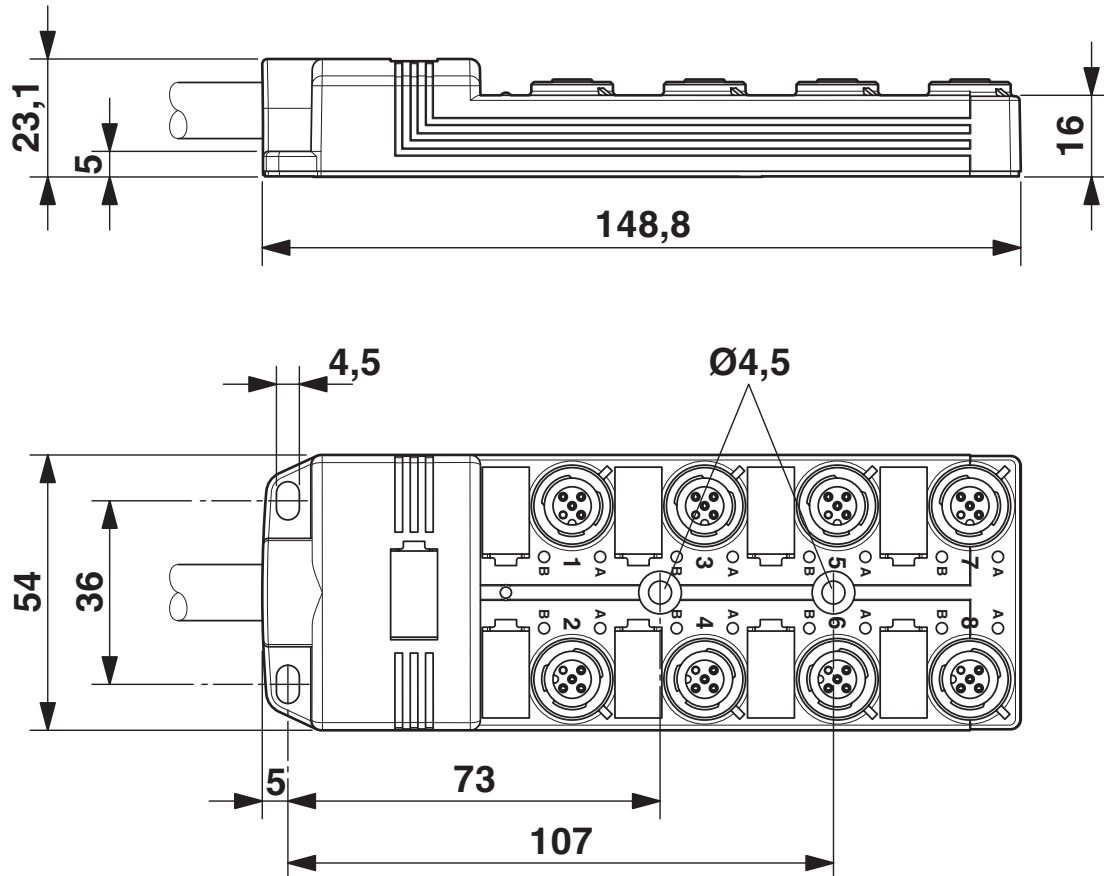
SACB-8/ 8-L- 5,0PUR SCO P - Sensor/actuator box



1452699

<https://www.phoenixcontact.com/us/products/1452699>

Dimensional drawing



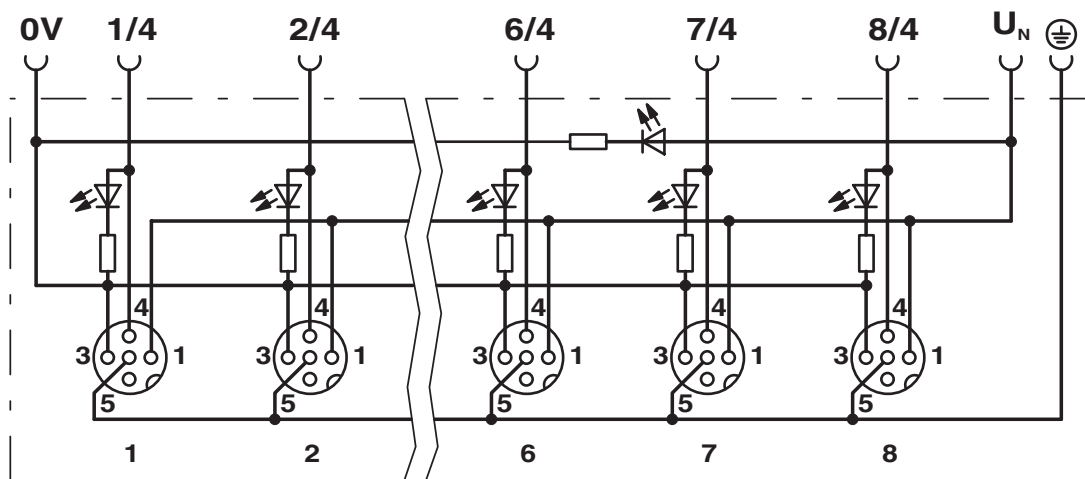
SACB-8/ 8-L- 5,0PUR SCO P - Sensor/actuator box



1452699

<https://www.phoenixcontact.com/us/products/1452699>

Circuit diagram



SACB-8/ 8-L- 5,0PUR SCO P - Sensor/actuator box



1452699

<https://www.phoenixcontact.com/us/products/1452699>

Approvals



cUL Recognized
Approval ID: FILE E 118976



UL Recognized
Approval ID: FILE E 118976

SACB-8/ 8-L- 5,0PUR SCO P - Sensor/actuator box



1452699

<https://www.phoenixcontact.com/us/products/1452699>

Classifications

ECLASS

ECLASS-10.0.1	27440108
ECLASS-11.0	27440108
ECLASS-12.0	27440108
ECLASS-13.0	27440108

ETIM

ETIM 8.0	EC002585
----------	----------

UNSPSC

UNSPSC 21.0	31251500
-------------	----------

SACB-8/ 8-L- 5,0PUR SCO P - Sensor/actuator box



1452699

<https://www.phoenixcontact.com/us/products/1452699>

Environmental Product Compliance

China RoHS	Environmentally friendly use period: unlimited = EFUP-e
	No hazardous substances above threshold values

SACB-8/ 8-L- 5,0PUR SCO P - Sensor/actuator box



1452699

<https://www.phoenixcontact.com/us/products/1452699>

Accessories

PROT-MS SCO - Screw plug

1553129

<https://www.phoenixcontact.com/us/products/1553129>



M12 screw plug with fast-locking system for unoccupied M12 female connectors of sensor/actuator cables, boxes, and flush-type connectors

TSD 04 SAC - Torque screwdriver

1208429

<https://www.phoenixcontact.com/us/products/1208429>



Torque screwdriver, with preset torque of 0.4 Nm and 4 mm hexagonal drive for M12 connectors

SACB-8/ 8-L- 5,0PUR SCO P - Sensor/actuator box



1452699

<https://www.phoenixcontact.com/us/products/1452699>

TSD-M 1,2NM - Torque screwdriver

1212224

<https://www.phoenixcontact.com/us/products/1212224>



Torque screw driver, accuracy as per EN ISO 6789 standard, adjustable from 0.3 - 1.2 Nm

TSD-M SAC-BIT ADAPTER - Adapter insert

1212600

<https://www.phoenixcontact.com/us/products/1212600>



Adapter bit for TSD-M...torque tools, E6.3-1/4" drive with 4 mm hexagon to accommodate SAC bits

SACB-8/ 8-L- 5,0PUR SCO P - Sensor/actuator box



1452699

<https://www.phoenixcontact.com/us/products/1452699>

SAC BIT M12-D15 - Tool

1208432

<https://www.phoenixcontact.com/us/products/1208432>



Nut for assembling sensor/actuator cables with M12 connector and M12 connectors for assembly, with a knurl diameter of 15 mm, for 4 mm hexagonal drive

SACC BIT M12-D20 - Tool

1208445

<https://www.phoenixcontact.com/us/products/1208445>



Nut for assembling M12 connectors for assembly with a knurl diameter of 20 mm, for 4 mm hexagonal drive

SACB-8/ 8-L- 5,0PUR SCO P - Sensor/actuator box



1452699

<https://www.phoenixcontact.com/us/products/1452699>

UC-EM (17,5X9) - Snap-in markers

0827490

<https://www.phoenixcontact.com/us/products/0827490>



Snap-in markers, Sheet, white, unlabeled, can be labeled with: BLUEMARK ID, BLUEMARK ID COLOR, BLUEMARK CLED, BLUEMARK LED, CMS-P1-PLOTTER, PLOTMARK, mounting type: snapped, lettering field size: 17.5 x 9 mm, Number of individual labels: 20

UC-EM (17,5X9) CUS - Snap-in markers

0828238

<https://www.phoenixcontact.com/us/products/0828238>



Snap-in markers, can be ordered: by sheet, white, labeled according to customer specifications, mounting type: snapped into marker carrier, lettering field size: 17.5 x 9 mm, Number of individual labels: 20

SACB-8/ 8-L- 5,0PUR SCO P - Sensor/actuator box



1452699

<https://www.phoenixcontact.com/us/products/1452699>

UCT-EM (17,5X9) - Snap-in markers

0801491

<https://www.phoenixcontact.com/us/products/0801491>



Snap-in markers, Sheet, white, unlabeled, can be labeled with: TOPMARK NEO, TOPMARK LASER, BLUEMARK ID COLOR, BLUEMARK ID, BLUEMARK CLED, THERMOMARK PRIME, THERMOMARK CARD 2.0, THERMOMARK CARD, mounting type: snapped, lettering field size: 17.5 x 9 mm, Number of individual labels: 24

UCT-EM (17,5X9) CUS - Snap-in markers

0801575

<https://www.phoenixcontact.com/us/products/0801575>



UniCard sheet, for labeling devices from other manufacturers, for overview table see download area, labeled according to customer specifications

SACB-8/ 8-L- 5,0PUR SCO P - Sensor/actuator box



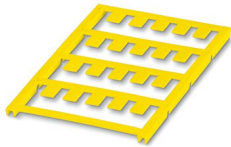
1452699

<https://www.phoenixcontact.com/us/products/1452699>

UC-EM (17,5X9) YE - Snap-in markers

0827494

<https://www.phoenixcontact.com/us/products/0827494>

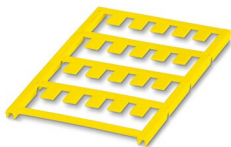


Snap-in markers, Sheet, yellow, unlabeled, can be labeled with: BLUEMARK ID COLOR, BLUEMARK ID, BLUEMARK CLED, PLOTMARK, CMS-P1-PLOTTER, mounting type: snapped, lettering field size: 17.5 x 9 mm, Number of individual labels: 20

UC-EM (17,5X9) YE CUS - Snap-in markers

0828239

<https://www.phoenixcontact.com/us/products/0828239>



Snap-in markers, can be ordered: by sheet, yellow, labeled according to customer specifications, mounting type: snapped into marker carrier, lettering field size: 17.5 x 9 mm, Number of individual labels: 20

SACB-8/ 8-L- 5,0PUR SCO P - Sensor/actuator box



1452699

<https://www.phoenixcontact.com/us/products/1452699>

UCT-EM (17,5X9) YE - Snap-in markers

0801492

<https://www.phoenixcontact.com/us/products/0801492>



Snap-in markers, Sheet, yellow, unlabeled, can be labeled with: TOPMARK NEO, TOPMARK LASER, BLUEMARK ID COLOR, BLUEMARK ID, BLUEMARK CLED, THERMOMARK PRIME, THERMOMARK CARD 2.0, THERMOMARK CARD, mounting type: snapped, lettering field size: 17.5 x 9 mm, Number of individual labels: 24

UCT-EM (17,5X9) YE CUS - Snap-in markers

0801576

<https://www.phoenixcontact.com/us/products/0801576>



UniCard sheet, for labeling devices from other manufacturers, for overview table see download area, labeled according to customer specifications

SACB-8/ 8-L- 5,0PUR SCO P - Sensor/actuator box

1452699

<https://www.phoenixcontact.com/us/products/1452699>



UTA 136 - DIN rail adapter

2853996

<https://www.phoenixcontact.com/us/products/2853996>

Universal DIN rail adapter, for screwing on switchgear



Phoenix Contact 2023 © - all rights reserved

<https://www.phoenixcontact.com>

Phoenix Contact USA
586 Fulling Mill Road
Middletown, PA 17057, United States
(+717) 944-1300
info@phoenixcon.com