

| LOC |     | DIST                        |           | REVISIONS |      |  |  |
|-----|-----|-----------------------------|-----------|-----------|------|--|--|
| P   | LTN | DESCRIPTION                 | DATE      | DMN       | APVD |  |  |
| A1  |     | REVISED PER PCN E-17-003750 | 13JUL2017 | JA        | DM   |  |  |
| B   |     | REVISED PER PCN E-17-010843 | 21MAR2018 | JA        | DM   |  |  |
| B1  |     | REVISED PER PCN E-18-013976 | 03SEP2018 | SS        | DM   |  |  |
| B2  |     | REVISED PER PCN E-19-004598 | 15MAR2019 | DD        | DM   |  |  |

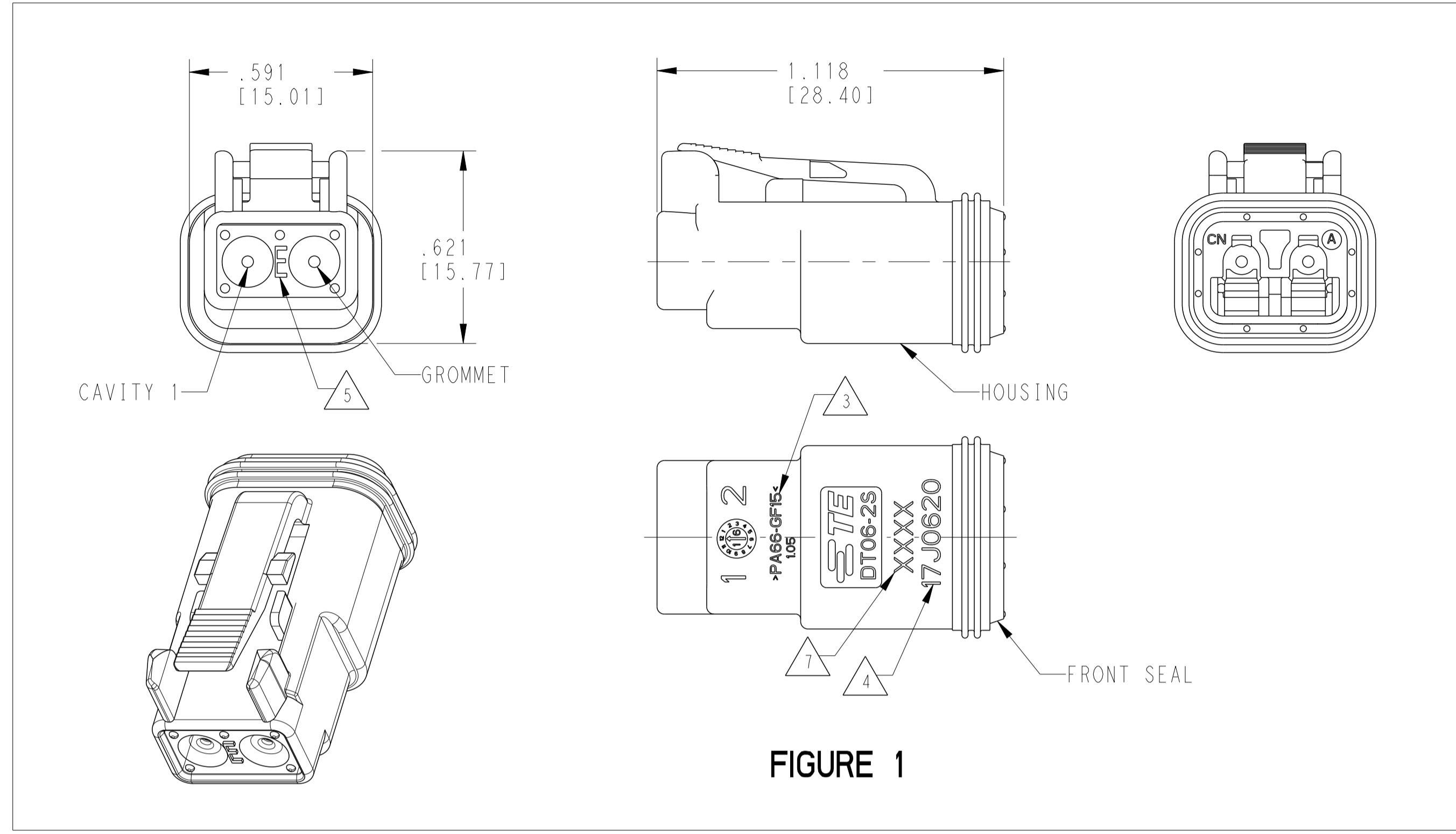


FIGURE 1

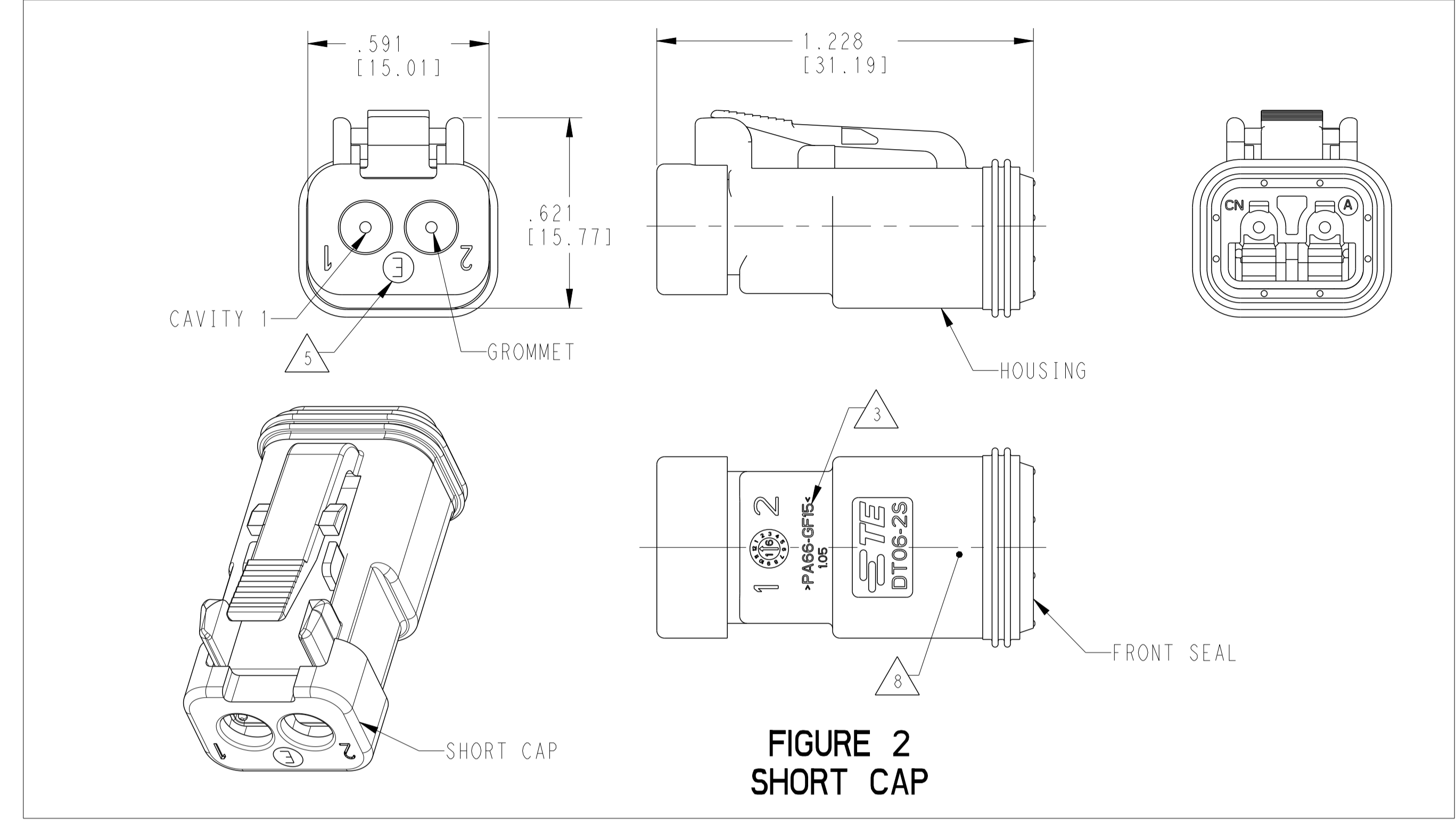


FIGURE 2  
SHORT CAP

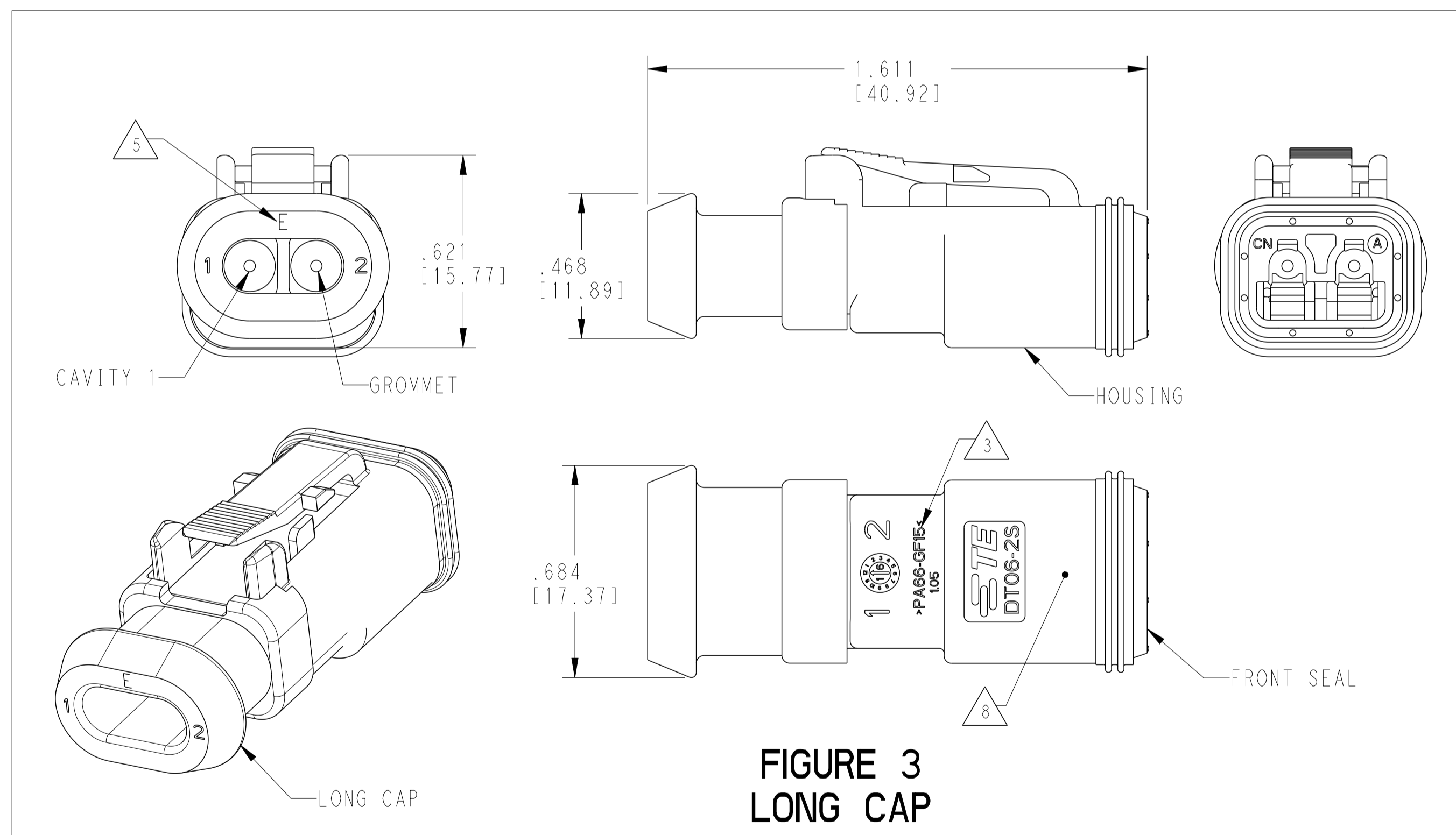


FIGURE 3  
LONG CAP

| CONTACT SIZE | WIRE RANGE                             | INSULATION OD SEALING RANGE | SEAL IDENTIFICATION       |
|--------------|--|-----------------------------|---------------------------|
| 16           | 14-20 AWG<br>[2.5-0.5mm <sup>2</sup> ] | .088 - .145<br>[2.23-3.68]  | STANDARD SEAL             |
|              |  | .053 - .120<br>[1.35-3.05]  | EXTRA THIN SEAL<br>E-SEAL |

| TE INTERNAL PART NUMBER | DEUTSCH PART NUMBER | PN REV | COLOR | STANDARD SEAL GROMMET | EXTRA THIN SEAL E-SEAL GROMMET | SHORT CAP | LONG CAP | FIGURE |
|-------------------------|---------------------|--------|-------|-----------------------|--------------------------------|-----------|----------|--------|
| DT06-2S                 | DT06-2S             | A      | GREY  | X                     |                                |           |          | 1      |
| DT06-2S-C015            | DT06-2S-C015        | E      | GREY  |                       | X                              |           |          | 1      |
| DT06-2S-CE01            | DT06-2S-CE01        | C      | GREY  |                       | X                              | X         |          | 2      |
| DT06-2S-CE03            | DT06-2S-CE03        | A      | BLACK |                       | X                              | X         |          | 2      |
| DT06-2S-CE04            | DT06-2S-CE04        | A      | GREY  |                       | X                              |           | X        | 3      |
| DT06-2S-CE05            | DT06-2S-CE05        | A      | BLACK |                       | X                              | X         |          | 2      |
| DT06-2S-CE06            | DT06-2S-CE06        | A      | BLACK |                       | X                              |           |          | 1      |
| DT06-2S-CE13            | DT06-2S-CE13        | A      | BLACK |                       | X                              |           | X        | 3      |
| DT06-2S-E003            | DT06-2S-E003        | A      | GREY  | X                     |                                | X         |          | 2      |
| DT06-2S-E004            | DT06-2S-E004        | A      | BLACK | X                     |                                |           |          | 1      |
| DT06-2S-E005            | DT06-2S-E005        | A      | BLACK | X                     |                                | X         |          | 2      |
| DT06-2S-E008            | DT06-2S-E008        | A      | GREY  | X                     |                                |           | X        | 3      |
| DT06-2S-EP04            | DT06-2S-EP04        | B      | GREY  | X                     |                                | X         |          | 2      |
| DT06-2S-EP06            | DT06-2S-EP06        | B      | BLACK | X                     |                                | X         |          | 2      |
| DT06-2S-EP11            | DT06-2S-EP11        | A      | BLACK | X                     |                                |           | X        | 3      |
| DT06-2S-P004            | DT06-2S-P004        | A      | GREY  | X                     |                                |           |          | 1      |
| DT06-2S-P012            | DT06-2S-P012        | A      | BLACK | X                     |                                |           |          | 1      |

3 MATERIAL: HOUSING: PA66 GF15, SEE TABLE FOR COLOR  
 SHORT, LONG CAP: PA66 GF15, SEE TABLE FOR COLOR  
 GROMMET: VMQ (RED-ORANGE)  
 FRONT SEAL: VMQ (RED-ORANGE),

2. THIS PLUG MATES WITH DT04-2P-XXXX RECEPTACLE.  
 (XXXX = ALL MODIFICATIONS)

1. SECONDARY WEDGE LOCK SOLD SEPARATELY: W2SX-XXXX.  
 (X = A,B,C,D KEY, XXXX = ALL MODIFICATIONS)  
 W2S OR W2S-P012 MAY BE USED WITH THESE PLUGS,  
 W2S-P012 IS RECOMMENDED.

7 XXXX IDENTIFIES THE MODIFICATION NUMBER,  
 IF APPLICABLE. EXAMPLE: "E003" FOR DT06-2S-E003,  
 OR BLANK FOR DT06-2S.

6. FOR CONTACTS AND WIRE PERFORMANCE AND APPLICATION  
 CHARACTERISTICS SEE CUSTOMER DRAWING 0425-015-0000.

5 "E" IDENTIFIES E-SEAL.

4 DATE CODE: IDENTIFIES THE YEAR, MONTH, DAY AND HOUR OF ASSEMBLY.  
 YEAR: FIRST AND SECOND DIGITS. (17 = 2017)  
 MONTH: THIRD DIGIT, EXCLUDING I, A = JAN, B = FEB,  
 C = MARCH . . . (K = OCTOBER)  
 DAY: FOURTH AND FIFTH DIGITS (14 = 14th DAY)  
 HOUR: SIXTH AND SEVENTH DIGITS (11 = 11AM)

8 ADDITIONAL MARKING PER NOTE 4 AND 7  
 EXCLUSIVELY FOR PARTS WITH CAPS PRODUCED  
 IN CHINA.

NOTES: UNLESS OTHERWISE SPECIFIED

THIS DRAWING IS A CONTROLLED DOCUMENT. DWN: J. JAIME C. APOSTOL 24OCT2016  
 CHK: D. MEYER 24OCT2016  
 APVD: D. MEYER 24OCT2016

TE Connectivity

2 WAY PLUG, STANDARD SEAL  
 EXTRA THIN SEAL, SHORT CAP AND  
 LONG CAP, DT SERIES

SIZE: A1 CAGE CODE: 4AFU8 DRAWING NO: DT06-2S-XXXX  
 WEIGHT: 0.425-0.17-0000  
 MATERIAL: PA66 GF15 FINISH: 40°30'00"

CUSTOMER DRAWING SCALE: 3:1 SHEET: 1 OF 1 REV: B2