

Tous droits strictement réservés. Reproduction ou communication a des tiers interdite sous quelque forme que ce soit sans autorisation écrite du propriétaire. Propriété de c FCI. Droits de reproduction FCI.

**FCI**

All rights strictly reserved. Reproduction or issue to third parties in any form whatever is not permitted without written authority from the proprietor. Property of FCI. Copyright FCI.

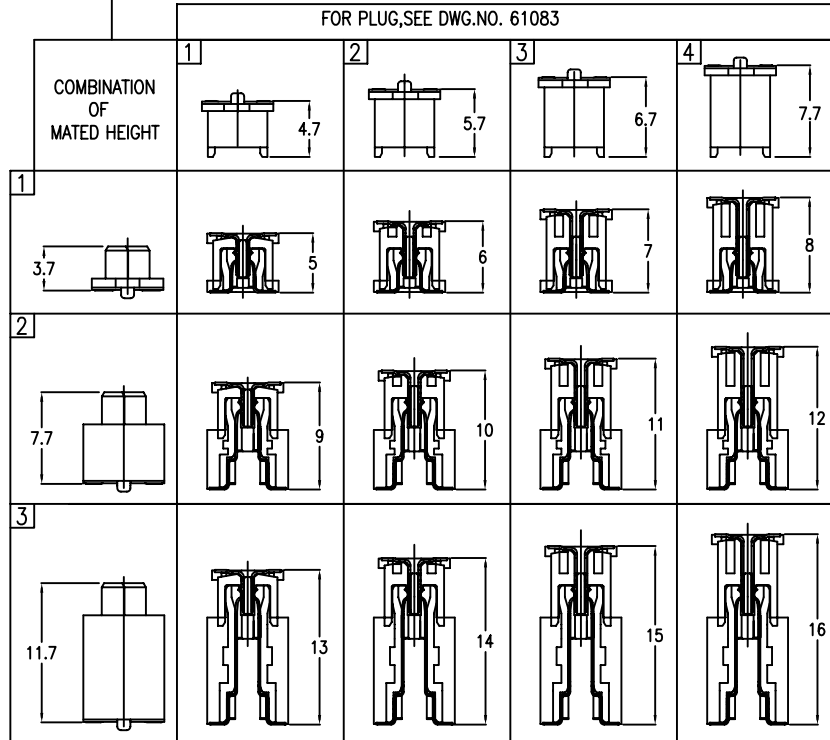
1 | 2

3 |

4

61082-□□□□□□

NUMBER OF POSITIONS	
04	2 X20
06	2 X30
08	2 X40
10	2 X50
12	2 X60
14	2 X70
16	2 X80
18	2 X90
20	2 X100



PACKAGING	
0	TUBE WITHOUT CAP
2	TAPE & REEL WITH CAP
9	TUBE WITH CAP
3	TRAY WITH CAP

POLARIZATION PEG		HOLD DOWN	
0	YES	NO	NO
2	NO	NO	NO

PLATING ON CONTACT AREA		
0	GOLD 0.2 um MIN. / TIN LEAD SOLDER	(EMPTY)
1	PALLADIUM-NICKEL 0.76 umMIN. WITH GOLD FLASH (0.1 um MIN.) / TIN LEAD SOLDER	(EMPTY)
4	GOLD 0.2um MIN. / MATT PURE TIN ON SOLDER TAIL (LEAD FREE PLATING)	LF (note 7&8.)
5	GOLD 0.38um MIN. / MATT PURE TIN ON SOLDER TAIL (LEAD FREE PLATING)	LF (note 7.)
6	PALLADIUM-NICKEL 0.76 umMIN. WITH GOLD FLASH (0.1 um MIN.) / MATT PURE TIN SOLDER (LEAD FREE PLATING)	LF (note 7&8.)

NOTES:

- MATERIAL  
HOUSING: G.F.LCP UL94V-0  
TERMINAL: BERYLLIUM COPPER.
- PLATING  
AS TABLE SHOW.
- SEE GS-12-148 FOR PRODUCT SPECIFICATION.
- SEE GS-14-551 AND GS-14-816 FOR PACKAGING SPECIFICATION.
- PACKING OPTION 3: "CUSTOMER-SPECIFIC PACKAGING; LIMITED TO CERTAIN SIZES."  
PACKING OPTION 2: "NOT ALL SIZES ARE AVAILABLE; CHECK WITH FACTORY"
- THE HOUSING WILL WITHSTAND EXPOSURE TO 260°C PEAK TEMPERATURE FOR 10 SECONDS IN A CONVECTION, INFRA-RED OR VAPOR PHASE REFLOW OVEN
- THIS PRODUCT MEETS EUROPEAN UNION DIRECTIVES AND OTHER COUNTRY REGULATIONS AS DESCRIBED IN GS-22-008

⑧ PLATING OPTION '4' IS LEADFREE ALTERNATIVE FOR OPTION '0', AND OPTION '6' IS LEADFREE ALTERNATIVE FOR OPTION '1'.

mat'l. code				tolerances unless otherwise specified				CUSTOMER COPY		 www.fciconnect.com	
ltr	ecn no	dr	date	linear	.X ± 0.20			projection		title	
N	T03-0422	M W	09/24/03		.XX ± 0.15					0.8mm BOARD TO BOARD RECEPTACLE ASS'Y	
P	T03-0458	M W	10/17/03		.XXX ± 0.10					product family BERGSTAK code	
R	S03-170	M W	01/30/04		angles	0° ±2°				size dwg no	
S	T04-0094	M W	03/05/04	dr	MAGGIE WU	03/26/99	MM		A4		
T	S04-0133	M W	06/23/04	engr	YU WEN CHU	03/26/99			61082		
U	S04-0167	C H	07/30/04	chr	CHEN HONG	03/31/05			sheet		
V	S05-0098	C H	03/31/05	appd	NG JOEY	03/31/05			1 of 6		
sheet index	revision sheet	V	R	P	R	R	P				
		1	2	3	4	5	6				

1 | 2

3 |

4

ACAD

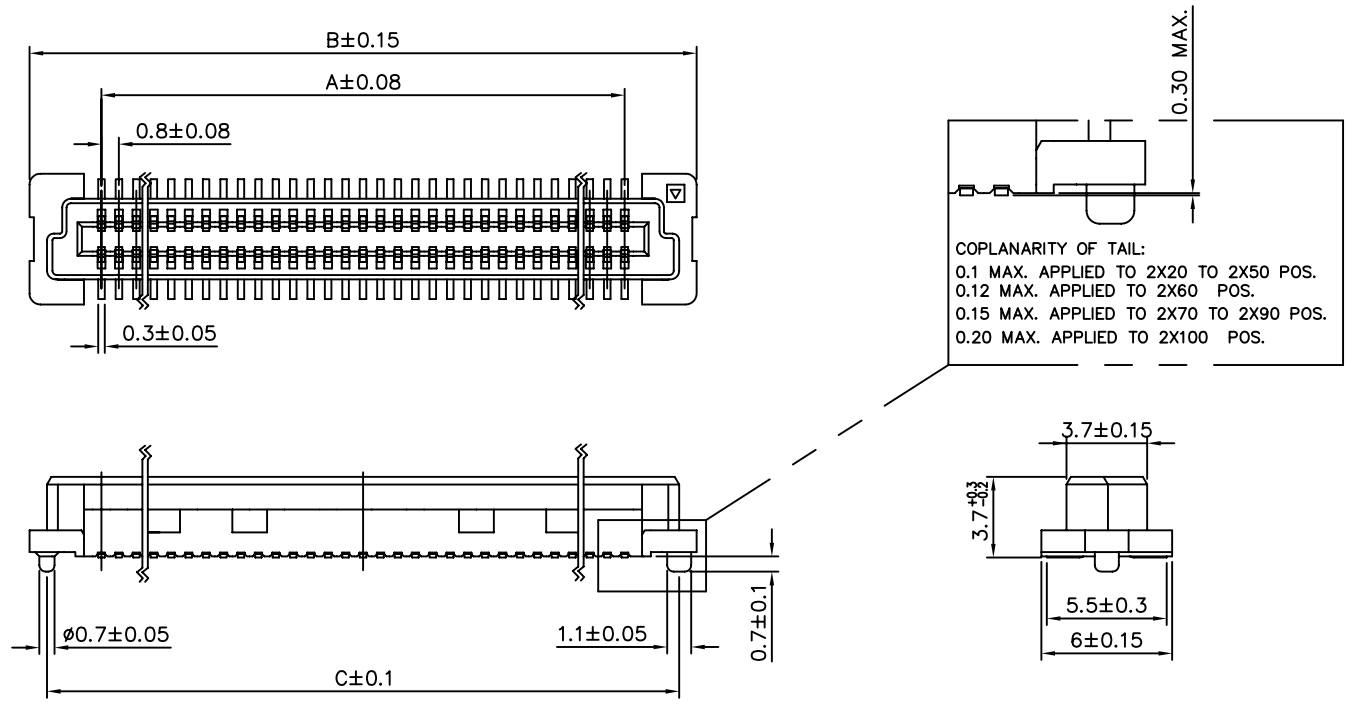
PDM: Rev:V

STATUS: Released

Printed: Aug 03, 2006

cage code  
22526

PRODUCT NO.	NUMBER OF POSITIONS	DIMENSION		
		A	B	C
61082-041***	2 X20	15.2	21.8	20.2
61082-061***	2 X30	23.2	29.8	28.2
61082-081***	2 X40	31.2	37.8	36.2
61082-101***	2 X50	39.2	45.8	44.2
61082-121***	2 X60	47.2	53.8	52.2
61082-141***	2 X70	55.2	61.8	60.2
61082-161***	2 X80	63.2	69.8	68.2
61082-181***	2 X90	71.2	77.8	76.2
61082-201***	2 X100	79.2	85.8	84.2



RECEPTACLE 1

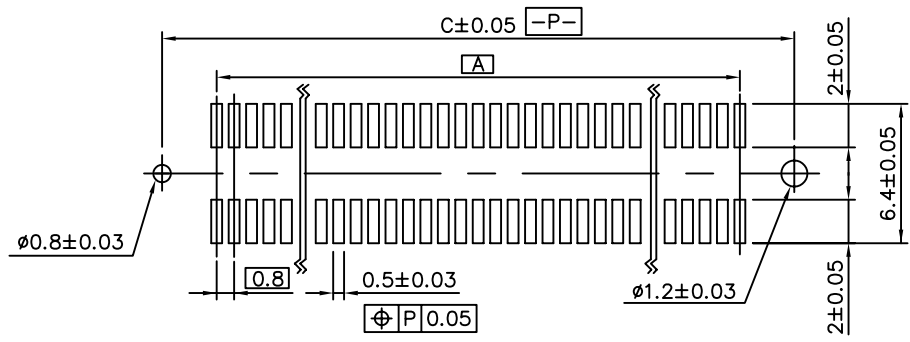
Tous droits strictement reserves. Reproduction ou communication a des tiers interdite sous quelque forme que ce soit sans autorisation ecrite du proprietaire. Propriete de c FCI. Droits de reproduction FCI.



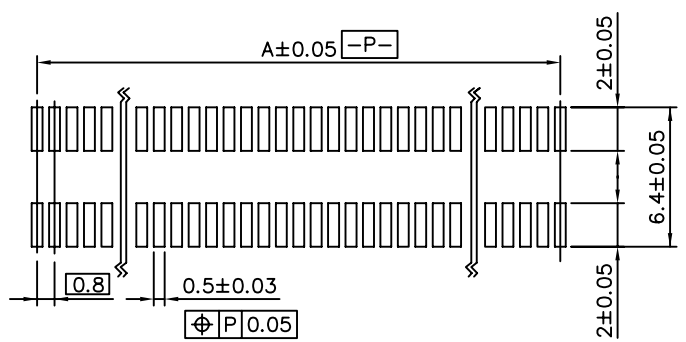
All rights strictly reserved. Reproduction or issue to third parties in any form whatever is not permitted without written authority from the proprietor. Property of FCI. Copyright FCI.

mat'l. code				tolerances unless otherwise specified		CUSTOMER COPY		 www.fciconnect.com		
ltr	ecn no	dr	date	linear	.X ± 0.20	projection		title		
R					.XX ± 0.15			0.8mm BOARD TO BOARD RECEPTACLE ASS'Y		
					.XXX ± 0.10					
				angles	0° ±2°	 MM	 3:1	product family		
				dr	MAGGIE WU 03/26/99			BERGSTAK		code
				engr	YU WEN CHU 03/26/99			size		dwg no
				chr	YU WEN CHU 03/26/99			A4		61082
				appd	JOSEPH HSIA 03/26/99			sheet	2 of	
sheet index		revision sheet						cage code		
								22526		

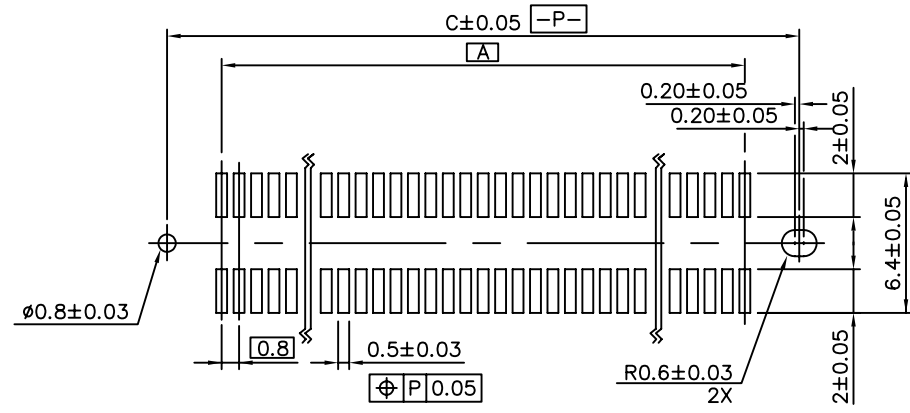
FOR RECEPTACLE 1



RECOMMENDED PCB LAYOUT WITH PEG  
FOR NO. OF POSITION 2X20, 2X30, 2X40, 2X50, 2X60



RECOMMENDED PCB LAYOUT WITHOUT PEG AND HOLDDOWN



RECOMMENDED PCB LAYOUT WITH PEG  
FOR NO. OF POS. 2X70, 2X80, 2X90, 2X100

Tous droits strictement reserves. Reproduction ou communication a des tiers interdite sous quelque forme que ce soit sans autorisation ecrite du proprietaire. Propriete de c FCI. Droits de reproduction FCI.



All rights strictly reserved. Reproduction or issue to third parties in any form whatever is not permitted without written authority from the proprietor. Property of FCI. Copyright FCI.

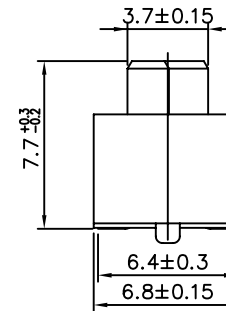
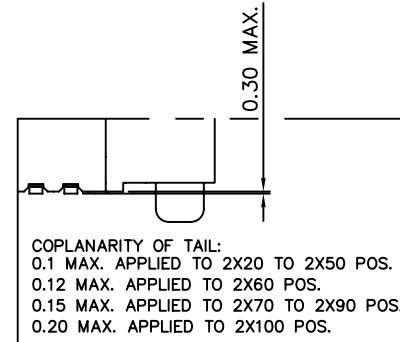
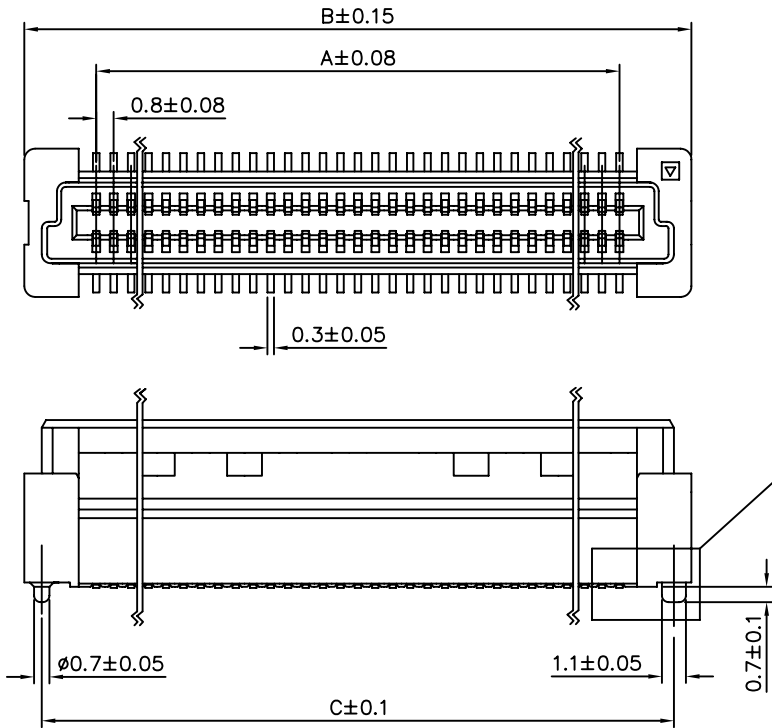
mat'l. code				tolerances unless otherwise specified		CUSTOMER COPY	 www.fciconnect.com	
ltr	ecn no	dr	date	linear	.X ± 0.20			
P					.XX ± 0.15		0.8mm BOARD TO BOARD RECEPTACLE ASS'Y	
				angles	.XXX ± 0.10			MM
				dr	0° ±2°	scale	BERGSTAK	
				engr	MAGGIE WU 03/26/99			3:1
				chr	YU WEN CHU 03/26/99	size	61082	
				appd	JOSEPH HSIA 03/26/99			sheet
sheet index	revision sheet							

Tous droits strictement réservés. Reproduction ou communication a des tiers interdite sous quelque forme que ce soit sans autorisation écrite du propriétaire. Propriété de c FCI. Droits de reproduction FCI.

**FCI**

All rights strictly reserved. Reproduction or issue to third parties in any form whatever is not permitted without written authority from the proprietor. Property of FCI. Copyright FCI.

PRODUCT NO.	NUMBER OF POSITIONS	DIMENSION		
		A	B	C
61082-042***	2 X20	15.2	21.8	20.2
61082-062***	2 X30	23.2	29.8	28.2
61082-082***	2 X40	31.2	37.8	36.2
61082-102***	2 X50	39.2	45.8	44.2
61082-122***	2 X60	47.2	53.8	52.2
61082-142***	2 X70	55.2	61.8	60.2
61082-162***	2 X80	63.2	69.8	68.2
61082-182***	2 X90	71.2	77.8	76.2
61082-202***	2 X100	79.2	85.8	84.2



RECEPTACLE 2

mat'l. code				tolerances unless otherwise specified		CUSTOMER COPY		<b>FCI</b> www.fciconnect.com			
ltr	ecn no	dr	date	linear	.X ± 0.20	projection		title			
R					.XX ± 0.15			0.8mm BOARD TO BOARD RECEPTACLE ASS'Y		code	
					.XXX ± 0.10			product family BERGSTAK		size/dwg no	
				angles	0° ±2°	MM		scale			
				dr	MAGGIE WU 03/26/99			A4		61082	
				engr	YU WEN CHU 03/26/99			sheet		4 of	
				chr	YU WEN CHU 03/26/99			appd		JOSEPH HSIA 03/26/99	
sheet index	revision sheet										

cage code 22526

ACAD

PDM: Rev:V

STATUS: Released

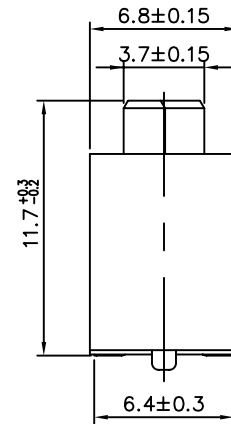
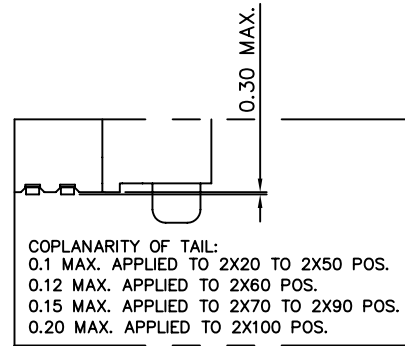
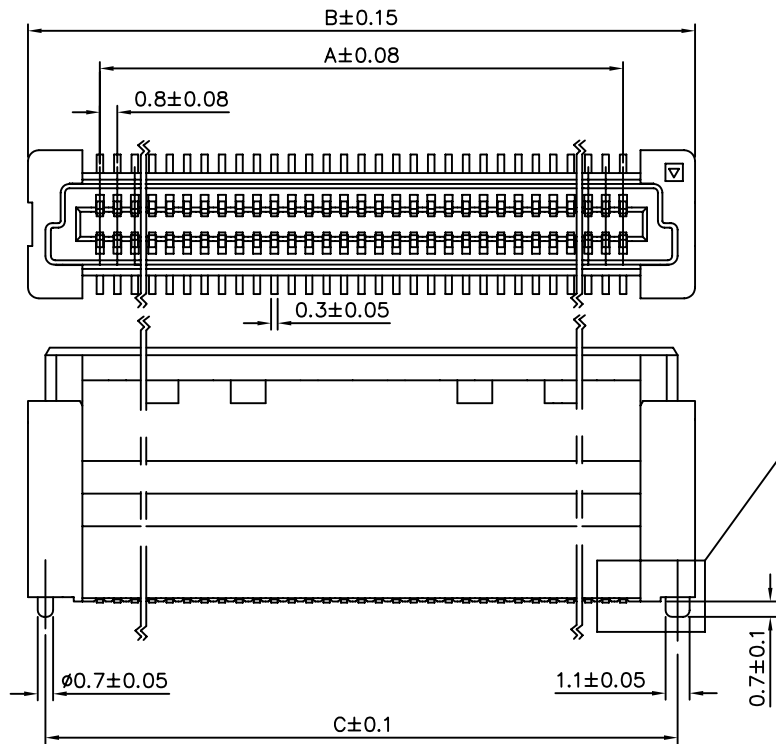
Printed: Aug 03, 2006

Tous droits strictement réservés. Reproduction ou communication a des tiers interdite sous quelque forme que ce soit sans autorisation écrite du propriétaire. Propriété de c FCI. Droits de reproduction FCI.



All rights strictly reserved. Reproduction or issue to third parties in any form whatever is not permitted without written authority from the proprietor. Property of FCI. Copyright FCI.

PRODUCT NO.	NUMBER OF POSITIONS	DIMENSION		
		A	B	C
61082-043***	2 X20	15.2	21.8	20.2
61082-063***	2 X30	23.2	29.8	28.2
61082-083***	2 X40	31.2	37.8	36.2
61082-103***	2 X50	39.2	45.8	44.2
61082-123***	2 X60	47.2	53.8	52.2
61082-143***	2 X70	55.2	61.8	60.2
61082-163***	2 X80	63.2	69.8	68.2
61082-183***	2 X90	71.2	77.8	76.2
61082-203***	2 X100	79.2	85.8	84.2



RECEPTACLE 3

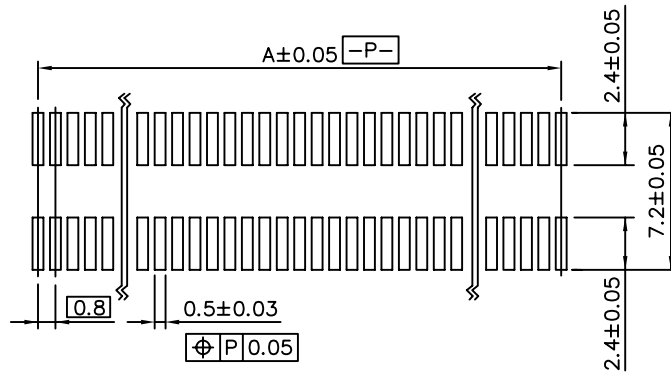
mat'l. code				tolerances unless otherwise specified		CUSTOMER COPY		 www.fciconnect.com		
ltr	ecn no	dr	date	linear	.X ± 0.20	projection		title		
R					.XX ± 0.15			0.8mm BOARD TO BOARD RECEPTACLE ASS'Y		
					.XXX ± 0.10					
				angles	0° ±2°	 MM	 3:1	product family		
				dr	MAGGIE WU 03/26/99			BERGSTAK		code
				enr	YU WEN CHU 03/26/99			size		dwg no
				chr	YU WEN CHU 03/26/99			A4		61082
				appd	JOSEPH HSIA 03/26/99			sheet	5 of	
sheet index	revision sheet									

Tous droits strictement reserves. Reproduction ou communication a des tiers interdite sous quelque forme que ce soit sans autorisation ecrite du proprietaire. Propriete de c FCI. Droits de reproduction FCI.

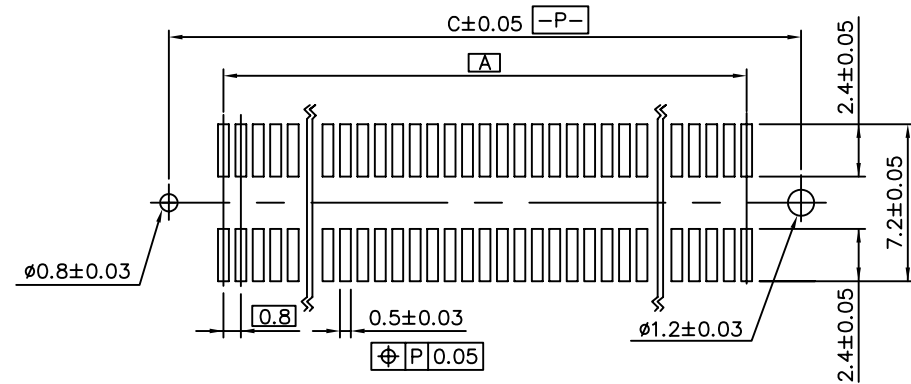
All rights strictly reserved. Reproduction or issue to third parties in any form whatever is not permitted without written authority from the proprietor. Property of FCI. Copyright FCI.



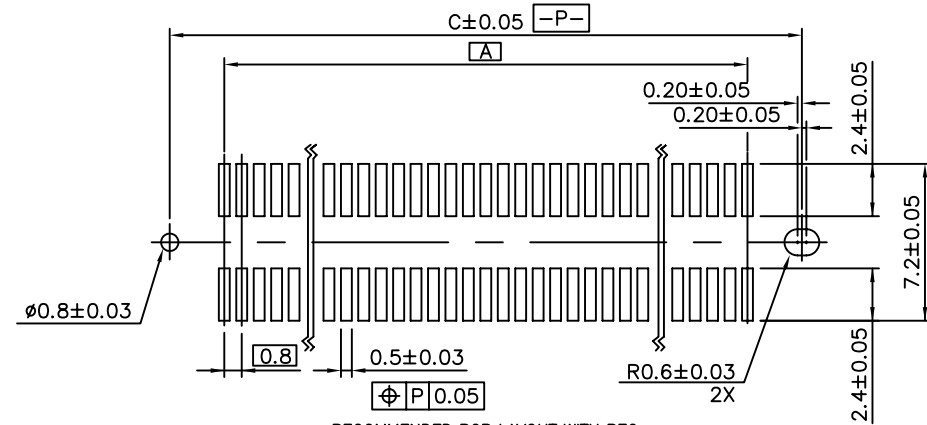
FOR RECEPTACLE 2/3



RECOMMENDED PCB LAYOUT WITHOUT PEG AND HOLDDOWN



RECOMMENDED PCB LAYOUT WITH PEG  
FOR NO. OF POSITION 2X20, 2X30, 2X40, 2X50, 2X60



RECOMMENDED PCB LAYOUT WITH PEG  
FOR NO. OF POS. 2X70, 2X80, 2X90, 2X100

mat'l. code				tolerances unless otherwise specified		CUSTOMER COPY	 www.fciconnect.com	
ltr	ecn no	dr	date	linear	.X ± 0.20			
P					.XX ± 0.15		0.8mm BOARD TO BOARD RECEPTACLE ASS'Y	
				angles	.XXX ± 0.10			MM
				dr	0° ±2°	A4	BERGSTAK	
				enr	MAGGIE WU 03/26/99			3:1
				chr	YU WEN CHU 03/26/99	A4	61082	
				appd	JOSEPH HSIA 03/26/99			sheet
sheet index	revision sheet							