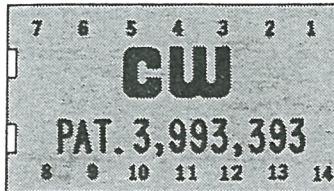
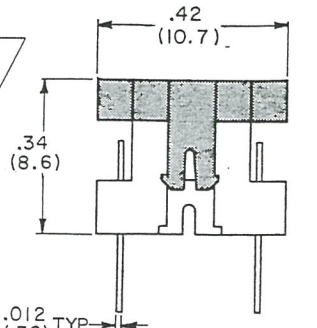
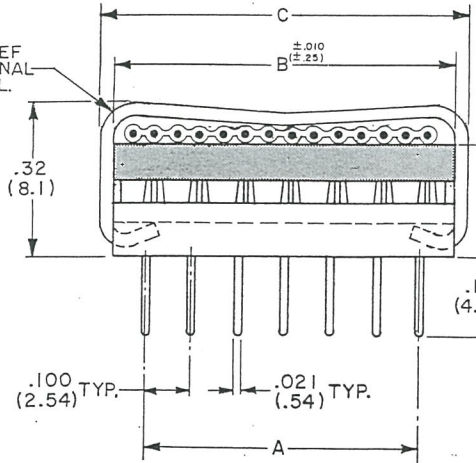


**DIP CONNECTOR** (  $\frac{.300}{(.762)}$  CENTERS )

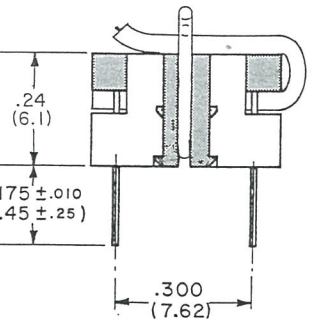
NOTCHED CORNER ORIENTS No.1 CONTACT LOCATION.  
(14 CONTACT POSITIONS SHOWN; ALSO AVAILABLE WITH 16 POSITIONS.)



STRAIN RELIEF STRAP OPTIONAL STEEL-TIN PL.



CONNECTOR COVER SHOWN IN OPEN POSITION



CONNECTOR COVER SHOWN IN CLOSED POSITION

CONNECTOR DIMENSIONS			
No. of SOLDER POSTS	A	B	C
14	.60 (15.2)	.754 (19.2)	.81 (20.6)
16	.70 (17.8)	.854 (21.7)	.91 (23.1)

DIMENSIONS IN INCHES (MILLIMETERS)  
DO NOT SCALE DRAWING .....

Dwg. No.  
**CWR-130-XX-0000**

**NOTES:**

1. Dimensions are in inches; dimensions ( ) are in millimeters.
2. Metric equivalents are given for general information only and are based upon 1.00 inches = (25.4) millimeters.
3. Unless otherwise specified, tolerances are  $\pm .005$  (.13) for three place decimals and  $\pm .01$  (.3) for two place decimals.

**MATERIALS:**

PLASTIC PARTS - UL94V-O Thermoplastic (blue), flame retardant.  
CONTACTS - Phosphor bronze, std.  
CONTACT PLATING - .000010 gold over .000050 nickel, std.

**OPERATING STANDARDS:**

TEMPERATURE RATING - 125°C.  
CONTACT RATING - 1 Ampere.  
DIELECTRIC STRENGTH - Over 500 V.D.C. at sea level.  
CONDUCTORS ACCEPTED - 28-30 AWG solid or stranded.

**CUSTOMER DRAWING**

FORM-B3	REVISIONS		ATTENTION		PDF File Made	<b>CW INDUSTRIES</b> Southampton, Pa. 18966 <b>TOLERANCES UNLESS OTHERWISE SPECIFIED</b> 2 Place Decimal $\pm .010$ METRIC 3 Place Decimal $\pm .005$ 1 Place Dec. $\pm .25$ mm Angles ..... $\pm 1'$ 2 Place Dec. $\pm .13$ mm	Title: <b>DIP CONNECTOR NO. CONTS. PER CONN. DIM. CHART W/.175" SOLDER POSTS</b>		
	0	1	THIS DRAWING AND ITS ATTACHMENTS, IF ANY, ARE PROPRIETARY TO CW INDUSTRIES AND DESCRIBE DESIGNS THAT ARE CONFIDENTIAL AND MUST NOT BE DISCLOSED UNLESS AUTHORIZED, IN WRITING, BY AN OFFICER OF CW INDUSTRIES.....					Made for: CW IND.	Division: CONNECTOR
	RELEASED: LW 3-05-82	REDRAWN, ADDED CUSTOMER DWG. & NEW FORMAT "B" DCW 3-21-97						Drawn by: DGW 3-21-97	Dwg. No. CWR-130-XX-0000
	GG. MAR 25 1997							Checked by: G. GOLD 3-24-97	Approval: A. HOSFIELD 3-25-97

**MASTER**

# Mouser Electronics

Authorized Distributor

Click to View Pricing, Inventory, Delivery & Lifecycle Information:

[CW Industries:](#)

[CWR-130-14-0000](#) [CWR-130-14-0001](#) [CWR-130-16-0001](#)