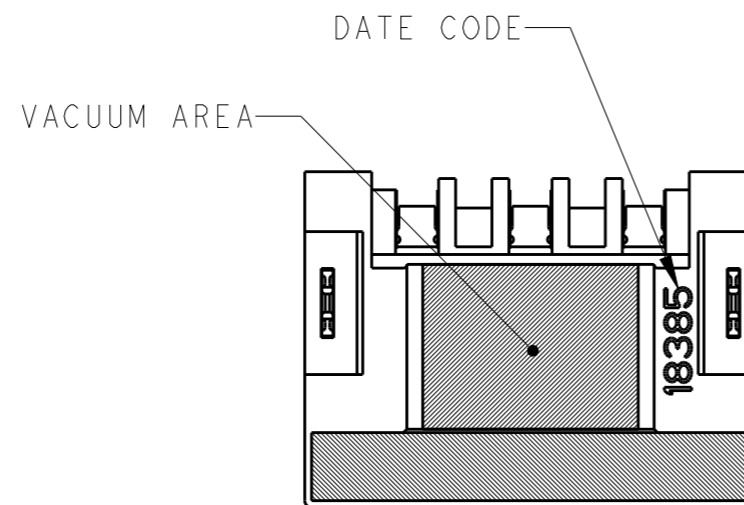


© 20 BY -

REVISIONS

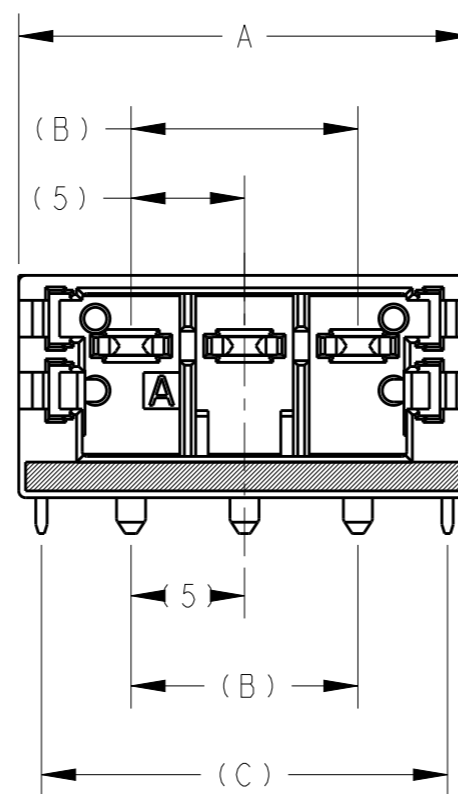
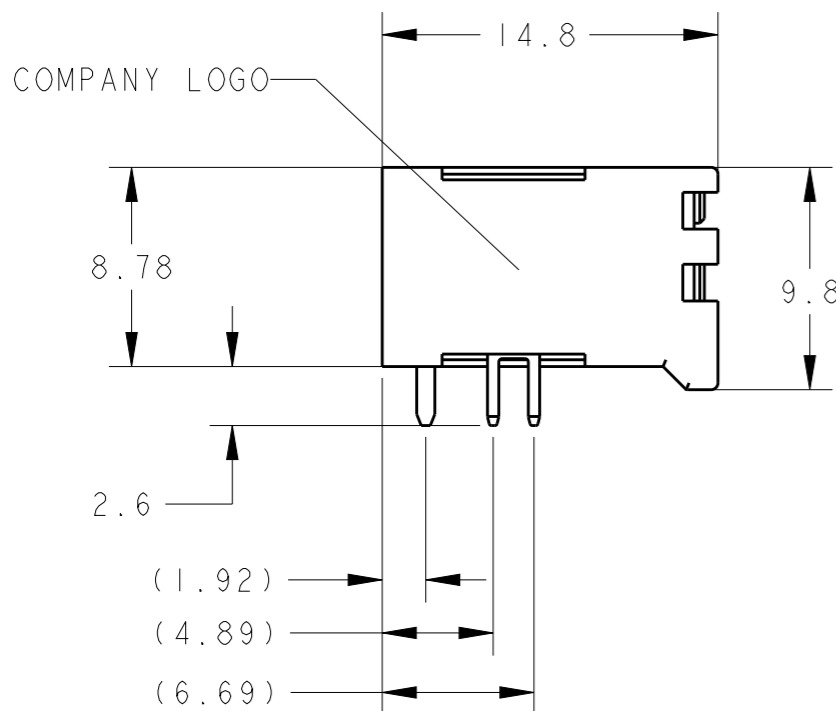
| P | LTR | DESCRIPTION               | DATE      | DWN | APVD |
|---|-----|---------------------------|-----------|-----|------|
|   | A   | RELEASE PER ECR-20-003811 | 13MAR2020 | T.S | E.I  |
|   |     |                           |           |     |      |
|   |     |                           |           |     |      |



1 MATERIAL AND FINISH  
 HOUSING : LIQUID CRYSTAL PLASTIC, BLACK  
 CONTACT : COPPER ALLOY, PLATING: CONTACT AREA SEE TABLE  
 SOLDERING AREA TIN

2. INSTRUCTION SHEET : 408-78171

| CONTACT AREA PLATING | DIM C | DIM B | DIM A | NO OF POSN | PART NUMBER |
|----------------------|-------|-------|-------|------------|-------------|
| 0.38um GOLD          | 22.9  | 15    | 24.9  | 4          | 2-2336490-4 |
| 0.38um GOLD          | 17.9  | 10    | 19.9  | 3          | 2-2336490-3 |
| TIN                  | 22.9  | 15    | 24.9  | 4          | 2336490-4   |
| TIN                  | 17.9  | 10    | 19.9  | 3          | 2336490-3   |



THIS DRAWING IS A CONTROLLED DOCUMENT.

DWN H. OSABE 15MAY2019  
 CHK T. SHIMOYASU 15MAY2019  
 APVD F. IKEMATSU 15MAY2019

**STE** TE Connectivity

NAME: HEADER ASSEMBLY, 90 DEGREE TYPE  
 D2970 PUSH-IN TYPE, DYNAMIC  
 FIELD INSTALLABLE CONNECTOR

DIMENSIONS: mm

TOLERANCES UNLESS OTHERWISE SPECIFIED:  
 0 PLC ±0.5  
 1 PLC ±0.5  
 2 PLC ±0.5  
 3 PLC ±  
 4 PLC ±  
 ANGLES ±5°

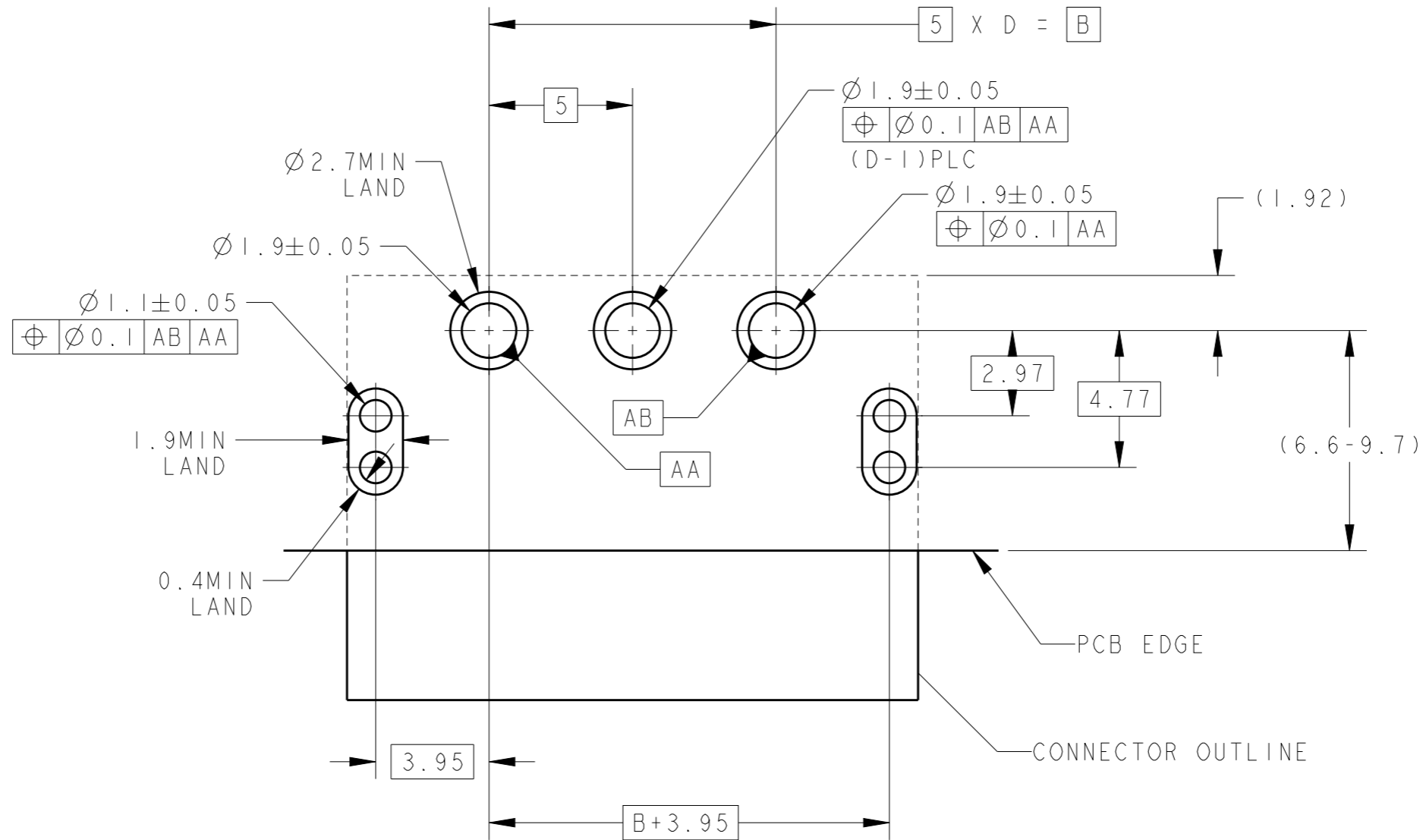
PRODUCT SPEC: 108-140223  
 APPLICATION SPEC: -  
 WEIGHT: -

SIZE: A3 CAGE CODE: 00779 DRAWING NO: C-2336490 RESTRICTED TO: -

MATERIAL: - FINISH: -

CUSTOMER DRAWING SCALE: 3:1 SHEET: 1 OF 2 REV: A

| REVISIONS |     |             |      |     |      |
|-----------|-----|-------------|------|-----|------|
| P         | LTR | DESCRIPTION | DATE | DWN | APVD |
|           |     | SEE SHEET 1 |      |     |      |
|           |     |             |      |     |      |
|           |     |             |      |     |      |



RECOMMENDED PCB LAYOUT

|  |  |                                  |   |                         |                    |
|--|--|----------------------------------|---|-------------------------|--------------------|
| THIS DRAWING IS A CONTROLLED DOCUMENT.                                     |  | DWN<br>H. OSABE<br>15MAY2019     |   |                         |                    |
| DIMENSIONS:<br>mm  |  | CHK<br>T. SHIMOYASU<br>15MAY2019 |   |                         |                    |
| TOLERANCES UNLESS OTHERWISE SPECIFIED:                                     |  | APVD<br>E. IKEMATSU<br>15MAY2019 | NAME<br>HEADER ASSEMBLY, 90 DEGREE TYPE<br>D2970 PUSH-IN TYPE, DYNAMIC<br>FIELD INSTALLABLE CONNECTOR |                         |                    |
| 0 PLC ±0.5<br>1 PLC ±0.5<br>2 PLC ±0.5<br>3 PLC ±<br>4 PLC ±<br>ANGLES ±5° |  | PRODUCT SPEC<br>108-140223       | SIZE<br>A300779   |                         |                    |
| MATERIAL<br>-  |  | FINISH<br>-                      | APPLICATION SPEC<br>-   | DRAWING NO<br>C-2336490 | RESTRICTED TO<br>- |
|  |  | WEIGHT<br>-                      | SCALE<br>3:1  |                         |                    |
|  |  | CUSTOMER DRAWING                 | SHEET<br>2 OF 2   |                         |                    |
|  |  |                                  | REV<br>A  |                         |                    |