

PLEASE CHECK WWW.MOLEX.COM FOR LATEST PART INFORMATION

Part Number: [39-00-0021](#)
Status: **Active**
Overview: SPOX™ BMI Connector System
Description: SPOX™ Crimp Terminal 5194, 18-24 AWG, Phosphor Bronze, Reel

Documents:

Drawing (PDF)	Product Specification PS-5195-006 (PDF)
Product Specification PS-5195-004 (PDF)	Product Specification PS-5195-007 (PDF)
Product Specification PS-5195-005 (PDF)	RoHS Certificate of Compliance (PDF)

Agency Certification

CSA LR19980

General

Product Family	Crimp Terminals
Series	5194
Application	Signal
Crimp Quality Equipment	Yes
Overview	SPOX™ BMI Connector System
Packaging Alternative	39-00-0022 (Loose)
Product Name	SPOX™
UPC	800754318242

Physical

Gender	Female
Material - Metal	Phosphor Bronze
Material - Plating Mating	Tin
Material - Plating Termination	Tin
Net Weight	180.000/mg
Packaging Type	Reel
Plating min - Mating	0.889µm
Plating min - Termination	0.914µm
Termination Interface: Style	Crimp or Compression
Wire Insulation Diameter	1.30-3.20mm
Wire Size AWG	18, 20, 22, 24
Wire Size mm²	N/A

Material Info

Old Part Number 5194PBT

Reference - Drawing Numbers

Crimp Specification	CS-5194, CS-5194(S)
Product Specification	PS-5195-004, PS-5195-005, PS-5195-006, PS-5195-007, RPS-5195-001, RPS-5195-002
Sales Drawing	SD-5194-001

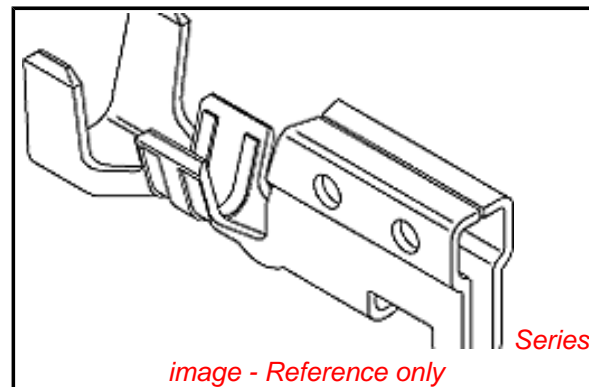


image - Reference only

EU RoHS

ELV and RoHS Compliant
REACH SVHC Contains SVHC: No
Low-Halogen Status Low-Halogen

China RoHS



Need more information on product environmental compliance?

Email productcompliance@molex.com
 For a multiple part number RoHS Certificate of Compliance, [click here](#)

Please visit the [Contact Us](#) section for any non-product compliance questions.

Search Parts in this Series

5194Series

Use With

5195 , 5196 , 5197 , 5198 , 5199

Application Tooling | FAQ

Tooling specifications and manuals are found by selecting the products below. Crimp Height Specifications are then contained in the Application Tooling Specification document.

Global

Description	Product #
Hand Crimp Tool for Crimp Terminals	0638116500
FineAdjust™ Applicator for 3.96mm Pitch Crimp Terminal, 18-24 AWG Wire	0639005300
T2 Terminator Tooling Die for Crimp Terminal, 18-24 AWG Wire	0639105300

Extraction Tool 0638132700

Japan

Description **Product #**

Applicator for M211A 0011260028

Bench Press, 18-28

AWG Wire

Hand Extraction Tool 0011260100

This document was generated on 06/30/2014

PLEASE CHECK WWW.MOLEX.COM FOR LATEST PART INFORMATION