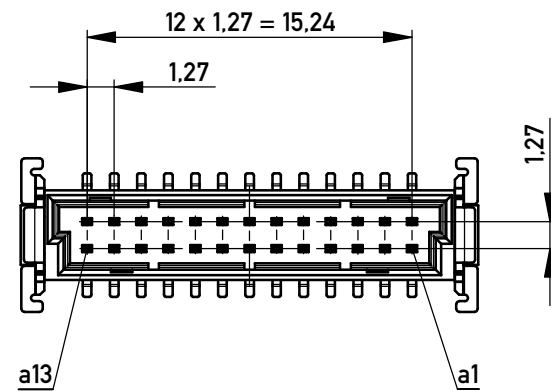
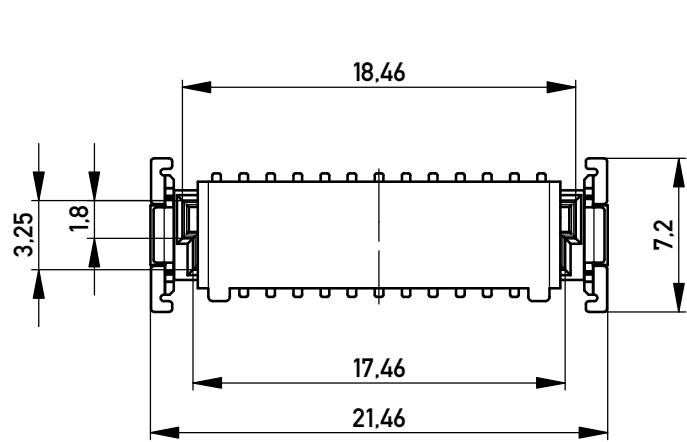
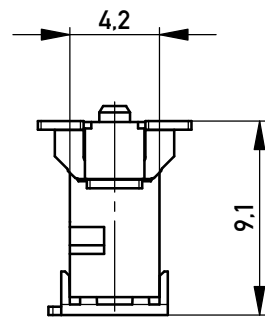
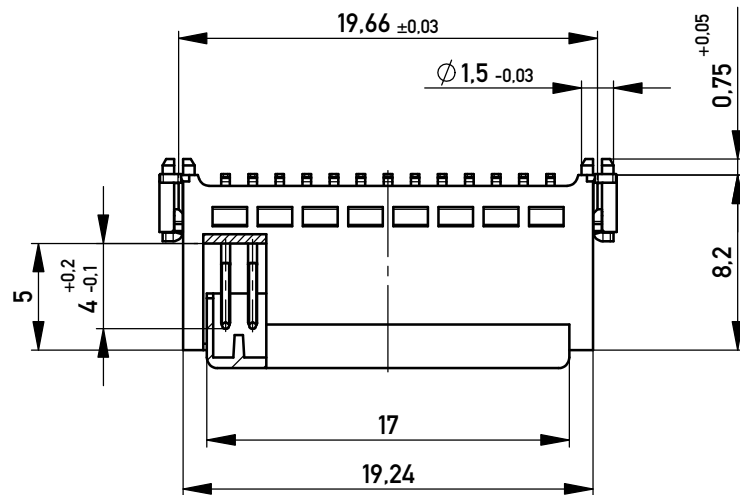
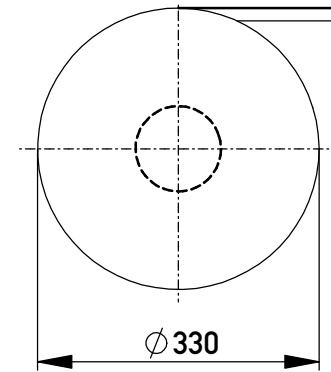


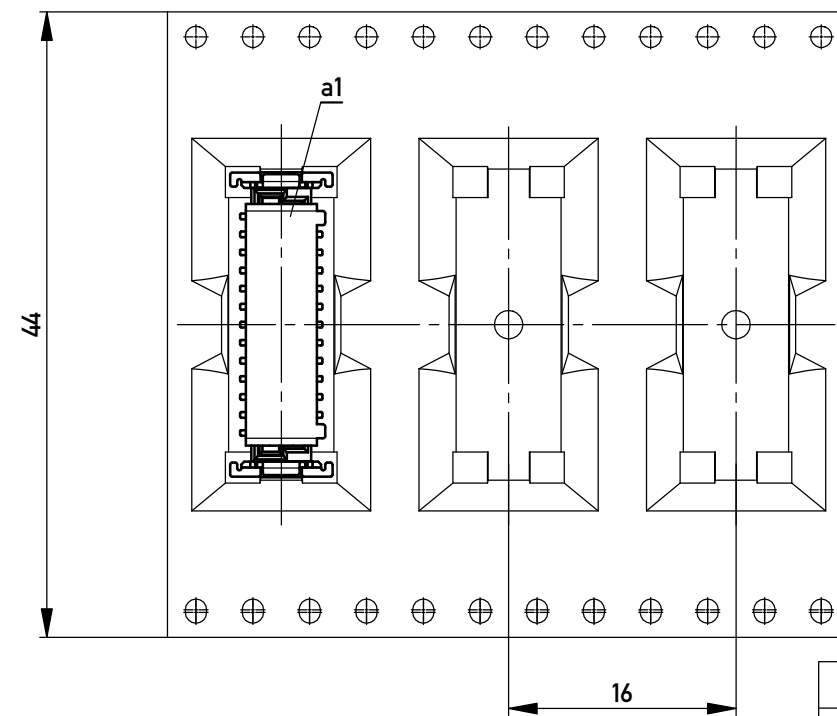
ohne Ansaughaube - without hood



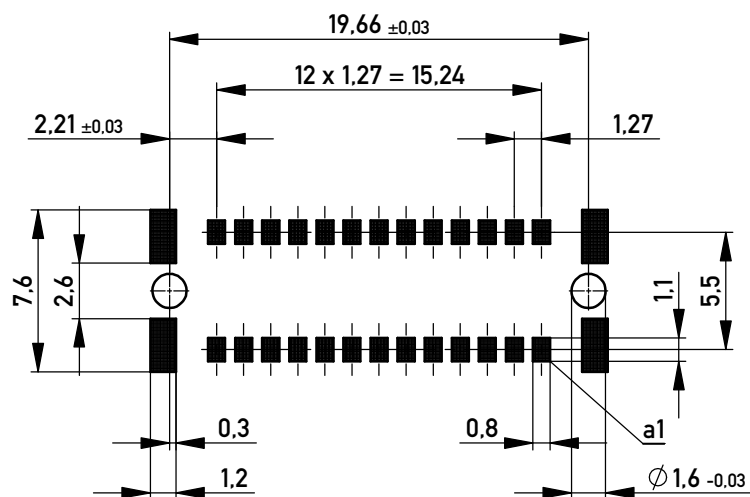
Verpackt im Gurt nach DIN IEC 60286-3
Tape on Reel Packaging according to DIN IEC 60286-3
Verpackungseinheit: 280 Stück
Packaging unit: 280 pcs



Abspulrichtung - Reel off Direction



Leiterplatten-Layout Vorschlag für SMT
PCB-Layout Proposal for SMT



Anforderungsstufe 1
Performance Level 1

Kontaktbereich vergoldet
Mating Area gold plating

Anschlussbereich verzinkt 4-6 µm
Terminal Area 4-6 µm tin plating

Koplanarität der Anschlüsse ≤ 0,1 mm
Coplanarity Area of Termination ≤ 0,1 mm

BA 3-03 - Standard Bauhöhe
type 3-03 - Standard Assembly Height

Information: All rights reserved. Only for Information. To ensure that this is the latest version of this drawing, please contact one of the ERNI companies before using.	Tolerances All Dimensions in mm	Scale 3:1
	Designation Messerl. SMC-Q-26-SMD-BA3-03 Male SMC-Q 26-SMT-type3-03	
www.ERNI.com	063209	I A3
f Index	02.07.2015 Date	Class SMCQ

Copyright by ERNI GmbH
Proprietary notice pursuant to ISO 16016 to be observed.