



P Series

One piece metal shell panel receptacle with large solder cups. The insert is non-removable. The "P" Series is front mountable only and the male and female have different mounting dimensions.

Part drawings are available courtesy of www.Neutrik.com. For additional drawings, please contact NeutrikUSA.

ORDERING INFORMATION "P" Series Male			
# of Contacts	Nickel Shell	Black Chrome Shell	
	Silver contacts	Silver Contacts	Gold Contacts
3	NC3MP	NC3MP-BAG	NC3MP-B
4	NC4MP	NC4MP-BAG	NC4MP-B
5	NC5MP	NC5MP-BAG	NC5MP-B
6	NC6MP	NC6MP-BAG	NC6MP-B

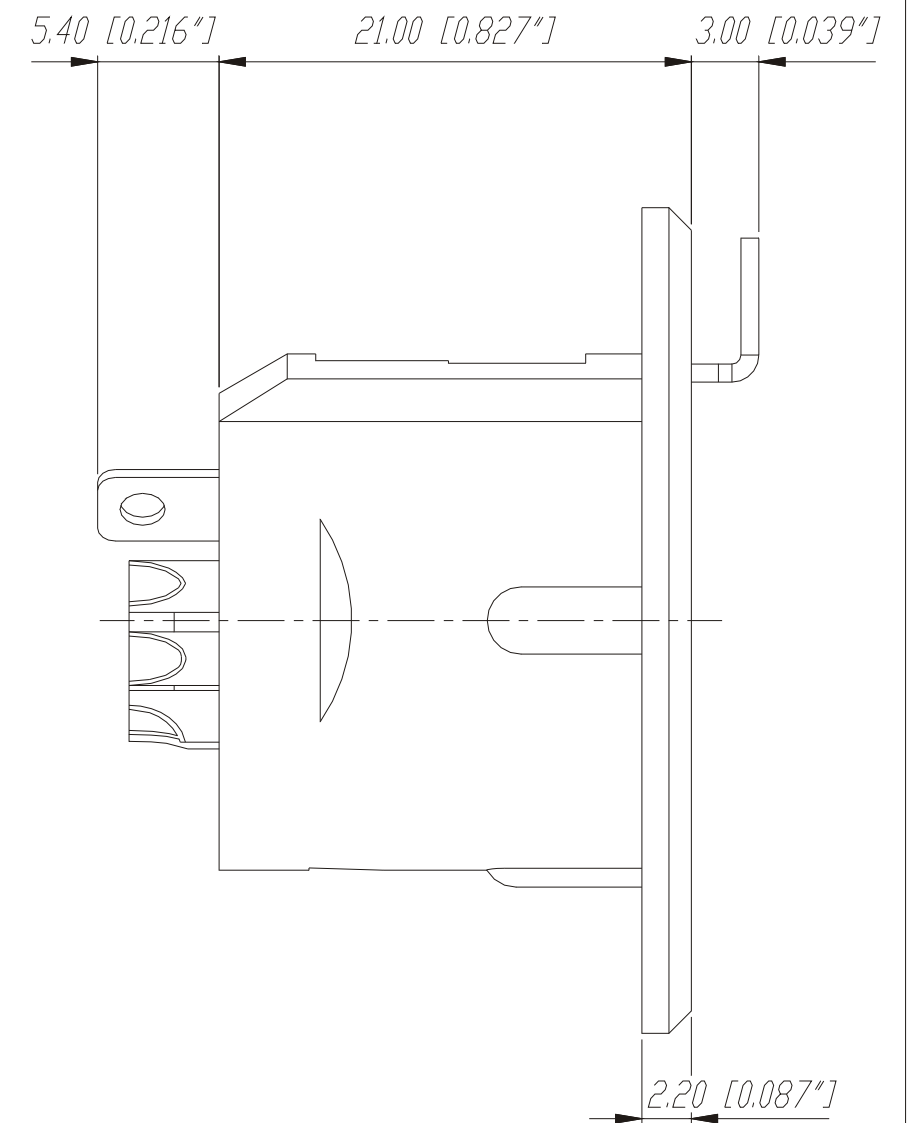
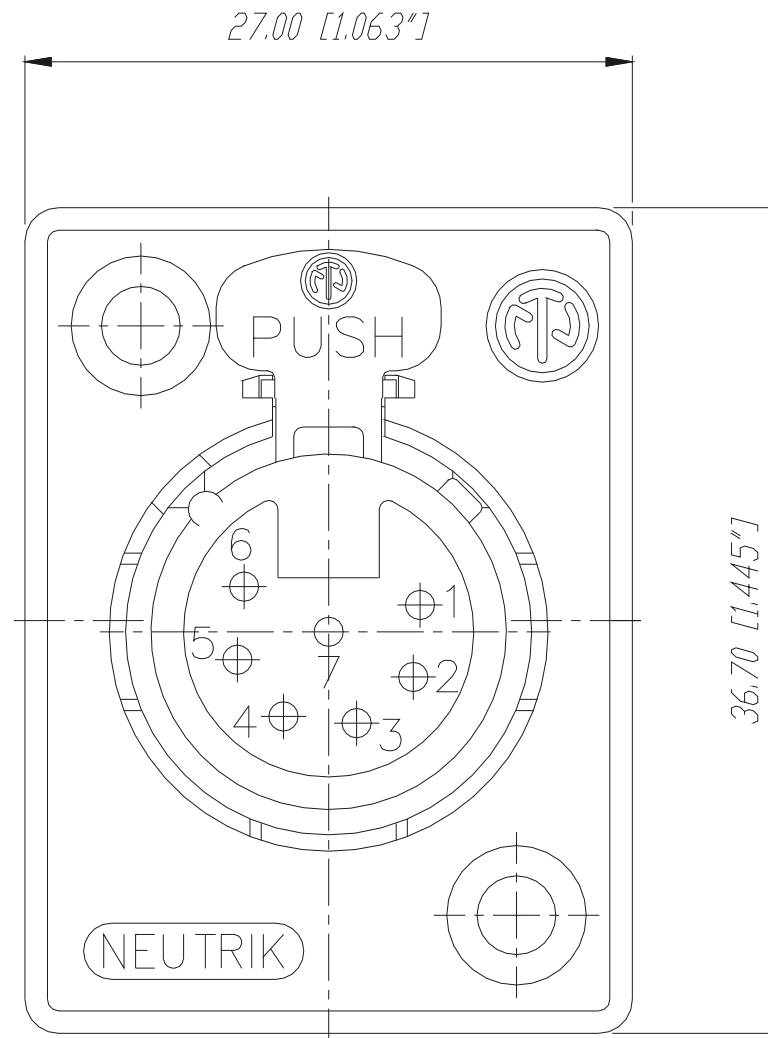
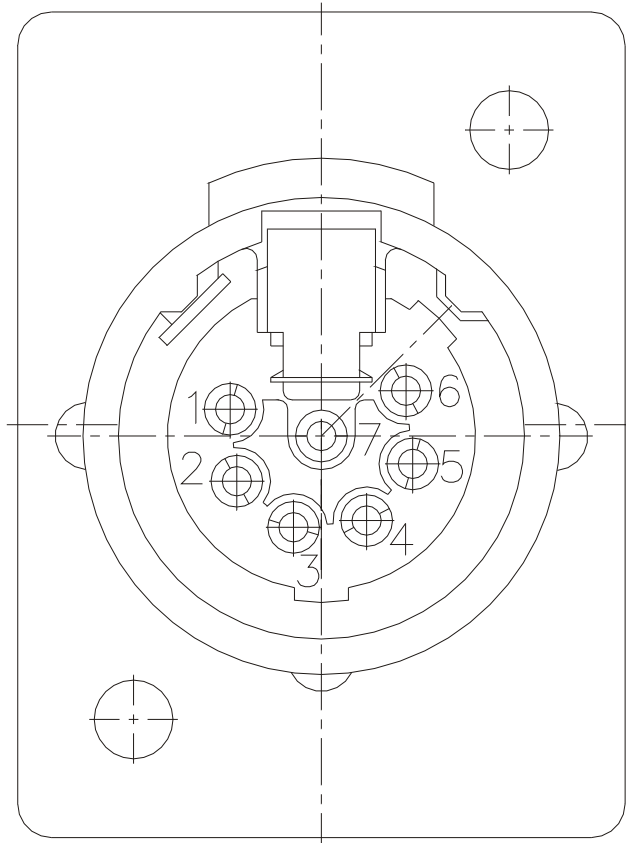
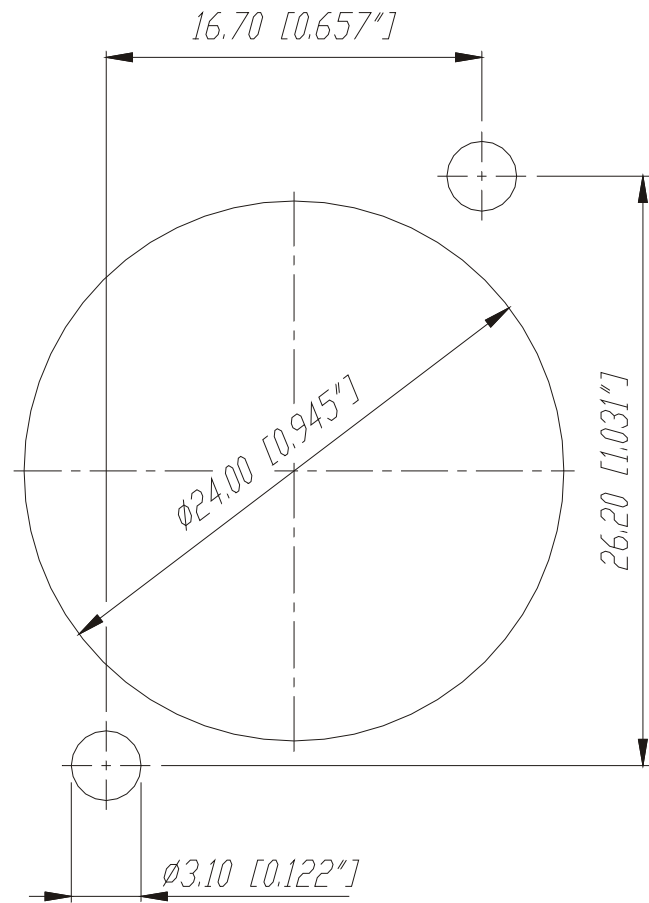
Male "P" Series not available in 6 pin Switchcraft equivalent or 7 pin configurations

ORDERING INFORMATION "P" Series Female			
# of Contacts	Nickel Shell	Black Chrome Shell	
	Silver contacts	Silver Contacts	Gold Contacts
3	NC3FP	NC3FP-1-BAG	NC3FP-1-B
4	NC4FP	NC4FP-1-BAG	NC4FP-1-B
5	NC5FP	NC5FP-1-BAG	NC5FP-1-B
6	NC6FP-1	NC6FP-1-BAG	NC6FP-1-B
6*	NC6FPS-1	NC6FPS-1-BAG	NC6FPS-1-B
7	NC7FP-1	N/A	NC7FP-1-B

*Switchcraft© equivalent

Frontplattenausschnitt (Rückseite)

Panel cut out (rear side)



Ind.	Aenderung	Datum	Name	Werkstoff:	Massstab:	Datum	Name
				*Lieferant darf ohne Rucksprache nicht geaendert werden	2:1	09.11.90	Illenberger
				Zeichnung urheberrechtlich geschuetzt (DIN 34) (C)			
				Benennung:	(FP-1)		Blatt
					NC7FP-1		von Blatt
A	Aktuelle Zeichnung	25.03.98	Alinjak				
				NEUTRIK AG FL-9494 SCHAAN			Zeichn. Nr. 3102 St 11 16

Specifications - XLR Cable Connectors								
Electrical		X Series	X-1 Series	RC Series	X-HD Series	FX-S Series	FZ-L Series	FX-Spec Series
Number of contacts:	3-7	X	3 only	X	3	3 only	3 only	3 only
Rated Current:	<i>see table below</i>	X	X	X	X	X	6A	X
Contact resistance:	< 3 mΩ	X	X	X	X	X	X	X
Insulation resistance initial:	>2·10 ⁹ mΩ	X	X	X	X	X	X	X
Insulation resistance after damp heat test:	>1.10 ⁹ mΩ	X	X	X	X	X	X	X
Dielectric strength:	1500 V dc	X	X	X	X	X	X	X
Mechanical		X Series	X-1 Series	RC Series	X-HD Series	FX-S Series	FZ-L Series	FX-Spec Series
Insertion/withdrawal force:	≤ 20N	X	X	X	X	X	X	X
Max. Wire Size:	<i>see table below</i>	X	X	X	X	X	X	X
Cable O.D. range:	3.5mm - 8.0mm	X	4mm - 7mm	4mm - 7mm	X	X	5mm - 6.7mm	X
Environmental		X Series	X-1 Series	RC Series	X-HD Series	FX-S Series	FZ-L Series	FX-Spec Series
Temperature range:	-30°C to +80°C	X	X	X	X	X	X	X
Flammability:	UL 94HB	X	X	X	X	X	X	X
Solderability:	Complies with IEC 68-2-20	X	X	X	X	X	X	X
Protection Class :		N/A	N/A	N/A	IP65	N/A	N/A	N/A
Materials		X Series	X-1 Series	RC Series	X-HD Series	FX-S Series	FZ-L Series	FX-Spec Series
Shell:	ZnAl4Cu1, black Chrome over Cu plating	X	X	X	X	X	X	Black Cr. Only
Cover:	EPDM (natural rubber)	N/A	N/A	N/A	N/A	N/A	X	N/A
Insert:	PA 6.6 30% GR (glass reinforced)	X	X	X	X	X	X	X

Locking Ring :	ZnAl4Cu1, gal Ni or black Chrome over Cu plating	N/A	N/A	N/A	N/A	N/A	X	Black Cr.
Contacts:	female (3 pole) CuSn6	X	X	X	X	X	X	N/A
Contacts:	female (4-7 pole) & male CuZn 39P63	X	X	X	X	N/A	N/A	N/A
Contact surface:	gal 0.3 μ m Au hard alloy over 2 μ m Ni	X	X	X	X	X	gal 0.1 μ m AuCo hard alloy over 2 μ m Ni15 (Tribor)	Silver only
Latch lock:	St3K32 (latch)/CK 67 (spring)	X	X	X	X	X	X	X
Strain relief clamp:	POM	X	X	X	X	X	X	X
Antikink boot:	PUR	X	X	X	PUR	X	EPDM	X

XLR Rated Current			
X	1[A]	{mm ² /AWG}	C[pF]
3	16	2.5/14	≤ 4
4	10	1.5/16	≤ 7
5	7.5	1.0/18	≤ 7
6	7.5	1.0/18	≤ 7
7	5	1.0/18	≤ 9

Part drawings are available courtesy of www.neutrik.com. For additional drawings, please contact NeutrikUSA.