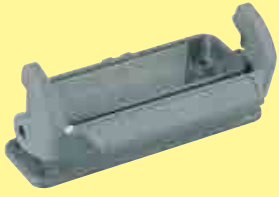
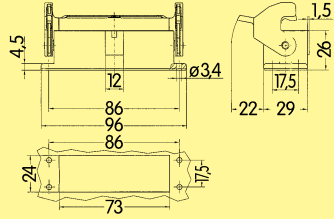

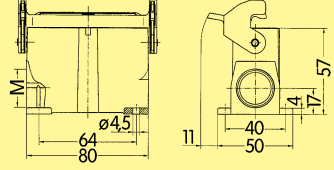

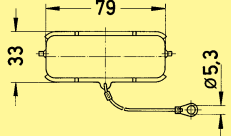


Metal hoods/housings for industrial applications / 1 lever locking system

Identification	Part number		Cable entry metric	Drawing	Dimensions in mm
	Low construction	High construction			
Housings, bulkhead mounting 	09 20 016 0301 with thermo-plastic cover 09 20 016 0321			 <p>Panel cut out</p>	
Housings, surface mounting side entry 	19 20 016 0251¹⁾ 19 20 016 0290 19 20 016 0291 with thermo-plastic cover 19 20 016 0295		1 x 25 2 x 20 2 x 25 2 x 20		
Protection covers 	metal 09 20 016 5425				

Han Hoods Housings

¹⁾ only metal glands

Stock items in bold type