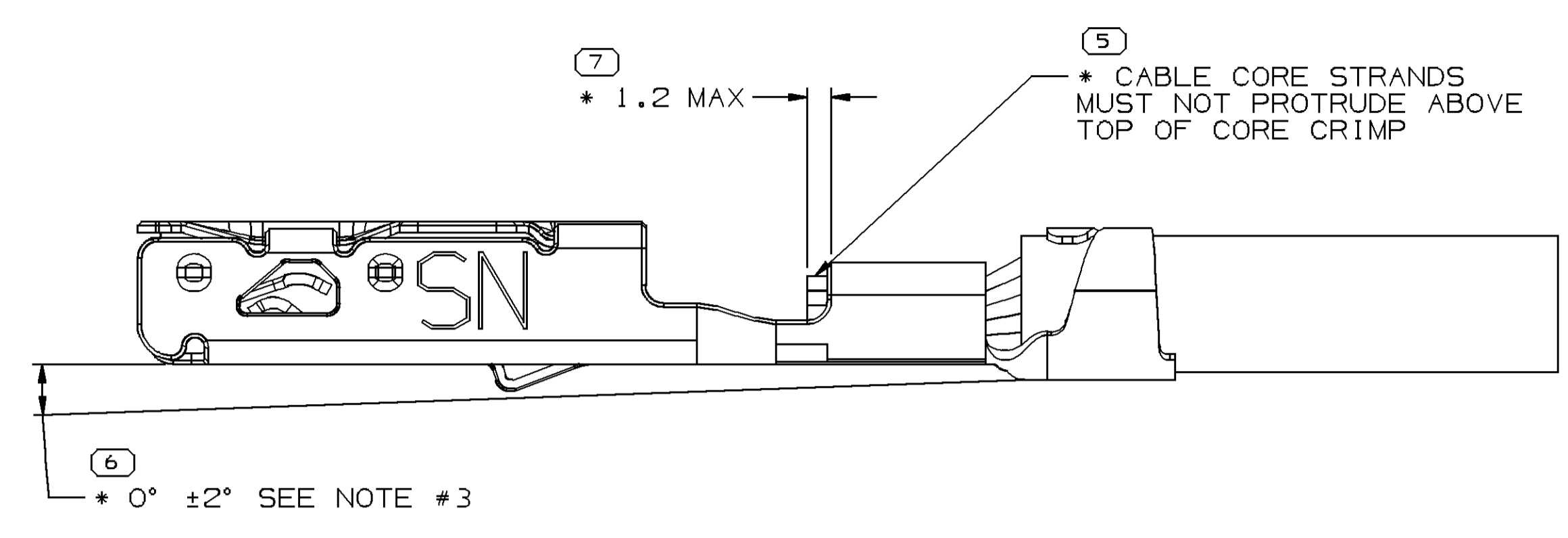
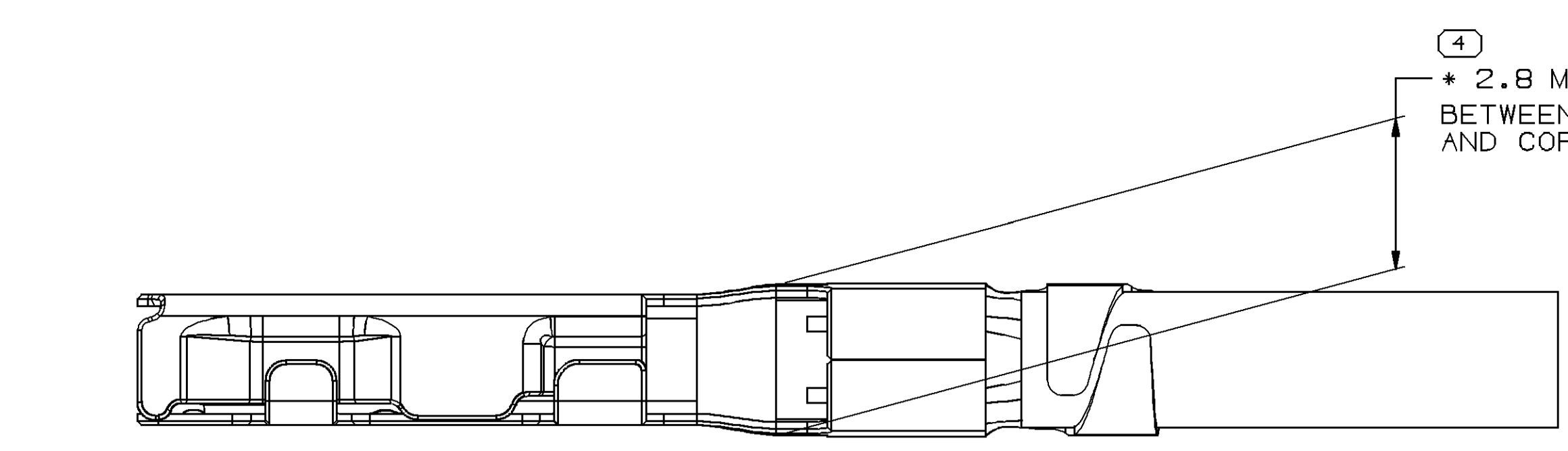
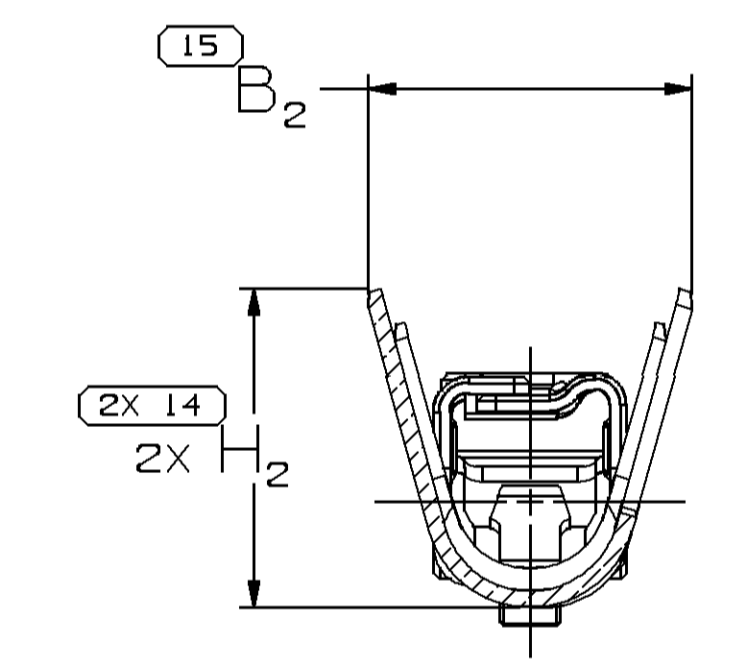
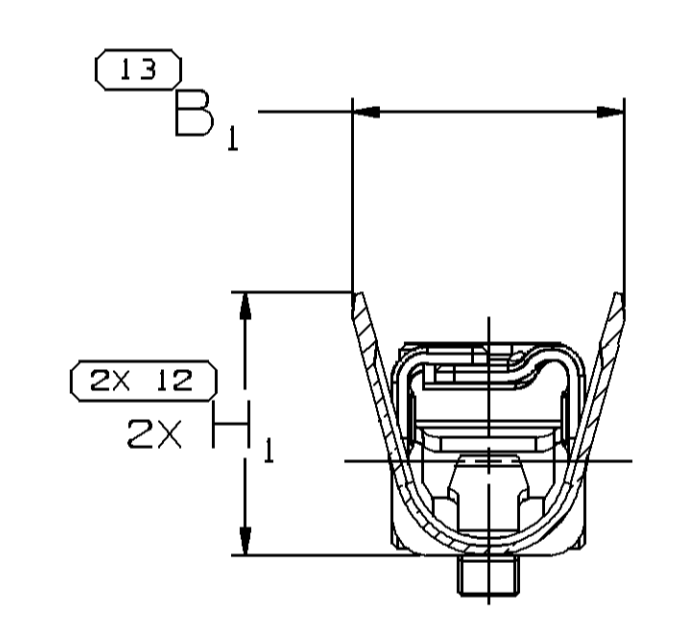
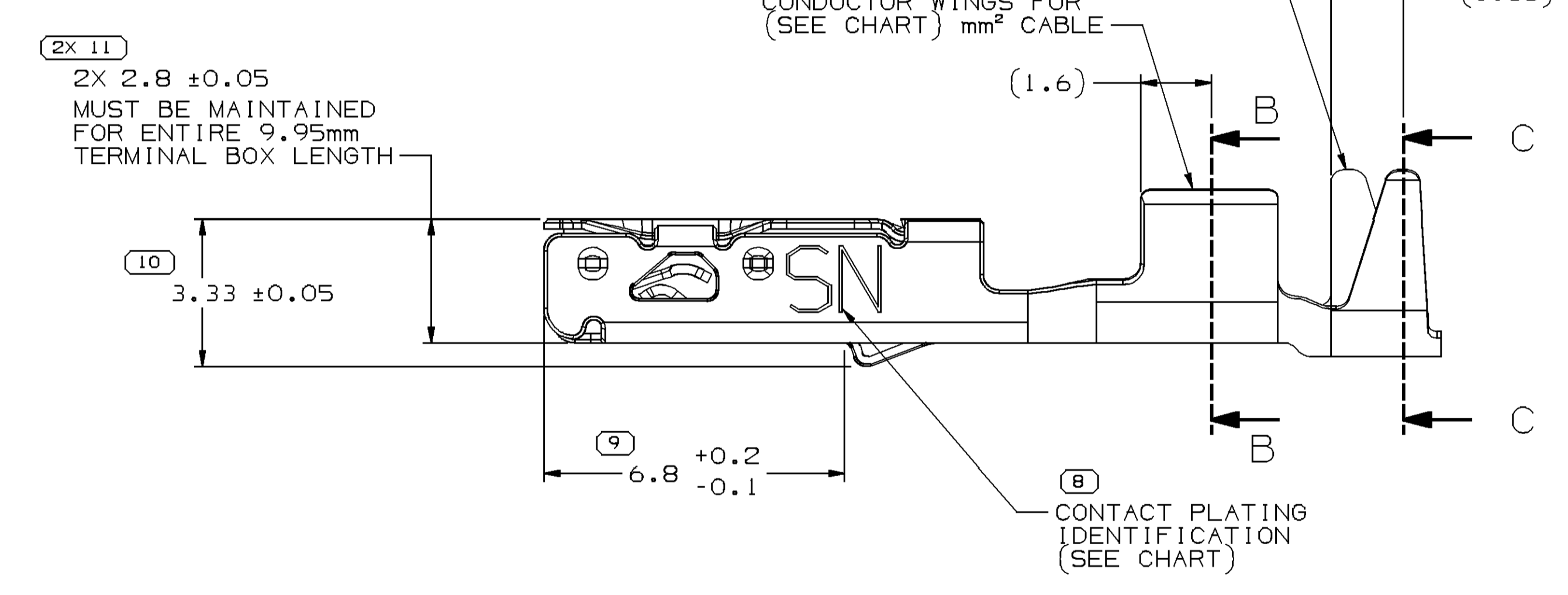
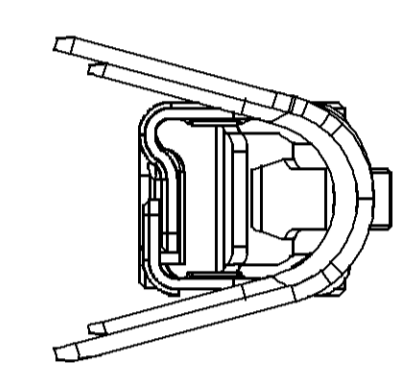
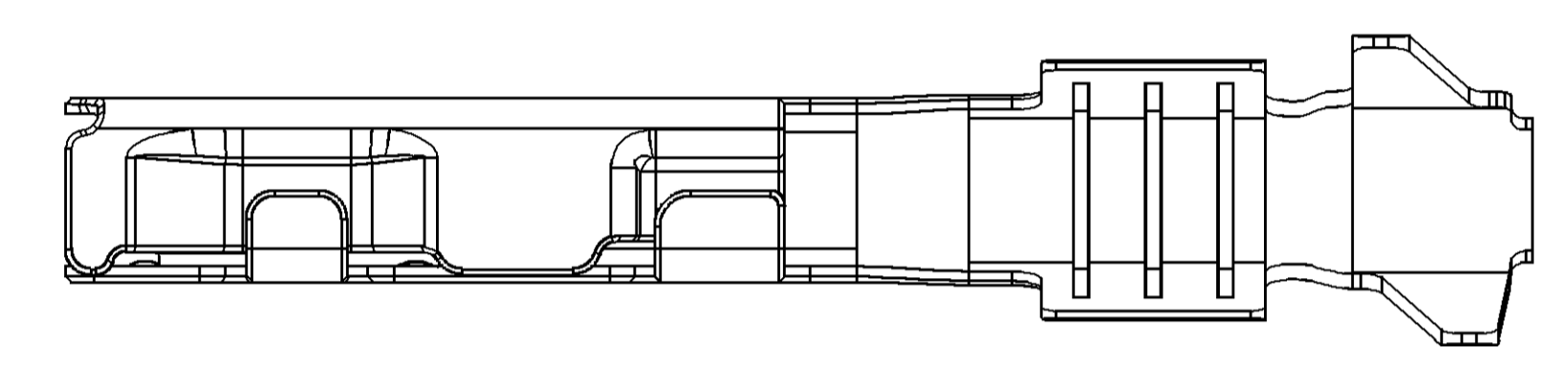
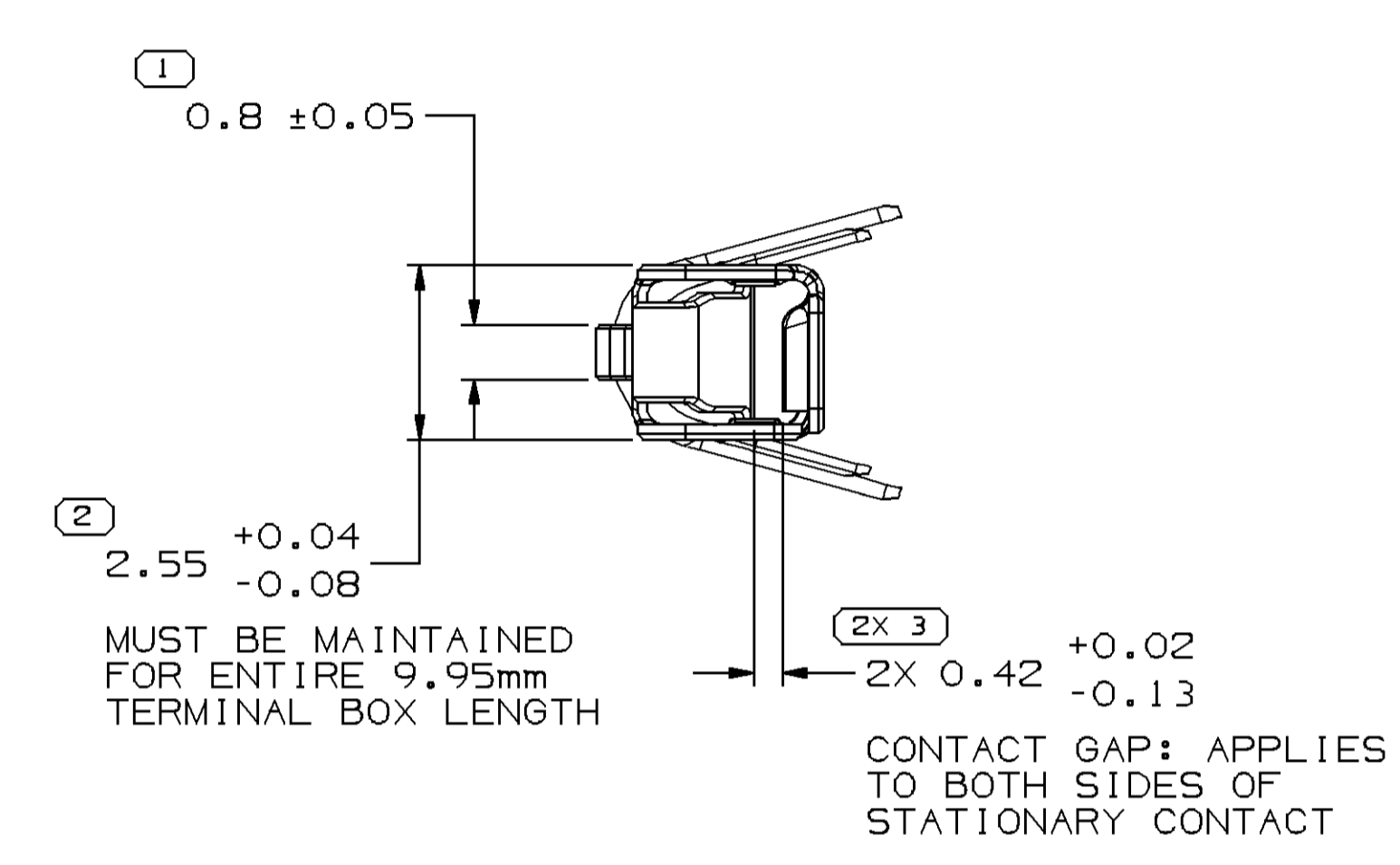
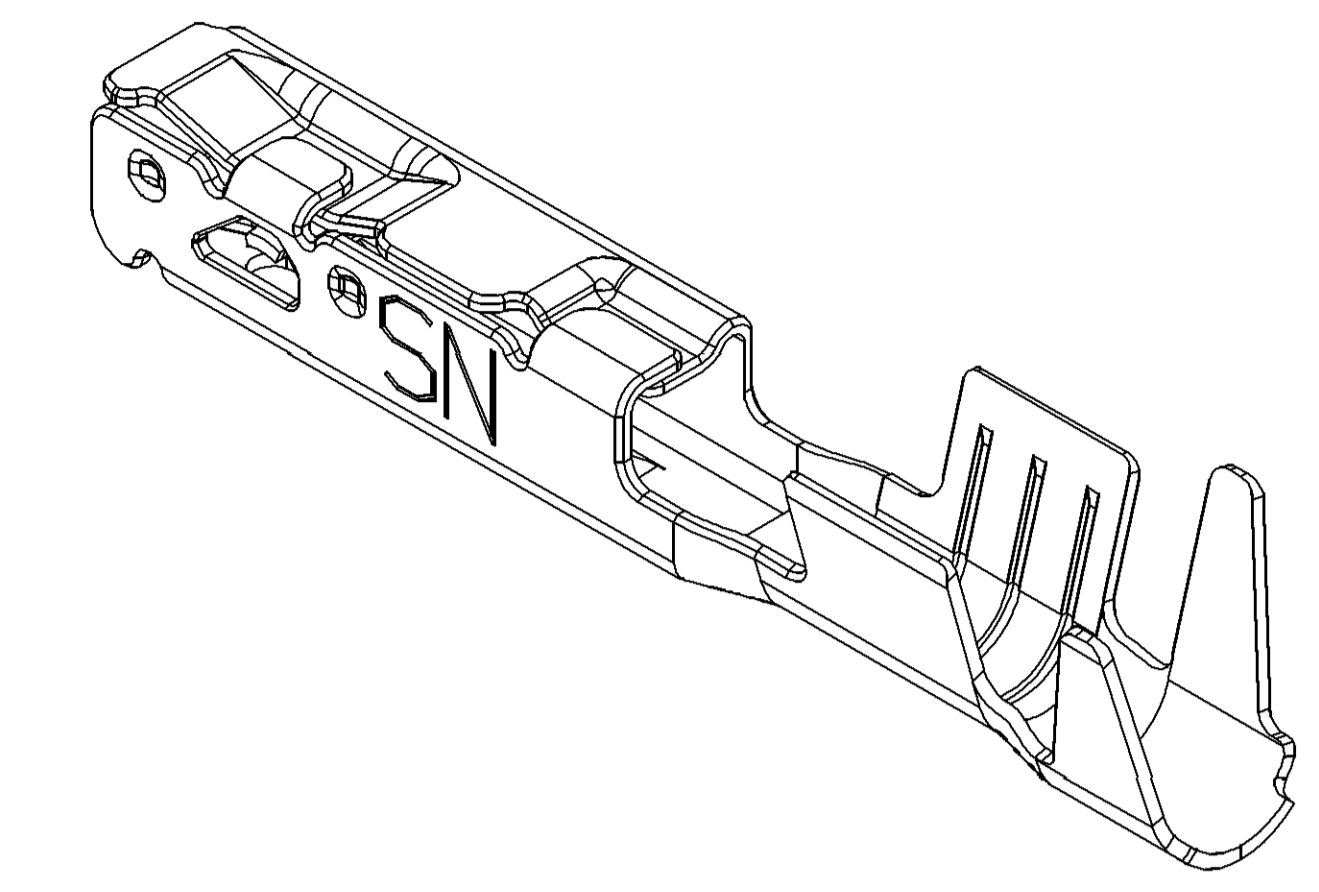
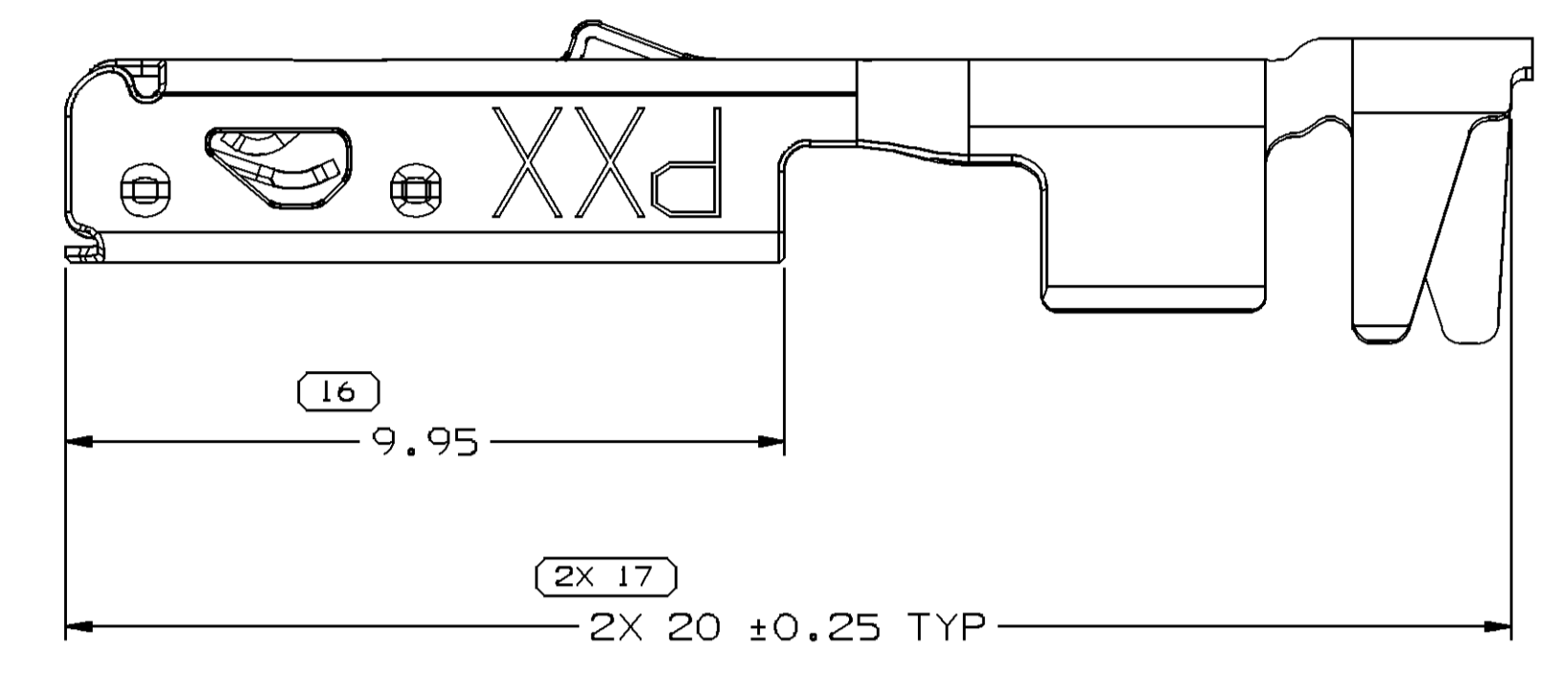


SYMBOL DEFINITION		TOTAL NO OF INSPECTIONS REQUIRED	MISSING SYMBOLS
A DIMENSION WITHOUT AN INSPECTION REPORT SYMBOL DOES NOT REQUIRE INSPECTION. IT MAY BE CONTROLLED ON THE INDIVIDUAL COMPONENT DRAWING.		22	NO MISSING SYMBOL NUMBER
		LAST NO. USED	17

DWG STATUS				REVISION HISTORY				AUTH	DR	APVD	APVD
DATE	STG	REV	N/P	CHG	ZONE						
10AP17	R	01	-	-		ALL PARTS - RELEASED PART DRAWING	434477	KYT	KYT	RBS	
28JN17	R	02	-	-		ALL PARTS - UPDATED PART AVAILABILITY	437113	JVR	JVR	RBS	



TERMINAL, CABLE ALIGNMENT & POSITION



SECTION B-B SECTION C-C

- NOTES
- UNLESS OTHERWISE SPECIFIED AND/OR INDICATED:
 - DIMENSIONS ARE TO FACE OF VIEW SHOWN AND AUTOMATICALLY ROUNDED BY COMPUTER FOR INSPECTION (SEE MATH MODEL FOR PRECISE DIMENSIONS). FOR ALL OTHER DIMENSIONS NOT SHOWN BUT REQUIRED FOR TOOL BUILD, SEE MATH MODEL FOR PRECISE TOOL PATH DATA.
 - RECOMMENDED MATING BLADE THICKNESS 0.8 +0.04/-0.03mm. RECOMMENDED MATING BLADE WIDTH NOT TO EXCEED 1.6mm AND NO LESS THAN 1.1mm. SEE USCAR EWCAP-001 (1.5 BLADE) FOR MATING BLADE REQUIREMENTS.
 - PLUS ANGLE IS WING BOTTOM SURFACE ROTATED COUNTERCLOCKWISE AGAINST THE BOX BOTTOM SURFACE.
 - MAXIMUM CURRENT CAPACITY AS DEFINED BY USCAR-2 R5 SECTION 5.3.3 IS 22 AMPS WITH 2.0mm² COPPER CABLE.
 - * DENOTES DIMENSIONS MADE AT CUT-OFF AND CRIMP DIE
 - THIS TERMINAL CAN BE USED WITH USCAR CAVITY STANDARD EWCAP-002 FOR CABLE SIZE UP TO 2.7mm O.D.
 - PLATING TYPE:
 - REFLOW TIN 1.9 - 3.3 MICROMETERS THICK OVER NICKEL UNDERPLATE 0.13 - 0.5 MICROMETERS THICK.
 - PARTS MEET THE PERFORMANCE REQUIREMENTS OF GMW3191 DEC 2007 AND SAE/USCAR-2 R5 REVISIONS FOR THE FOLLOWING CLASSIFICATIONS:
 - TEMPERATURE CLASS 3 (-40°C TO +125°C)
 - VIBRATION CLASS 1 (ON BODY OR CHASSIS)
 - SEALING CLASS 1 (UNSEALED) FOR GAGE I.D. 25 & 14
 - SEALING CLASS 2 & 3 (SEALED-CONNECTOR DEPENDENT) FOR GAGE I.D. 21 & 17
 - DO NOT PROBE, TEST OR OTHERWISE CONTACT THE INTERIOR REGION (THE SPRING OR ANY MOVING PART) OF THIS TERMINAL. SEVERE DAMAGE CAN OCCUR, COMPROMISING THE PERFORMANCE OF THE ELECTRICAL INTERFACE.

PART NO	REV	N/P	MATERIAL DESCRIPTION	CONTACT AREA PLATING TYPE (SEE NOTE #8)	CRIMP AREA PLATING TYPE (SEE NOTE #8)	CONTACT PLATING I.D.	MATERIAL THICKNESS	I.D.	CABLE SIZE (mm ²)	CABLE DIAMETER	B ₁ ± 0.15	B ₂ ± 0.25	(H ₁)	(H ₂)
35031565	01	AA	COPPER ALLOY	I	I	SN	0.22	14	1.5 - 2	2 - 2.8	3.6	4.3	3.5	4.2
35031566	01	AA	COPPER ALLOY	I	I	SN	0.22	17	0.75 - 1	1.7 - 2.34	2.5	3.6	2.6	3.6
35031567	01	AA	COPPER ALLOY	I	I	SN	0.22	21	0.35 - 0.5	1.2 - 1.83	2.1	3	2.1	3
35031568	01	AA	COPPER ALLOY	I	I	SN	0.22	25	0.13 - 0.22	0.81 - 1.2	1.5	1.9	1.5	1.7

LINE DRAWN THROUGH * PART NUMBER INDICATES THAT PHYSICAL PARTS ARE NOT AVAILABLE FOR ORDERING.

PART NUMBERS THAT DO NOT HAVE A LINE PRESENT INDICATE THAT PHYSICAL PARTS ARE AVAILABLE FOR ORDERING.

CONTACT DELPHI SALES TO ASSURE AVAILABILITY OF PARTS.

DWG TYPE: PART DRAWING

STYLE: ID

VOLUME (OMP):

DISTR CODE: D

UNLESS OTHERWISE SPECIFIED THIS DOCUMENT IS IN ACCORDANCE WITH ASME Y14.5M-1994 AS MODIFIED BY THE 3D MODEL DIMENSIONING AND TOLERANCING ADDENDUM-2001. SEPARATE PATTERNS OF FEATURES MAY BE ISSUED SEPARATELY, IRRESPECTIVE OF DATUM REFERENCES.

ALL DIMENSIONS ARE IN MILLIMETERS

REFERENCE:

2 PROCESS SENSITIVE DIMENSION

DIMENSIONS ENCLOSED IN () INDICATE REFERENCE DIMENSIONS AND NO TOLERANCE LIMITS ARE ESTABLISHED

DIMENSIONAL RANGE (MM) CHART ID

FROM 0 TO 12 > 12

TOLERANCE UNLESS OTHERWISE SPECIFIED

±0.1 ±0.2 ±0.2

ANGULAR TOLERANCE ±2°

THIRD ANGLE PROJECTION

DO NOT SCALE

USE MATH DATA

DELPHI

DELPHI PACKARD ELECTRICAL/ELECTRONIC ARCHITECTURE

WARREN, OH

COPYRIGHT 2017 DELPHI CORPORATION AND/OR ITS AFFILIATES. ALL RIGHTS RESERVED.

THIS DRAWING IS THE PROPERTY OF DELPHI CORPORATION AND CONTAINS DELPHI CONFIDENTIAL INFORMATION. THE REPRODUCTION, DISTRIBUTION AND UTILIZATION OF THIS DOCUMENT OR ITS CONTENTS TO ANY OTHERS, WITHOUT EXPRESS AUTHORIZATION, IS PROHIBITED.

DATE:

OR

APV01 YAMIR TELLEZ 10AP17

APV02 YAMIR TELLEZ 10AP17

APV03 R. SNADER 10AP17

APV04

SUBSTANCES OF CONCERN AND RECYCLED CONTENT PER DELPHI 10049901

MATERIAL: SEE CHART

DRAWING NAME: TAXI TERM F OCS 1.5

DRAWING NUMBER: 13849927

SIZE: A0

SCALE: 10:1

FRAME NO: 1 OF 1

SHEET NO: 3 OF 3

STG: R

REV: 02

N/P: -