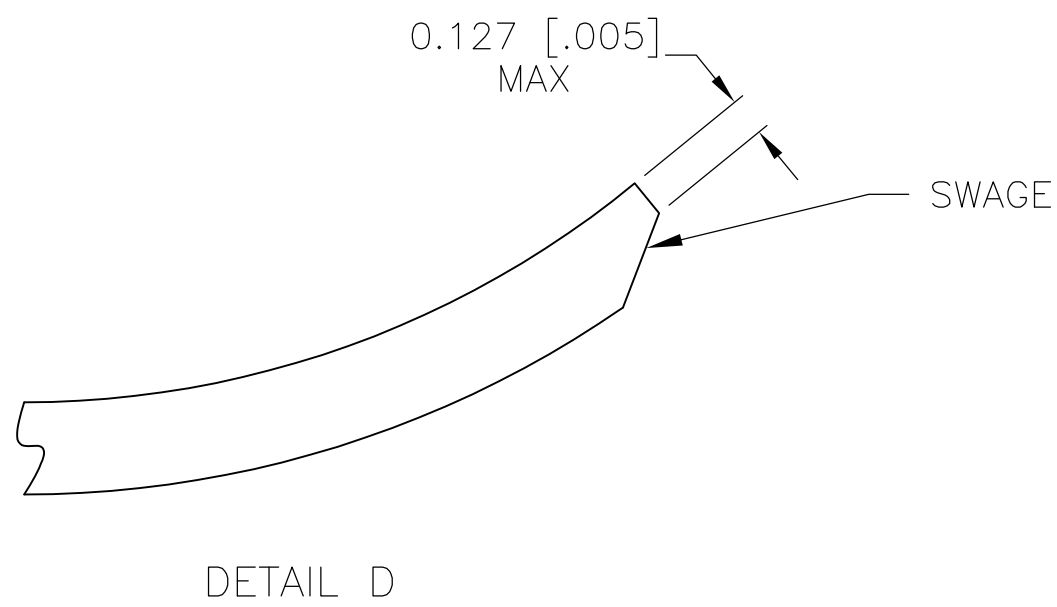
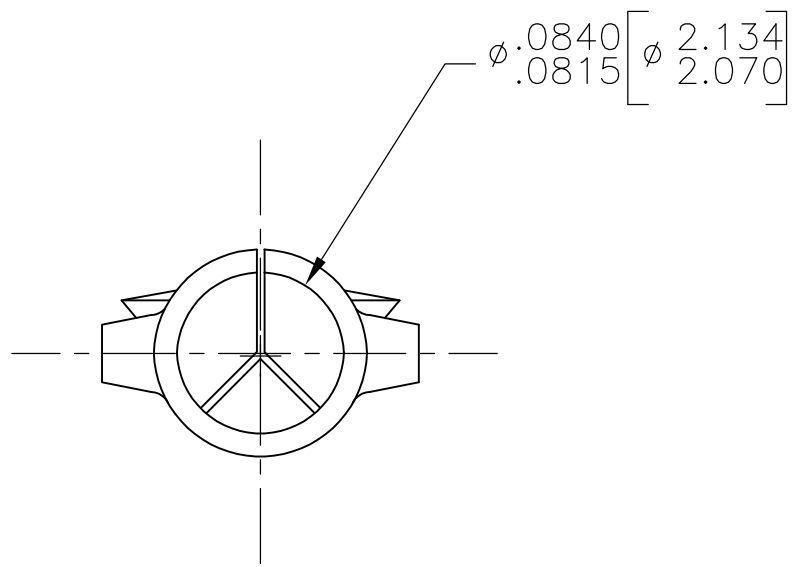
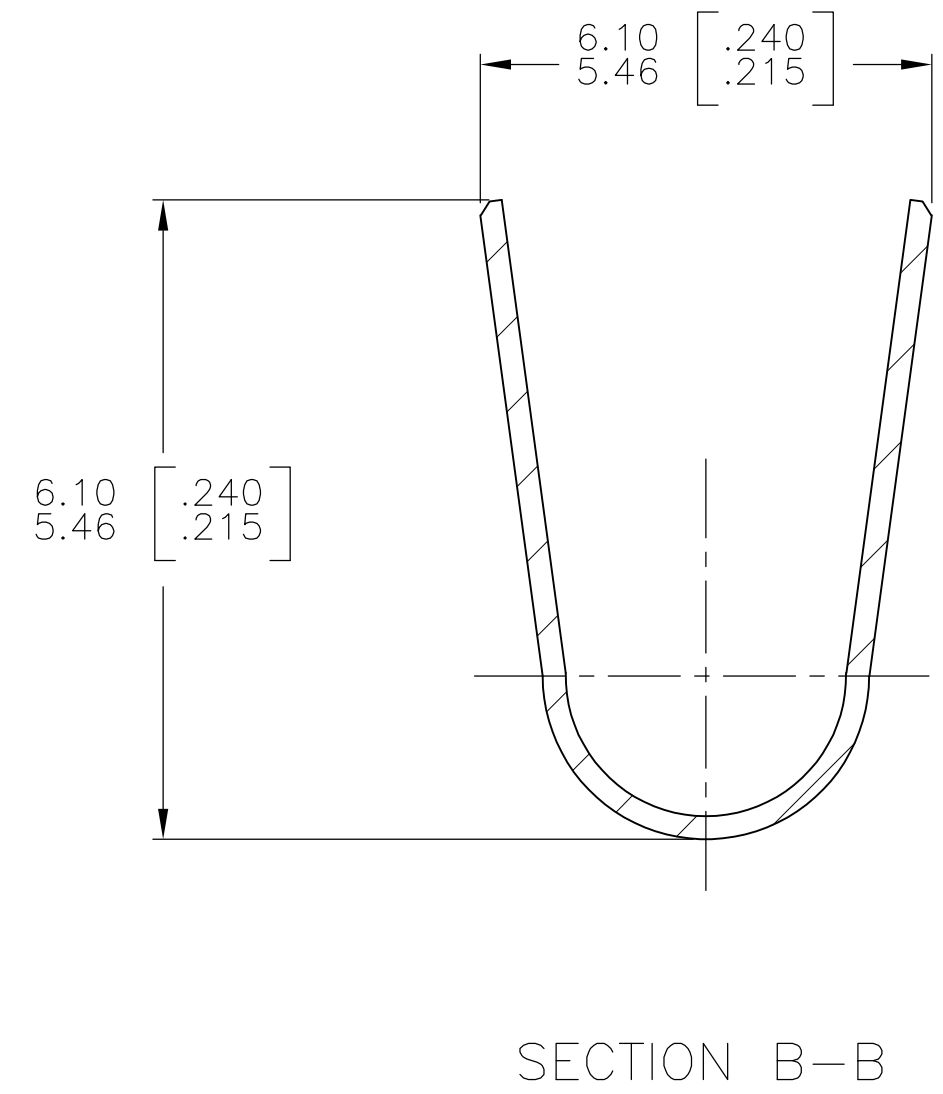
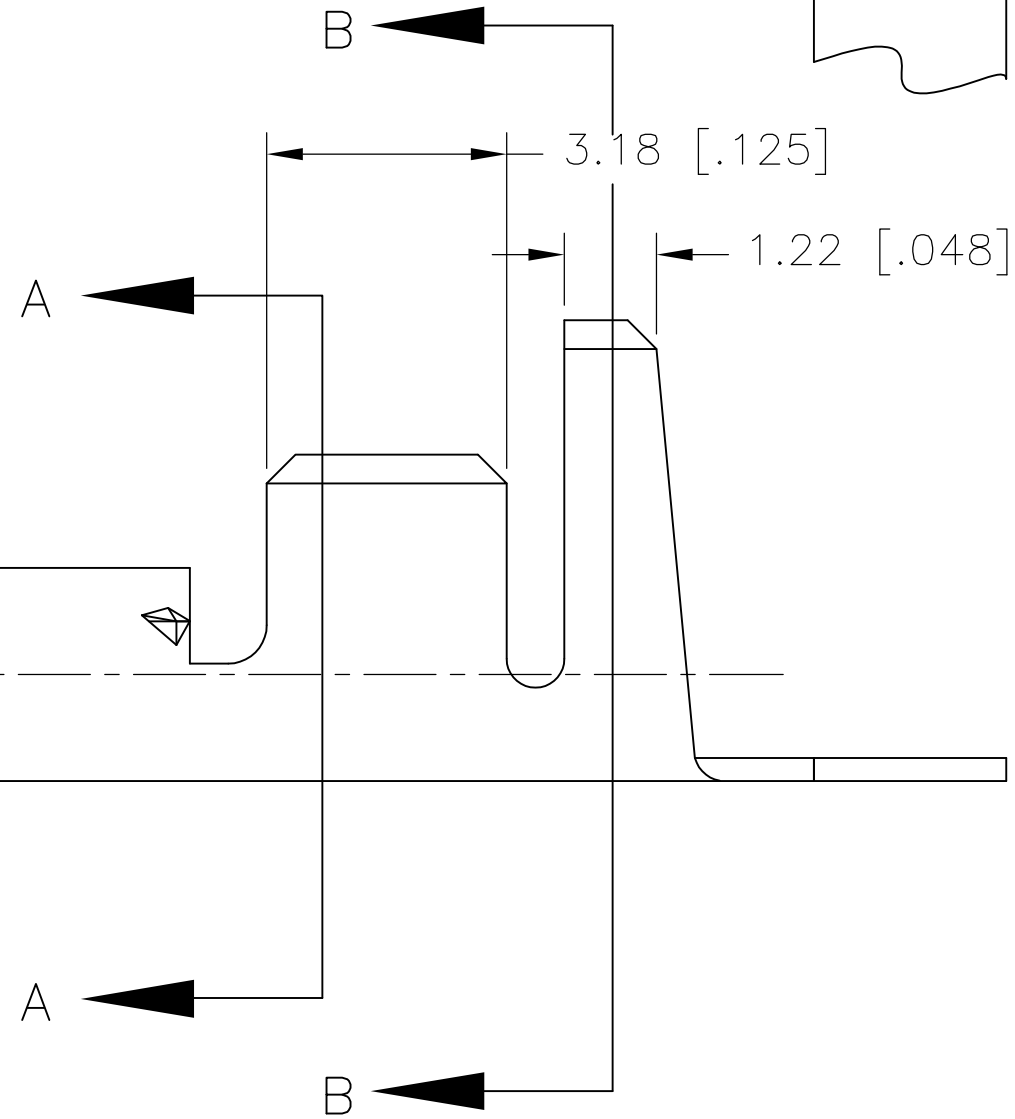
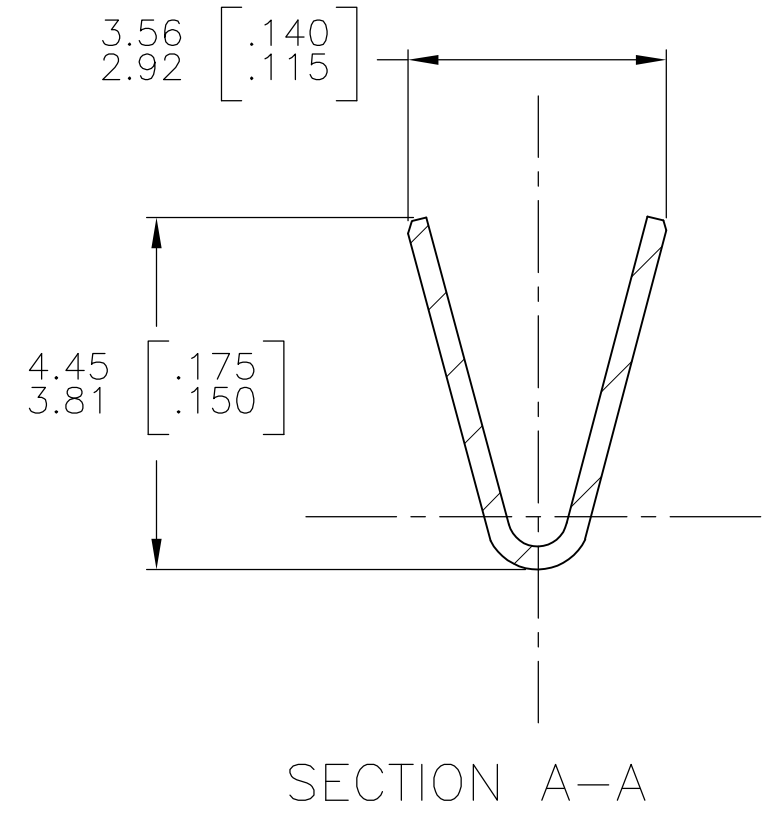
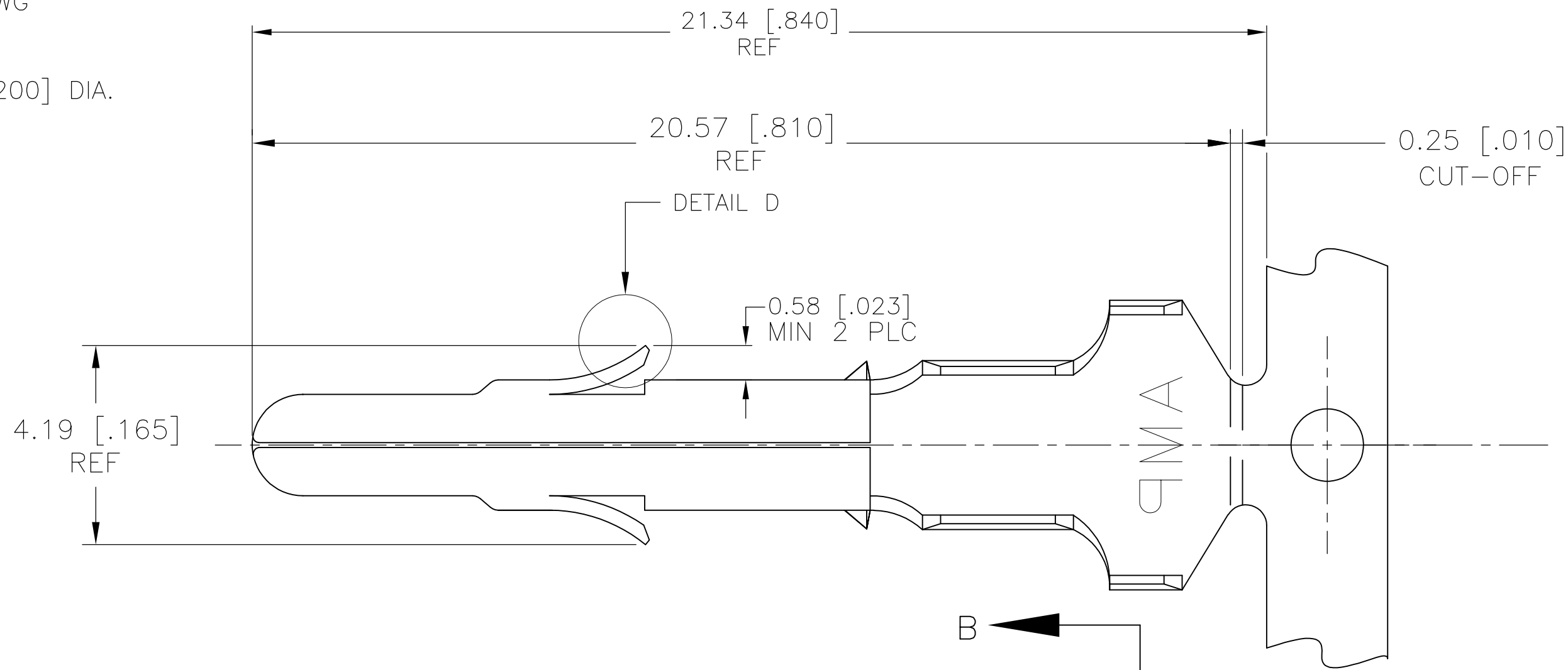


THIS DRAWING IS UNPUBLISHED. RELEASED FOR PUBLICATION  
 © COPYRIGHT - By - ALL RIGHTS RESERVED.

LOC		DIST		REVISIONS			
P	LTR	DESCRIPTION		DATE	DWN	APVD	
CM	00	V1	REVISED PER ECR-18-000509	17JAN2018	BDA	KR	

- 1 WIRE RANGE: 18-14 AWG
- 2 INSULATION RANGE:  
3.30-5.08 [.130-.200] DIA.



350918-3	PRE-TIN	.012 PH. BRZ.	350873-3
---	PRE-TIN	.012 BRASS	350873-1
LOOSE PIECE REFERENCE	FINISH	MATERIAL	PART NUMBER

THIS DRAWING IS A CONTROLLED DOCUMENT.		DWN	04-FEB-2003	TE Connectivity	
DIMENSIONS: mm [INCHES]		CHK	S. HOOVER	NAME	
TOLERANCES UNLESS OTHERWISE SPECIFIED:		APVD	S. RIDGILL	PIN, UNIVERSAL MATE-N-LOK™	
0 PLC ±	1 PLC ±	PRODUCT SPEC	S. RIDGILL	SIZE	CAGE CODE
2 PLC ±	3 PLC ± 0.38 [.015]	APPLICATION SPEC	04-FEB-2003	A2	00779
4 PLC ±	ANGLES ± 0°30'	WEIGHT	SCALE	C=350873	DRAWING NO
MATERIAL	FINISH	CUSTOMER DRAWING	10:1	RESTRICTED TO	---
SCALE			10:1	SHEET	1 OF 1
REV			V1		