

Thick Film Chip Resistors 0201

multicomp PRO

**RoHS
Compliant**



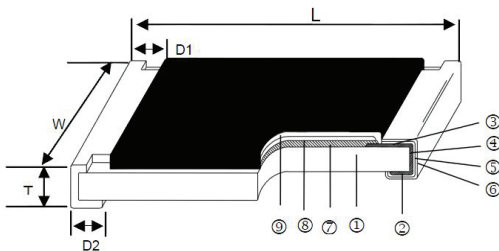
Features:

- Small size and light weight
- Highly reliable multilayer electrode construction
- Compatible with all soldering process

Applications:

- Telecommunication Equipments
- Radio and Tape Recorders, TV Tuners
- Digital Cameras, Watches, Pocket Calculators
- Automotive Industry
- Computers, Instruments
- Medical and Military Equipment

Construction:



1	Alumina Substrate	4	Edge Electrode (NiCr)	7	Resistor Layer (RuO ₂ /Ag)
2	Bottom Electrode (Ag)	5	Barrier Layer (Ni)	8	Primary Overcoat (Glass)
3	Top Electrode (Ag-Pd)	6	External Electrode (Sn)	9	Secondary Overcoat (Epoxy)

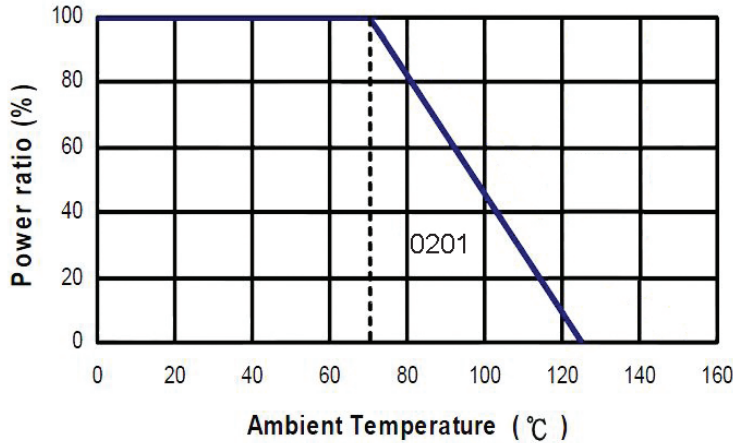
Dimensions

Unit: mm

Size (Inch)	L	W	T	D1	D2	Weight (g) (1,000pcs)
0201	0.60±0.03	0.30±0.03	0.23±0.03	0.15±0.05	0.15±0.05	0.150

Thick Film Chip Resistors 0201

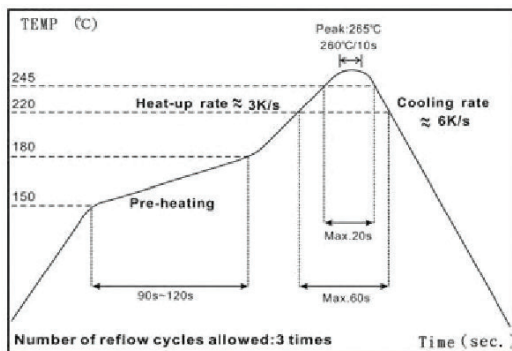
Derating Curve



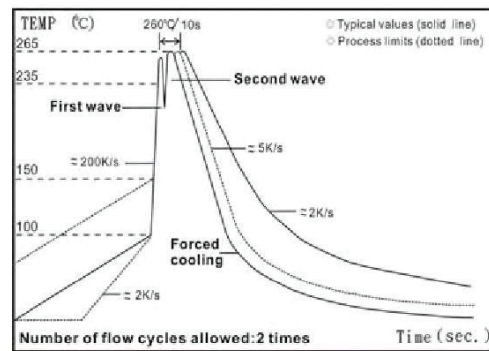
Standard Electrical Specifications

Item Type	Power Rating at 70°C Jumper Rated Current	Operating Temp. Range	Max. Operating Voltage	Max. Overload Voltage	Resistance Range		TCR (PPM/°C)
					±1%	±5%	
0201	1/20W	-55 ~ +125°C	25V	50V	1Ω - 10MΩ		±200
Jumper	1A				0Ω (<50mΩ)		-

Soldering Condition



IR Reflow Soldering



Wave Soldering (Flow Soldering)

- (1) Time of IR reflow soldering at maximum temperature point 260°C : 10s
- (2) Time of wave soldering at maximum temperature point 260°C : 10s
- (3) Time of soldering iron at maximum temperature point 410°C : 5s

Thick Film Chip Resistors 0201

multicomp PRO

Environmental Characteristics

Item	Requirement			Test Method
	±1% and Below	±5%	Jumper	
Temperature Coefficient of Resistance (T.C.R.)	As Spec.			JIS-C-5201-1 4.8 IEC-60115-1 4.8 -55°C~+125°C, 25°C is the reference temperature
Short Time Overload	±(1.0%+0.05Ω)	±(2.0%+0.05Ω)	<50mΩ	JIS-C-5201-1 4.13 IEC-60115-1 4.13 RCWV*2.5 or Max. overload voltage for 5 seconds, 2 seconds for high power series
Insulation Resistance	≥10G			JIS-C-5201-1 4.6 IEC-60115-1 4.6 Max. overload voltage for 1 minute
Endurance	±(1.0%+0.10Ω)	±(2.0%+0.10Ω)	<100mΩ	JIS-C-5201-1 4.25 IEC-60115-1 4.25.1 70±2°C, Max. working voltage for 1000 hrs with 1.5 hrs "ON" and 0.5 hrs "OFF"
Damp Heat with Load	±(1.0%+0.10Ω)	±(2.0%+0.10Ω)	<100mΩ	JIS-C-5201-1 4.24 40±2°C, 90~95% R.H. Max. working voltage for 1000 hrs with 1.5 hrs "ON" and 0.5 hrs "OFF"
Dry Heat	±(1.0%+0.05Ω)	±(1.5%+0.10Ω)	<50mΩ	JIS-C-5201-1 4.23 IEC-60115-1 2.23.2 at +125/+155°C for 1000 hrs
Bending Strength	±(1.0%+0.05Ω)	±(1.0%+0.05Ω)	<50mΩ	JIS-C-5201-1 4.33 IEC-60115-1 4.33 Bending once for 5 seconds 2010, 2512 sizes : 2mm Other sizes : 3mm
Solderability	95% min. coverage			JIS-C-5201-1 4.17 IEC-60115-1 4.17 245 ±5°C for 3 seconds
Resistance to Soldering Heat	±(0.5%+0.05Ω)	±(1.0%+0.05Ω)	<50mΩ	JIS-C-5201-1 4.18 IEC-60115-1 4.18 260 ±5°C for 10 seconds
Voltage Proof	No breakdown or flashover			JIS-C-5201-1 4.7 IEC-60115-1 4.7 1.42 times RCWV (RMS) for 1 minute
Leaching	Individual leaching area ≤ 5% Total leaching area ≤ 10%			JIS-C-5201-1 4.18 IEC-60068-2-58 8.2.1 260 ±5°C for 30 seconds
Rapid Change of Temperature	±(0.5%+0.05Ω)	±(1.0%+0.05Ω)	<50mΩ	JIS-C-5201-1 4.18 IEC-60115-1 4.18 -55°C to +125/+155°C, 5 cycles

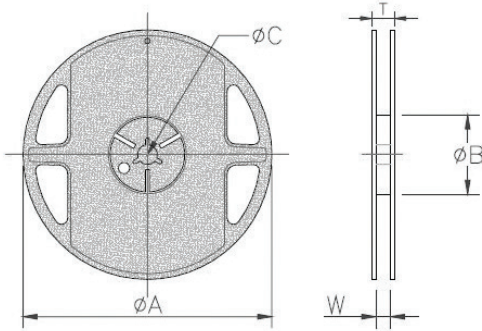
Storage Temperature: 15 ~ 28°C; Humidity < 80%RH

Thick Film Chip Resistors 0201

multicomp PRO

Packaging

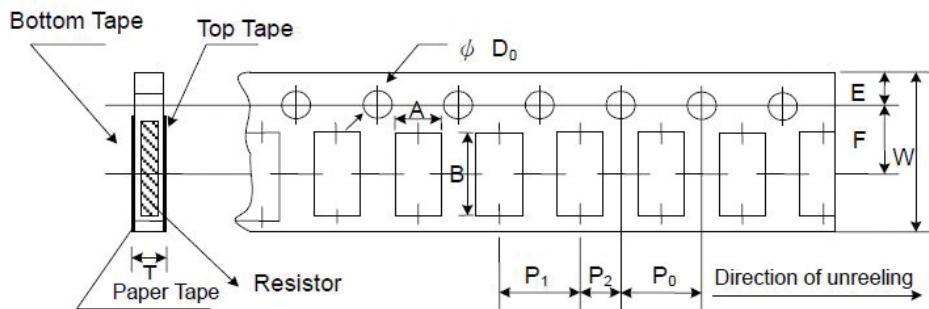
Reel Specifications & Packaging Quantity



Unit: mm

Type	Packaging Quantity	Tape Width	Reel Diameter	ΦA	ΦB	ΦC	W	T	
0201	Paper	15K to 20K	8mm	7 inch	178.5±1.5	60 ^{+1/-0}	13.0±0.2	9.0±0.5	12.5±0.5

Paper Tape Specifications



Unit: mm

Type	A	B	W	E	F	P_0	P_1	P_2	ΦD_0	T
0201	0.38±0.05	0.68±0.05	8 ± 0.2	1.75±0.1	3.5±0.05	4 ± 0.1	2±0.05	2±0.05	1.5±0.1, -0	0.42±0.2

Part Number Table

Description	Part Number
Resistor, 1K, 0.05W, 1%, 0201, Reel	MCRE000140
Resistor, 1K, 0.05W, 1%, 0201	MCRE000140
Resistor, 1M, 0.05W, 1%, 0201, Reel	MCRE000212
Resistor, 1M, 0.05W, 1%, 0201	MCRE000212
Resistor, 1R, 0.05W, 1%, 0201, Reel	MCRE000220
Resistor, 1R, 0.05W, 1%, 0201	MCRE000220
Resistor, 1K1, 0.05W, 1%, 0201, Reel	MCRE000141
Resistor, 1K1, 0.05W, 1%, 0201	MCRE000141

Description	Part Number
Resistor, 1M1, 0.05W, 1%, 0201, Reel	MCRE000239
Resistor, 1M1, 0.05W, 1%, 0201	MCRE000239
Resistor, 1R1, 0.05W, 1%, 0201, Reel	MCRE000221
Resistor, 1R1, 0.05W, 1%, 0201	MCRE000221
Resistor, 1K2, 0.05W, 1%, 0201, Reel	MCRE000142
Resistor, 1K2, 0.05W, 1%, 0201	MCRE000142
Resistor, 1M2, 0.05W, 1%, 0201, Reel	MCRE000240
Resistor, 1M2, 0.05W, 1%, 0201	MCRE000240

Newark.com/multicomp-pro
Farnell.com/multicomp-pro
Element14.com/multicomp-pro

multicomp PRO

Thick Film Chip Resistors 0201

multicomp PRO

Description	Part Number
Resistor, 1R2, 0.05W, 1%, 0201, Reel	MCRE000222
Resistor, 1R2, 0.05W, 1%, 0201	MCRE000222
Resistor, 1K3, 0.05W, 1%, 0201, Reel	MCRE000143
Resistor, 1K3, 0.05W, 1%, 0201	MCRE000143
Resistor, 1M3, 0.05W, 1%, 0201, Reel	MCRE000241
Resistor, 1M3, 0.05W, 1%, 0201	MCRE000241
Resistor, 1R3, 0.05W, 1%, 0201, Reel	MCRE000223
Resistor, 1R3, 0.05W, 1%, 0201	MCRE000223
Resistor, 1K5, 0.05W, 1%, 0201, Reel	MCRE000144
Resistor, 1K5, 0.05W, 1%, 0201	MCRE000144
Resistor, 1M5, 0.05W, 1%, 0201, Reel	MCRE000242
Resistor, 1M5, 0.05W, 1%, 0201	MCRE000242
Resistor, 1R5, 0.05W, 1%, 0201, Reel	MCRE000087
Resistor, 1R5, 0.05W, 1%, 0201	MCRE000087
Resistor, 1K6, 0.05W, 1%, 0201, Reel	MCRE000145
Resistor, 1K6, 0.05W, 1%, 0201	MCRE000145
Resistor, 1M6, 0.05W, 1%, 0201, Reel	MCRE000243
Resistor, 1M6, 0.05W, 1%, 0201	MCRE000243
Resistor, 1R6, 0.05W, 1%, 0201, Reel	MCRE000224
Resistor, 1R6, 0.05W, 1%, 0201	MCRE000224
Resistor, 1K8, 0.05W, 1%, 0201, Reel	MCRE000146
Resistor, 1K8, 0.05W, 1%, 0201	MCRE000146
Resistor, 1M8, 0.05W, 1%, 0201, Reel	MCRE000244
Resistor, 1M8, 0.05W, 1%, 0201	MCRE000244
Resistor, 1R8, 0.05W, 1%, 0201, Reel	MCRE000225
Resistor, 1R8, 0.05W, 1%, 0201	MCRE000225
Resistor, 10K, 0.05W, 1%, 0201, Reel	MCRE000164
Resistor, 10K, 0.05W, 1%, 0201	MCRE000164
Resistor, 10M, 0.05W, 1%, 0201, Reel	MCRE000262
Resistor, 10M, 0.05W, 1%, 0201	MCRE000262
Resistor, 10R, 0.05W, 1%, 0201, Reel	MCRE000092
Resistor, 10R, 0.05W, 1%, 0201	MCRE000092
Resistor, 100K, 0.05W, 1%, 0201, Reel	MCRE000188
Resistor, 100K, 0.05W, 1%, 0201	MCRE000188
Resistor, 100R, 0.05W, 1%, 0201, Reel	MCRE000116
Resistor, 100R, 0.05W, 1%, 0201	MCRE000116

Description	Part Number
Resistor, 11K, 0.05W, 1%, 0201, Reel	MCRE000165
Resistor, 11K, 0.05W, 1%, 0201	MCRE000165
Resistor, 11R, 0.05W, 1%, 0201, Reel	MCRE000093
Resistor, 11R, 0.05W, 1%, 0201	MCRE000093
Resistor, 110K, 0.05W, 1%, 0201, Reel	MCRE000189
Resistor, 110K, 0.05W, 1%, 0201	MCRE000189
Resistor, 110R, 0.05W, 1%, 0201, Reel	MCRE000117
Resistor, 110R, 0.05W, 1%, 0201	MCRE000117
Resistor, 12K, 0.05W, 1%, 0201, Reel	MCRE000166
Resistor, 12K, 0.05W, 1%, 0201	MCRE000166
Resistor, 12R, 0.05W, 1%, 0201, Reel	MCRE000094
Resistor, 12R, 0.05W, 1%, 0201	MCRE000094
Resistor, 120K, 0.05W, 1%, 0201, Reel	MCRE000190
Resistor, 120K, 0.05W, 1%, 0201	MCRE000190
Resistor, 120R, 0.05W, 1%, 0201, Reel	MCRE000118
Resistor, 120R, 0.05W, 1%, 0201	MCRE000118
Resistor, 13K, 0.05W, 1%, 0201, Reel	MCRE000167
Resistor, 13K, 0.05W, 1%, 0201	MCRE000167
Resistor, 13R, 0.05W, 1%, 0201, Reel	MCRE000095
Resistor, 13R, 0.05W, 1%, 0201	MCRE000095
Resistor, 130K, 0.05W, 1%, 0201, Reel	MCRE000191
Resistor, 130K, 0.05W, 1%, 0201	MCRE000191
Resistor, 130R, 0.05W, 1%, 0201, Reel	MCRE000119
Resistor, 130R, 0.05W, 1%, 0201	MCRE000119
Resistor, 15K, 0.05W, 1%, 0201, Reel	MCRE000168
Resistor, 15K, 0.05W, 1%, 0201	MCRE000168
Resistor, 15R, 0.05W, 1%, 0201, Reel	MCRE000096
Resistor, 15R, 0.05W, 1%, 0201	MCRE000096
Resistor, 150K, 0.05W, 1%, 0201, Reel	MCRE000192
Resistor, 150K, 0.05W, 1%, 0201	MCRE000192
Resistor, 150R, 0.05W, 1%, 0201, Reel	MCRE000120
Resistor, 150R, 0.05W, 1%, 0201	MCRE000120
Resistor, 16K, 0.05W, 1%, 0201, Reel	MCRE000169
Resistor, 16K, 0.05W, 1%, 0201	MCRE000169
Resistor, 16R, 0.05W, 1%, 0201, Reel	MCRE000097
Resistor, 16R, 0.05W, 1%, 0201	MCRE000097

Newark.com/multicomp-pro
Farnell.com/multicomp-pro
Element14.com/multicomp-pro

multicomp PRO

Thick Film Chip Resistors 0201

multicomp PRO

Description	Part Number
Resistor, 160K, 0.05W, 1%, 0201, Reel	MCRE000193
Resistor, 160K, 0.05W, 1%, 0201	MCRE000193
Resistor, 160R, 0.05W, 1%, 0201, Reel	MCRE000121
Resistor, 160R, 0.05W, 1%, 0201	MCRE000121
Resistor, 18K, 0.05W, 1%, 0201, Reel	MCRE000170
Resistor, 18K, 0.05W, 1%, 0201	MCRE000170
Resistor, 18R, 0.05W, 1%, 0201, Reel	MCRE000098
Resistor, 18R, 0.05W, 1%, 0201	MCRE000098
Resistor, 180K, 0.05W, 1%, 0201, Reel	MCRE000194
Resistor, 180K, 0.05W, 1%, 0201	MCRE000194
Resistor, 180R, 0.05W, 1%, 0201, Reel	MCRE000122
Resistor, 180R, 0.05W, 1%, 0201	MCRE000122
Resistor, 2K, 0.05W, 1%, 0201, Reel	MCRE000147
Resistor, 2K, 0.05W, 1%, 0201	MCRE000147
Resistor, 2M, 0.05W, 1%, 0201, Reel	MCRE000245
Resistor, 2M, 0.05W, 1%, 0201	MCRE000245
Resistor, 2R, 0.05W, 1%, 0201, Reel	MCRE000226
Resistor, 2R, 0.05W, 1%, 0201	MCRE000226
Resistor, 2K2, 0.05W, 1%, 0201, Reel	MCRE000148
Resistor, 2K2, 0.05W, 1%, 0201, Reel	MCRE000149
Resistor, 2K2, 0.05W, 1%, 0201	MCRE000148
Resistor, 2M2, 0.05W, 1%, 0201, Reel	MCRE000246
Resistor, 2M2, 0.05W, 1%, 0201	MCRE000246
Resistor, 2R2, 0.05W, 1%, 0201, Reel	MCRE000088
Resistor, 2R2, 0.05W, 1%, 0201	MCRE000088
Resistor, 2K4, 0.05W, 1%, 0201	MCRE000149
Resistor, 2M4, 0.05W, 1%, 0201, Reel	MCRE000247
Resistor, 2M4, 0.05W, 1%, 0201	MCRE000247
Resistor, 2R4, 0.05W, 1%, 0201, Reel	MCRE000227
Resistor, 2R4, 0.05W, 1%, 0201	MCRE000227
Resistor, 2K7, 0.05W, 1%, 0201, Reel	MCRE000150
Resistor, 2K7, 0.05W, 1%, 0201	MCRE000150
Resistor, 2M7, 0.05W, 1%, 0201, Reel	MCRE000248
Resistor, 2M7, 0.05W, 1%, 0201	MCRE000248
Resistor, 2R7, 0.05W, 1%, 0201, Reel	MCRE000228
Resistor, 2R7, 0.05W, 1%, 0201	MCRE000228

Description	Part Number
Resistor, 20K, 0.05W, 1%, 0201, Reel	MCRE000171
Resistor, 20K, 0.05W, 1%, 0201	MCRE000171
Resistor, 20R, 0.05W, 1%, 0201, Reel	MCRE000099
Resistor, 20R, 0.05W, 1%, 0201	MCRE000099
Resistor, 200K, 0.05W, 1%, 0201, Reel	MCRE000195
Resistor, 200K, 0.05W, 1%, 0201	MCRE000195
Resistor, 200R, 0.05W, 1%, 0201, Reel	MCRE000123
Resistor, 200R, 0.05W, 1%, 0201	MCRE000123
Resistor, 22K, 0.05W, 1%, 0201, Reel	MCRE000172
Resistor, 22K, 0.05W, 1%, 0201	MCRE000172
Resistor, 22R, 0.05W, 1%, 0201, Reel	MCRE000100
Resistor, 22R, 0.05W, 1%, 0201	MCRE000100
Resistor, 220K, 0.05W, 1%, 0201, Reel	MCRE000196
Resistor, 220K, 0.05W, 1%, 0201	MCRE000196
Resistor, 220R, 0.05W, 1%, 0201, Reel	MCRE000124
Resistor, 220R, 0.05W, 1%, 0201	MCRE000124
Resistor, 24K, 0.05W, 1%, 0201, Reel	MCRE000173
Resistor, 24K, 0.05W, 1%, 0201	MCRE000173
Resistor, 24R, 0.05W, 1%, 0201, Reel	MCRE000101
Resistor, 24R, 0.05W, 1%, 0201	MCRE000101
Resistor, 240K, 0.05W, 1%, 0201, Reel	MCRE000197
Resistor, 240K, 0.05W, 1%, 0201	MCRE000197
Resistor, 240R, 0.05W, 1%, 0201, Reel	MCRE000125
Resistor, 240R, 0.05W, 1%, 0201	MCRE000125
Resistor, 27K, 0.05W, 1%, 0201, Reel	MCRE000174
Resistor, 27K, 0.05W, 1%, 0201	MCRE000174
Resistor, 27R, 0.05W, 1%, 0201, Reel	MCRE000102
Resistor, 27R, 0.05W, 1%, 0201	MCRE000102
Resistor, 270K, 0.05W, 1%, 0201, Reel	MCRE000198
Resistor, 270K, 0.05W, 1%, 0201	MCRE000198
Resistor, 270R, 0.05W, 1%, 0201, Reel	MCRE000126
Resistor, 270R, 0.05W, 1%, 0201	MCRE000126
Resistor, 3K, 0.05W, 1%, 0201, Reel	MCRE000151
Resistor, 3K, 0.05W, 1%, 0201	MCRE000151
Resistor, 3M, 0.05W, 1%, 0201, Reel	MCRE000249
Resistor, 3M, 0.05W, 1%, 0201	MCRE000249

Thick Film Chip Resistors 0201

multicomp PRO

Description	Part Number
Resistor, 3R, 0.05W, 1%, 0201, Reel	MCRE000229
Resistor, 3R, 0.05W, 1%, 0201	MCRE000229
Resistor, 3K3, 0.05W, 1%, 0201, Reel	MCRE000152
Resistor, 3K3, 0.05W, 1%, 0201	MCRE000152
Resistor, 3M3, 0.05W, 1%, 0201, Reel	MCRE000250
Resistor, 3M3, 0.05W, 1%, 0201	MCRE000250
Resistor, 3R3, 0.05W, 1%, 0201, Reel	MCRE000089
Resistor, 3R3, 0.05W, 1%, 0201	MCRE000089
Resistor, 3K6, 0.05W, 1%, 0201, Reel	MCRE000153
Resistor, 3K6, 0.05W, 1%, 0201	MCRE000153
Resistor, 3M6, 0.05W, 1%, 0201, Reel	MCRE000251
Resistor, 3M6, 0.05W, 1%, 0201	MCRE000251
Resistor, 3R6, 0.05W, 1%, 0201, Reel	MCRE000230
Resistor, 3R6, 0.05W, 1%, 0201	MCRE000230
Resistor, 3K9, 0.05W, 1%, 0201, Reel	MCRE000154
Resistor, 3K9, 0.05W, 1%, 0201	MCRE000154
Resistor, 3M9, 0.05W, 1%, 0201, Reel	MCRE000252
Resistor, 3M9, 0.05W, 1%, 0201	MCRE000252
Resistor, 3R9, 0.05W, 1%, 0201, Reel	MCRE000231
Resistor, 3R9, 0.05W, 1%, 0201	MCRE000231
Resistor, 30K, 0.05W, 1%, 0201, Reel	MCRE000175
Resistor, 30K, 0.05W, 1%, 0201	MCRE000175
Resistor, 30R, 0.05W, 1%, 0201, Reel	MCRE000103
Resistor, 30R, 0.05W, 1%, 0201	MCRE000103
Resistor, 300K, 0.05W, 1%, 0201, Reel	MCRE000199
Resistor, 300K, 0.05W, 1%, 0201	MCRE000199
Resistor, 300R, 0.05W, 1%, 0201, Reel	MCRE000127
Resistor, 300R, 0.05W, 1%, 0201	MCRE000127
Resistor, 33K, 0.05W, 1%, 0201, Reel	MCRE000176
Resistor, 33K, 0.05W, 1%, 0201	MCRE000176
Resistor, 33R, 0.05W, 1%, 0201, Reel	MCRE000104
Resistor, 33R, 0.05W, 1%, 0201	MCRE000104
Resistor, 330K, 0.05W, 1%, 0201, Reel	MCRE000200
Resistor, 330K, 0.05W, 1%, 0201	MCRE000200
Resistor, 330R, 0.05W, 1%, 0201, Reel	MCRE000128
Resistor, 330R, 0.05W, 1%, 0201	MCRE000128

Description	Part Number
Resistor, 36K, 0.05W, 1%, 0201, Reel	MCRE000177
Resistor, 36K, 0.05W, 1%, 0201	MCRE000177
Resistor, 36R, 0.05W, 1%, 0201, Reel	MCRE000105
Resistor, 36R, 0.05W, 1%, 0201	MCRE000105
Resistor, 360K, 0.05W, 1%, 0201, Reel	MCRE000201
Resistor, 360K, 0.05W, 1%, 0201	MCRE000201
Resistor, 360R, 0.05W, 1%, 0201, Reel	MCRE000129
Resistor, 360R, 0.05W, 1%, 0201	MCRE000129
Resistor, 39K, 0.05W, 1%, 0201, Reel	MCRE000178
Resistor, 39K, 0.05W, 1%, 0201	MCRE000178
Resistor, 39R, 0.05W, 1%, 0201, Reel	MCRE000106
Resistor, 39R, 0.05W, 1%, 0201	MCRE000106
Resistor, 390K, 0.05W, 1%, 0201, Reel	MCRE000202
Resistor, 390K, 0.05W, 1%, 0201	MCRE000202
Resistor, 390R, 0.05W, 1%, 0201, Reel	MCRE000130
Resistor, 390R, 0.05W, 1%, 0201	MCRE000130
Resistor, 4K3, 0.05W, 1%, 0201, Reel	MCRE000155
Resistor, 4K3, 0.05W, 1%, 0201	MCRE000155
Resistor, 4M3, 0.05W, 1%, 0201, Reel	MCRE000253
Resistor, 4M3, 0.05W, 1%, 0201	MCRE000253
Resistor, 4R3, 0.05W, 1%, 0201, Reel	MCRE000232
Resistor, 4R3, 0.05W, 1%, 0201	MCRE000232
Resistor, 4K7, 0.05W, 1%, 0201, Reel	MCRE000156
Resistor, 4K7, 0.05W, 1%, 0201	MCRE000156
Resistor, 4M7, 0.05W, 1%, 0201, Reel	MCRE000254
Resistor, 4M7, 0.05W, 1%, 0201	MCRE000254
Resistor, 4R7, 0.05W, 1%, 0201, Reel	MCRE000090
Resistor, 4R7, 0.05W, 1%, 0201	MCRE000090
Resistor, 43K, 0.05W, 1%, 0201, Reel	MCRE000179
Resistor, 43K, 0.05W, 1%, 0201	MCRE000179
Resistor, 43R, 0.05W, 1%, 0201, Reel	MCRE000107
Resistor, 43R, 0.05W, 1%, 0201	MCRE000107
Resistor, 430K, 0.05W, 1%, 0201, Reel	MCRE000203
Resistor, 430K, 0.05W, 1%, 0201	MCRE000203
Resistor, 430R, 0.05W, 1%, 0201, Reel	MCRE000131
Resistor, 430R, 0.05W, 1%, 0201	MCRE000131

Newark.com/multicomp-pro
Farnell.com/multicomp-pro
Element14.com/multicomp-pro

multicomp PRO

Thick Film Chip Resistors 0201

multicomp PRO

Description	Part Number
Resistor, 47K, 0.05W, 1%, 0201, Reel	MCRE000180
Resistor, 47K, 0.05W, 1%, 0201	MCRE000180
Resistor, 47R, 0.05W, 1%, 0201, Reel	MCRE000108
Resistor, 47R, 0.05W, 1%, 0201	MCRE000108
Resistor, 470K, 0.05W, 1%, 0201, Reel	MCRE000204
Resistor, 470K, 0.05W, 1%, 0201	MCRE000204
Resistor, 470R, 0.05W, 1%, 0201, Reel	MCRE000132
Resistor, 470R, 0.05W, 1%, 0201	MCRE000132
Resistor, 5K1, 0.05W, 1%, 0201, Reel	MCRE000157
Resistor, 5K1, 0.05W, 1%, 0201	MCRE000157
Resistor, 5M1, 0.05W, 1%, 0201, Reel	MCRE000255
Resistor, 5M1, 0.05W, 1%, 0201	MCRE000255
Resistor, 5R1, 0.05W, 1%, 0201, Reel	MCRE000233
Resistor, 5R1, 0.05W, 1%, 0201	MCRE000233
Resistor, 5K6, 0.05W, 1%, 0201, Reel	MCRE000158
Resistor, 5K6, 0.05W, 1%, 0201	MCRE000158
Resistor, 5M6, 0.05W, 1%, 0201, Reel	MCRE000256
Resistor, 5M6, 0.05W, 1%, 0201	MCRE000256
Resistor, 5R6, 0.05W, 1%, 0201, Reel	MCRE000234
Resistor, 5R6, 0.05W, 1%, 0201	MCRE000234
Resistor, 51K, 0.05W, 1%, 0201, Reel	MCRE000181
Resistor, 51K, 0.05W, 1%, 0201	MCRE000181
Resistor, 51R, 0.05W, 1%, 0201, Reel	MCRE000109
Resistor, 51R, 0.05W, 1%, 0201	MCRE000109
Resistor, 510K, 0.05W, 1%, 0201, Reel	MCRE000205
Resistor, 510K, 0.05W, 1%, 0201	MCRE000205
Resistor, 510R, 0.05W, 1%, 0201, Reel	MCRE000133
Resistor, 510R, 0.05W, 1%, 0201	MCRE000133
Resistor, 56K, 0.05W, 1%, 0201, Reel	MCRE000182
Resistor, 56K, 0.05W, 1%, 0201	MCRE000182
Resistor, 56R, 0.05W, 1%, 0201, Reel	MCRE000110
Resistor, 56R, 0.05W, 1%, 0201	MCRE000110
Resistor, 560K, 0.05W, 1%, 0201, Reel	MCRE000206
Resistor, 560K, 0.05W, 1%, 0201	MCRE000206
Resistor, 560R, 0.05W, 1%, 0201, Reel	MCRE000134
Resistor, 560R, 0.05W, 1%, 0201	MCRE000134

Description	Part Number
Resistor, 6K2, 0.05W, 1%, 0201, Reel	MCRE000159
Resistor, 6K2, 0.05W, 1%, 0201	MCRE000159
Resistor, 6M2, 0.05W, 1%, 0201, Reel	MCRE000257
Resistor, 6M2, 0.05W, 1%, 0201	MCRE000257
Resistor, 6R2, 0.05W, 1%, 0201, Reel	MCRE000235
Resistor, 6R2, 0.05W, 1%, 0201	MCRE000235
Resistor, 6K8, 0.05W, 1%, 0201, Reel	MCRE000160
Resistor, 6K8, 0.05W, 1%, 0201	MCRE000160
Resistor, 6M8, 0.05W, 1%, 0201, Reel	MCRE000258
Resistor, 6M8, 0.05W, 1%, 0201	MCRE000258
Resistor, 6R8, 0.05W, 1%, 0201, Reel	MCRE000091
Resistor, 6R8, 0.05W, 1%, 0201	MCRE000091
Resistor, 62K, 0.05W, 1%, 0201, Reel	MCRE000183
Resistor, 62K, 0.05W, 1%, 0201	MCRE000183
Resistor, 62R, 0.05W, 1%, 0201, Reel	MCRE000111
Resistor, 62R, 0.05W, 1%, 0201	MCRE000111
Resistor, 620K, 0.05W, 1%, 0201, Reel	MCRE000207
Resistor, 620K, 0.05W, 1%, 0201	MCRE000207
Resistor, 620R, 0.05W, 1%, 0201, Reel	MCRE000135
Resistor, 620R, 0.05W, 1%, 0201	MCRE000135
Resistor, 68K, 0.05W, 1%, 0201, Reel	MCRE000184
Resistor, 68K, 0.05W, 1%, 0201	MCRE000184
Resistor, 68R, 0.05W, 1%, 0201, Reel	MCRE000112
Resistor, 68R, 0.05W, 1%, 0201	MCRE000112
Resistor, 680K, 0.05W, 1%, 0201, Reel	MCRE000208
Resistor, 680K, 0.05W, 1%, 0201	MCRE000208
Resistor, 680R, 0.05W, 1%, 0201, Reel	MCRE000136
Resistor, 680R, 0.05W, 1%, 0201	MCRE000136
Resistor, 7K5, 0.05W, 1%, 0201, Reel	MCRE000161
Resistor, 7K5, 0.05W, 1%, 0201	MCRE000161
Resistor, 7M5, 0.05W, 1%, 0201, Reel	MCRE000259
Resistor, 7M5, 0.05W, 1%, 0201	MCRE000259
Resistor, 7R5, 0.05W, 1%, 0201, Reel	MCRE000236
Resistor, 7R5, 0.05W, 1%, 0201	MCRE000236
Resistor, 75K, 0.05W, 1%, 0201, Reel	MCRE000185
Resistor, 75K, 0.05W, 1%, 0201	MCRE000185

Thick Film Chip Resistors 0201

multicomp PRO

Description	Part Number
Resistor, 75R, 0.05W, 1%, 0201, Reel	MCRE000113
Resistor, 75R, 0.05W, 1%, 0201	MCRE000113
Resistor, 750K, 0.05W, 1%, 0201, Reel	MCRE000209
Resistor, 750K, 0.05W, 1%, 0201	MCRE000209
Resistor, 750R, 0.05W, 1%, 0201, Reel	MCRE000137
Resistor, 750R, 0.05W, 1%, 0201	MCRE000137
Resistor, 8K2, 0.05W, 1%, 0201, Reel	MCRE000162
Resistor, 8K2, 0.05W, 1%, 0201	MCRE000162
Resistor, 8M2, 0.05W, 1%, 0201, Reel	MCRE000260
Resistor, 8M2, 0.05W, 1%, 0201	MCRE000260
Resistor, 8R2, 0.05W, 1%, 0201, Reel	MCRE000237
Resistor, 8R2, 0.05W, 1%, 0201	MCRE000237
Resistor, 82K, 0.05W, 1%, 0201, Reel	MCRE000186
Resistor, 82K, 0.05W, 1%, 0201	MCRE000186
Resistor, 82R, 0.05W, 1%, 0201, Reel	MCRE000114
Resistor, 82R, 0.05W, 1%, 0201	MCRE000114
Resistor, 820K, 0.05W, 1%, 0201, Reel	MCRE000210

Description	Part Number
Resistor, 820K, 0.05W, 1%, 0201	MCRE000210
Resistor, 820R, 0.05W, 1%, 0201, Reel	MCRE000138
Resistor, 820R, 0.05W, 1%, 0201	MCRE000138
Resistor, 9K1, 0.05W, 1%, 0201, Reel	MCRE000163
Resistor, 9K1, 0.05W, 1%, 0201	MCRE000163
Resistor, 9M1, 0.05W, 1%, 0201, Reel	MCRE000261
Resistor, 9M1, 0.05W, 1%, 0201	MCRE000261
Resistor, 9R1, 0.05W, 1%, 0201, Reel	MCRE000238
Resistor, 9R1, 0.05W, 1%, 0201	MCRE000238
Resistor, 91K, 0.05W, 1%, 0201, Reel	MCRE000187
Resistor, 91K, 0.05W, 1%, 0201	MCRE000187
Resistor, 91R, 0.05W, 1%, 0201, Reel	MCRE000115
Resistor, 91R, 0.05W, 1%, 0201	MCRE000115
Resistor, 910K, 0.05W, 1%, 0201, Reel	MCRE000211
Resistor, 910K, 0.05W, 1%, 0201	MCRE000211
Resistor, 910R, 0.05W, 1%, 0201, Reel	MCRE000139
Resistor, 910R, 0.05W, 1%, 0201	MCRE000139

Important Notice : This data sheet and its contents (the "Information") belong to the members of the AVNET group of companies (the "Group") or are licensed to it. No licence is granted for the use of it other than for information purposes in connection with the products to which it relates. No licence of any intellectual property rights is granted. The Information is subject to change without notice and replaces all data sheets previously supplied. The Information supplied is believed to be accurate but the Group assumes no responsibility for its accuracy or completeness, any error in or omission from it or for any use made of it. Users of this data sheet should check for themselves the Information and the suitability of the products for their purpose and not make any assumptions based on information included or omitted. Liability for loss or damage resulting from any reliance on the Information or use of it (including liability resulting from negligence or where the Group was aware of the possibility of such loss or damage arising) is excluded. This will not operate to limit or restrict the Group's liability for death or personal injury resulting from its negligence. Multicomp Pro is the registered trademark of Premier Farnell Limited 2019.

Newark.com/multicomp-pro
Farnell.com/multicomp-pro
Element14.com/multicomp-pro

multicomp PRO