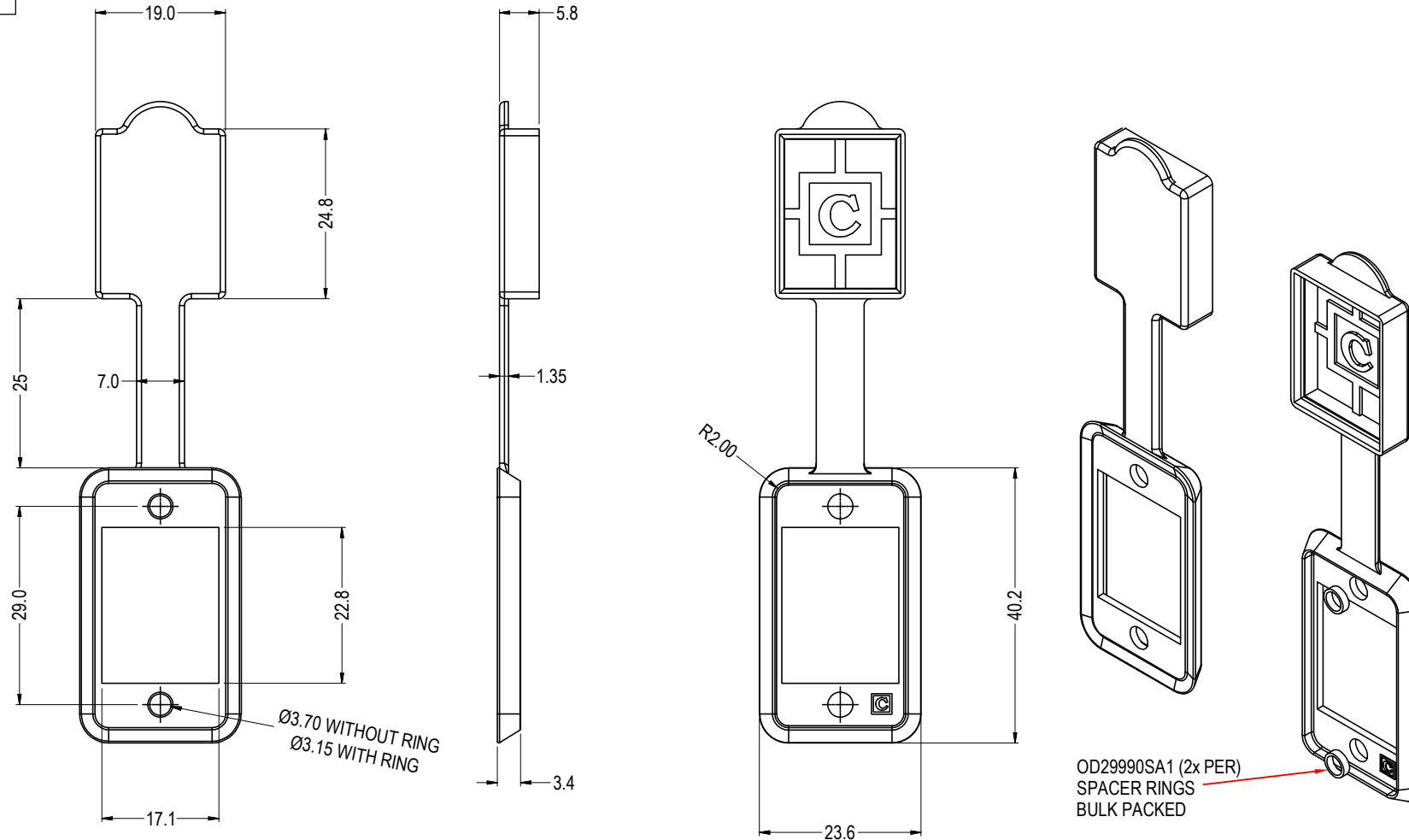


| ISS. | AMEND | DATE |
|------|--------|----------|
| 1 | ISSUED | 13/07/21 |



NOTES

- 1) GASKETS SUPPLIED BULK PACKED.
- 2) 2x SPACER RINGS PER GASKET, SUPPLIED BULK PACKED.
- 3) OTHER COLOURS AVAILABLE ON REQUEST, SUBJECT TO MOQ.

| VARIANTS | |
|----------|--------|
| PART No. | COLOUR |
| CP299822 | BLACK |
| CP299825 | GREEN |
| CP299827 | RED |
| CP299828 | BLUE |



TOLERANCE
 NO DEC. PLACE ±
 1 DEC. PLACE ±
 2 DEC. PLACE ±
 HOLE Ø ±
 ANGLES ±
 UNLESS OTHERWISE STATED

Cliff Electronic Components Ltd.

76 Holmethorpe Avenue, Holmethorpe Industrial Estate,
 Redhill, Surrey, RH1 2PF, England, UK
 Tel: 01737-771375 Fax: 01737-766012 Website: www.cliffuk.co.uk

DIMENSIONS IN MILLIMETERS UNLESS OTHERWISE STATED. WORK TO DIMENSIONS. REMOVE ALL BURRS. IF IN DOUBT ASK.

3rd ANGLE PROJECTION:

DO NOT SCALE

MATERIAL: SILICONE RUBBER

TITLE: SLIM FT GASKET WITH DUST CAP KIT

FINISH: ALL OUTER SURFACES SPARK 24 VDI

THE CONTENTS OF THIS DOCUMENT MUST NOT BE COPIED OR DISCLOSED TO A 3rd PARTY WITHOUT WRITTEN PERMISSION OF CLIFF UK. © 2021

DRAWN: DPJ

APPROVED: C.A.M.J.

DRWG. No. **CP299822**

FORM: A4DRWGH