

# R82G -Pressure Regulators Excelon® Plus Modular System



- > Port size: 1/4" ... 3/8" (ISO G/PTF)
- > Excelon® Plus design allows in-line installation or modular installation with other Excelon® Plus products
- > Push to lock adjusting knob with built in tamper resistant feature
- > Easy to read flush mounted integrated pressure gauge as standard



## Technical features

### Medium:

Compressed air only

**Maximum supply pressure:**  
20 bar (290 psi)

**Outlet pressure ranges:**  
0,3 ...10 bar (4 ... 145 psi),  
0,3 ... 4 bar (4 ... 58 psi) optional,  
0,7 ... 17 bar (10 ... 247 psi) optional

**Gauge:**  
Integrated as standard  
Gauge port 1/8 as option

### Port size:

G1/4, G3/8,  
1/4 PTF, 3/8 PTF


**Diaphragm Type:**  
Relieving

**Flow:**  
33 dm<sup>3</sup>/s (port size: 1/4") and  
31 dm<sup>3</sup>/s (port size: 3/8") at  
inlet pressure 10 bar (145 psi),  
6,3 bar (91 psi) set pressure and a  
 $\Delta p$ : 1 bar (14,5 psi) droop from set.

### Ambient/Media temperature:

-20 ... +65°C (-4 ... +149°F)  
Air supply must be dry enough  
to avoid ice formation at  
temperatures below +2°C  
(+35°F).

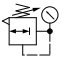
**Atex:**  
Regulators R82 are in conformity  
with Atex 2014/34/EU

 II 2 GD  
Ex h IIC T6 Gb  
EX h IIIC T85°C Db

### Materials:

Body: Die cast aluminium  
Body covers: ABS  
Bonnet: POM/Aluminium  
Valve: PP  
Elastomers: NBR

## Technical data R82G—standard models

Symbol	Port size	Pressure range (bar)	Adjustment	Integrated gauge (bar)	Weight (kg)	Model *1)
	G1/4	0,3 ... 10	Knob	0 ... 10	0,23	R82G-2GK-RMG
	G3/8	0,3 ... 10	Knob	0 ... 10	0,23	R82G-3GK-RMG

\*1) All models shown here are supplied with integrated gauge applicable for flow direction left to right.

With flow direction right to left please use the online configurator [www.imi-precision.com/air-preparation-configurator](http://www.imi-precision.com/air-preparation-configurator) or contact IMI Norgren.

**Option selector \*1)**
**R82★-★★★-R★★**

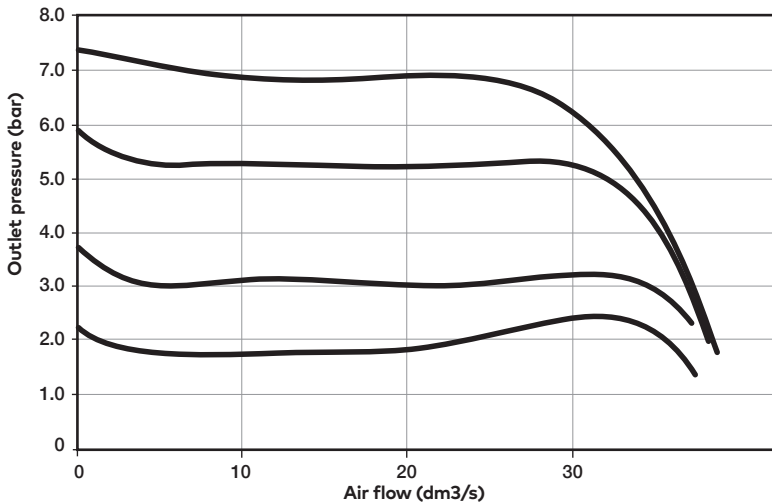
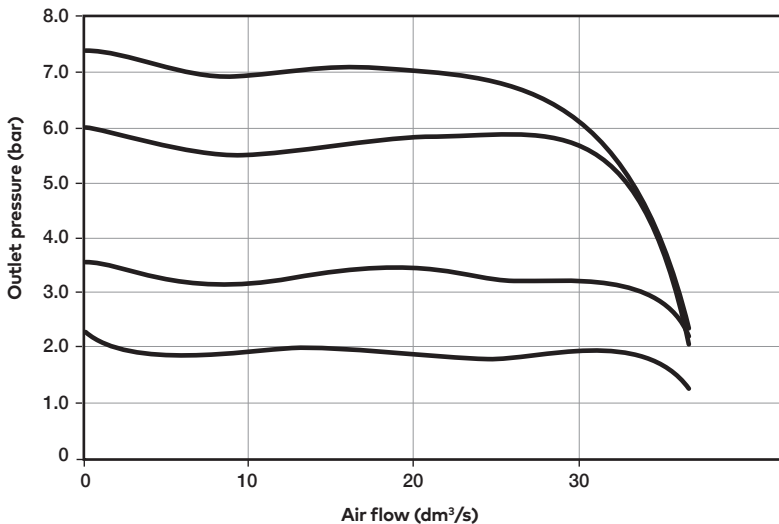
Flow	Substitute
General	<b>G</b>
Reverse flow	<b>R</b>
Port size	Substitute
1/4"	<b>2</b>
3/8"	<b>3</b>
Thread form	Substitute
PTF	<b>A</b>
ISO G (standard)	<b>G</b>
Adjustment	Substitute
Knob	<b>K</b>
T-bar	<b>T*2)</b>

Gauge	Substitute
With integrated gauge	<b>G</b>
Without integrated gauge but with gauge port 1/8"	<b>N</b>
Pressure range *3)	Substitute
0.3 ... 4 bar	<b>F</b>
0.3 ... 10 bar (standard)	<b>M</b>
0.7 ... 17 bar	<b>S*2)</b>


















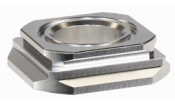
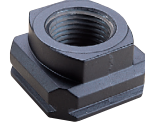

\*3) Outlet pressure can be adjusted to pressures in excess of, and less than, those specified. Do not use these units to control pressures outside of the specified ranges.

\*1) All models shown here are applicable for flow direction left to right. With flow direction right to left please use the online configurator [www.imi-precision.com/air-preparation-configurator](http://www.imi-precision.com/air-preparation-configurator) or contact IMI Norgren.

\*2) Units with 17 bar outlet pressure range are available only with the T-bar adjustment; therefore substitute T at the 7th position and S at the 9th position. T-bar handle only available with 17 bar option.

**Flow characteristics**
**Inlet pressure: 10 bar (145 psi)**
**Range: 0.3...10 bar (4...145 psi)**
**Port size: 1/4"**

**Inlet pressure: 10 bar (145 psi)**
**Range: 0.3...10 bar (4...145 psi)**
**Port size: 3/8"**


## Accessories

<b>Quikclamp®</b>  <b>Page 3</b> 820014-51KIT	<b>Quikclamp® with bracket assembled</b>  <b>Page 3</b> 820014-52KIT	<b>Neck mounting bracket and panel nut</b>  <b>Page 4</b> 820068-51KIT	<b>Panel mounting nut</b>  <b>Page 4</b> 820048-89KIT	<b>Mounting bracket</b>  <b>Page 4</b> 820024-50KIT
<b>Integrated gauge 10 bar gauge</b>  820073-01KIT	<b>Integrated gauge 20 bar gauge</b>  820073-02KIT	<b>Integrated gauge 4 bar gauge</b>  820073-03KIT	<b>Gauge adaptor kit 1/8 PTF</b>  820100-01KIT	<b>Gauge adaptor kit R 1/8</b>  820100-02KIT
<b>Pressure sensing block 1/4 PTF</b>  <b>Page 4</b> 820016-50KIT	<b>Pressure sensing block G1/4</b>  <b>Page 4</b> 820016-51KIT	<b>Porting block 3/8" PTF</b>  <b>Page 4</b> 820028-50KIT	<b>Porting block G3/8</b>  <b>Page 4</b> 820028-53KIT	<b>Pressure switch interface block (18D pressure switch) G1/4</b>  <b>Page 5</b> 0523109000000000
<b>Pressure switch 18D (0,5 ... 8bar) *1</b>  <b>Page 5</b> 0881300	<b>Digital pressure switch 51D (-1 ... 10 bar) *2</b>  <b>Page 5</b> 0860810	<b>Connector 84-82 Series *3</b>  <b>Page 7</b> 4417-01	<b>Port Adaptors</b>  <b>Page 5</b> 1/4 PTF 820015-02KIT 3/8 PTF 820015-03KIT G1/4 820015-08KIT G3/8 820015-09KIT	<b>Service Kits</b> <b>R82 / B82 Elastomere kit</b>  FRLB82-Kit

\*1) Flanged version. For other pressure ranges, please see data sheet 5.11.001

\*2) For other pressure ranges, please see data sheet 5.11.385

\*3) For connection please use Quikclamp 82 series and Hybrid-Quikclamp 84 series

## Gauges (For regulators with gauge port instead of integrated port)

**Center back connection, white face**  
**(for full technical specification see datasheet 8.900.900)**



Pressure range (bar)*3 (MPa)	(psi)	ø	Thread size	Model	
0 ... 6	0 ... 0,6	0 ... 84	40 mm	R1/8	18-015-885
0 ... 10	0 ... 1	0 ... 145	40 mm	R1/8	18-015-989
0 ... 25	0 ... 2,5	0 ... 362	40 mm	R1/8	18-015-908

\*3) primary scale

### Padlock



84a0055-01KIT

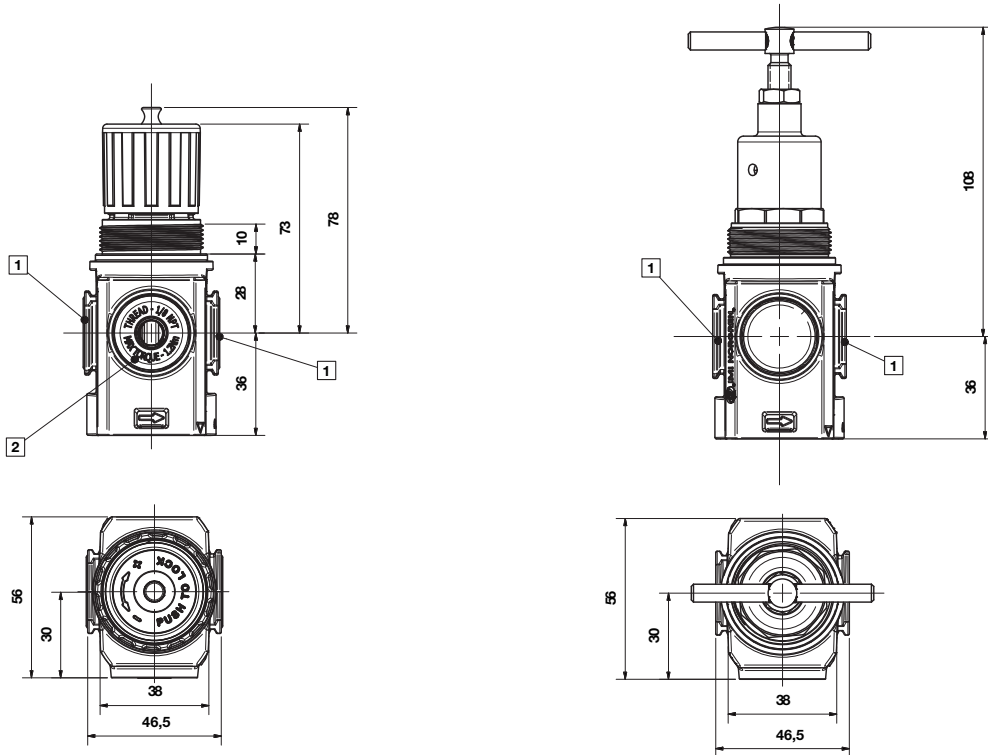
### Lockout device



840055-02KIT

## Dimensions

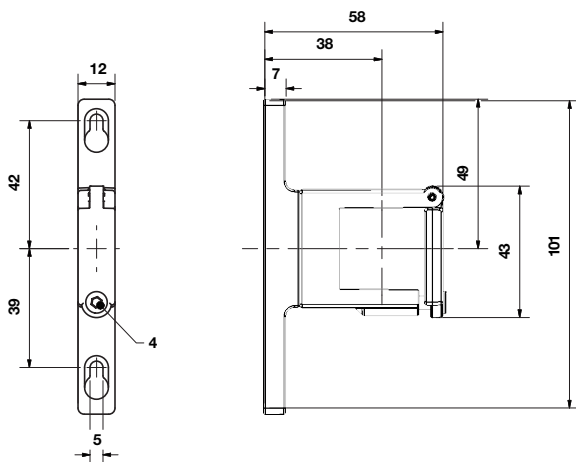
Dimensions in mm  
Projection/First angle



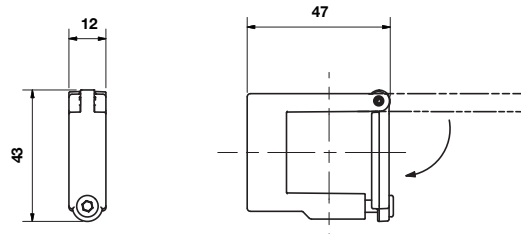
- 1 Main ports 1/4", 3/8",  
(ISO G/PTF)
- 2 Gauge port Rc 1/8 for  
ISO G and 1/8 PTF  
for PTF main ports

## Accessories

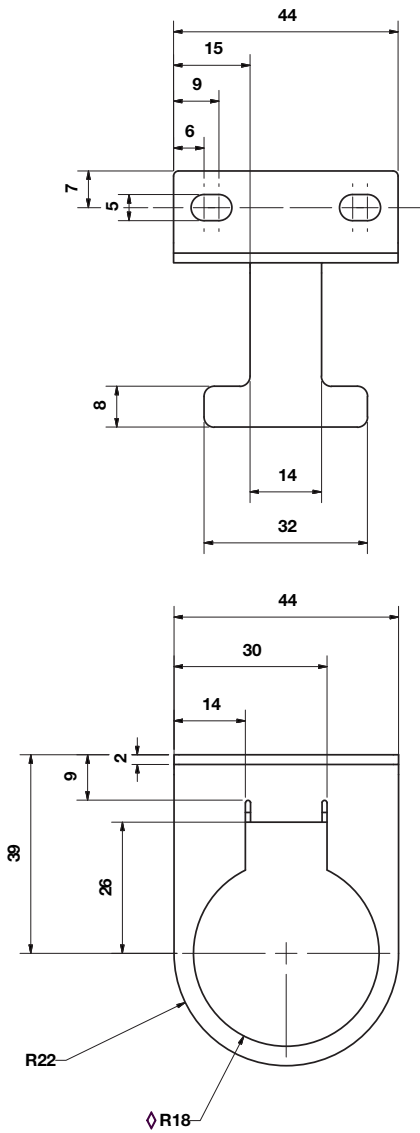
### Quikclamp® with wall bracket



### Quikclamp®

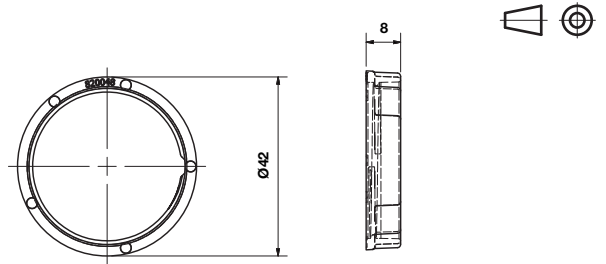


### Neck mounting bracket

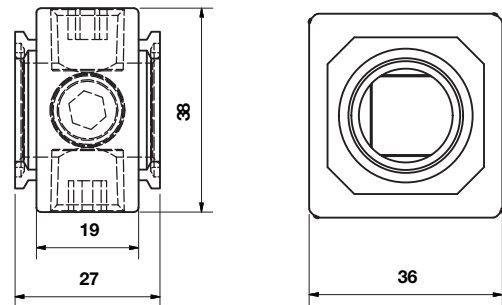


### Panel mounting nut

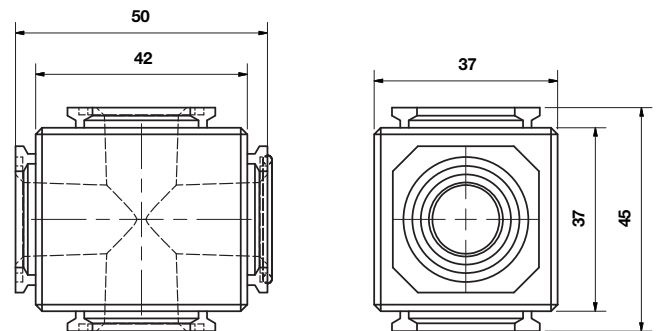
Dimensions in mm  
Projection/First angle



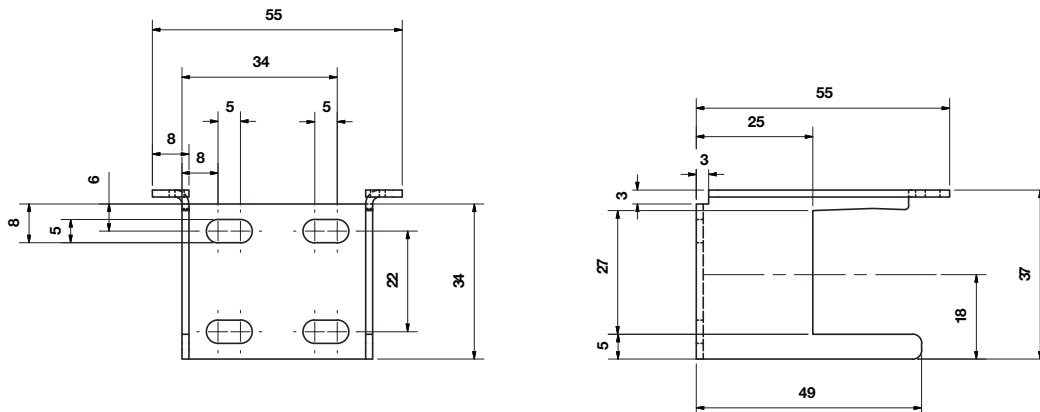
### Pressure sensing block



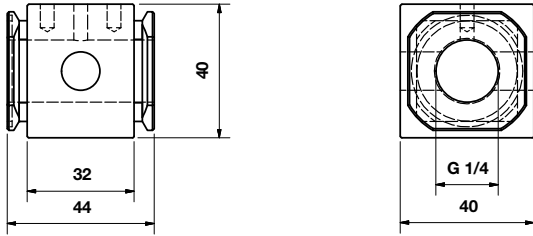
### Porting block



### Wall Mounting bracket

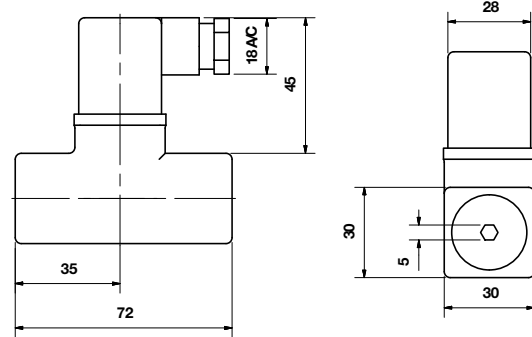


**Porting block**

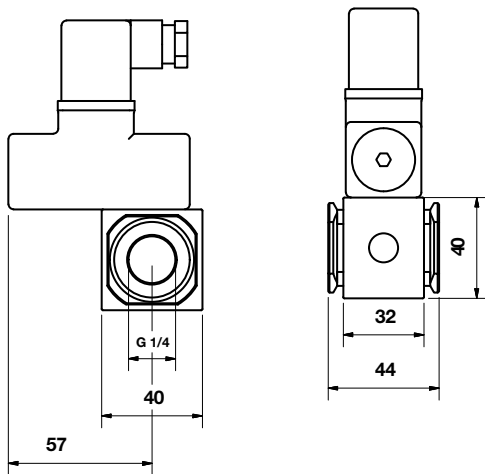


**18D Pressure switch**

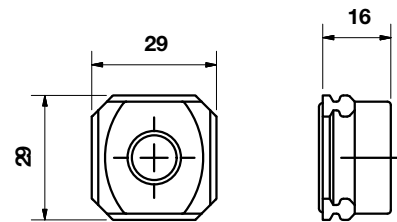
Dimensions in mm  
Projection/First angle



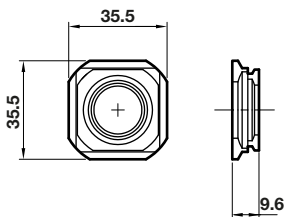
**18D Porting block and 18D assembled**



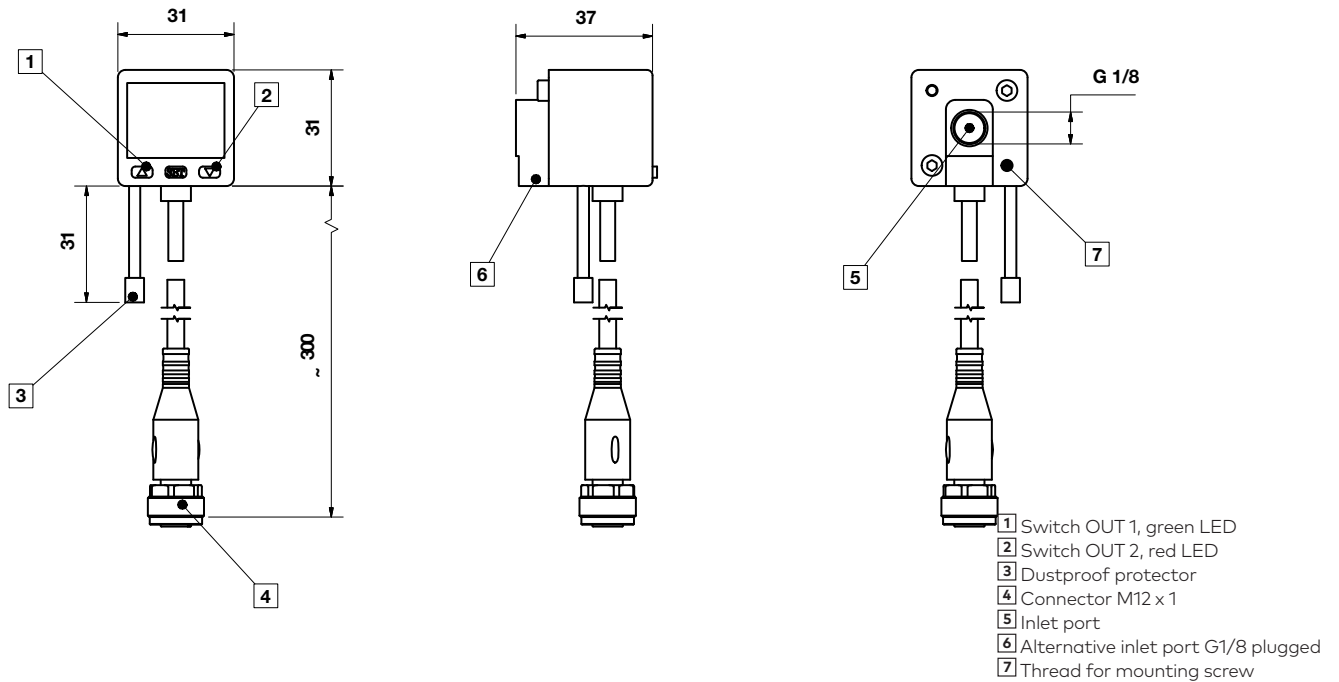
**Pipe adaptor**



**Connector 84-82 Series**



**51D Pressure switch - digital**

 Dimensions in mm  
 Projection/First angle

**Warning**

These products are intended for use in industrial compressed air systems only. Do not use these products where pressures and temperatures can exceed those listed under »**Technical features/data**«.

Before using these products with fluids other than those specified, for non-industrial applications, life-support systems or other applications not within published specifications, consult Norgren Ltd.

Through misuse, age, or malfunction, components used in fluid power systems can fail in various modes.

The system designer is warned to consider the failure modes of all component parts used in fluid power systems and to provide adequate safeguards to prevent personal injury or damage to equipment in the event of such failure.

System designers must provide a warning to end users in the system instructional manual if protection against a failure mode cannot be adequately provided.

System designers and end users are cautioned to review specific warnings found in instruction sheets packed and shipped with these products.