

The S-58LM20A Series is a high-accuracy temperature sensor IC on a single chip, provides output voltage which is linear against the temperature change.

Each chip consists of a temperature sensor, a constant current circuit, and an operational amplifier.

The operating ambient temperature is from  $-55^{\circ}\text{C}$  to  $130^{\circ}\text{C}$ . This IC has much better linearity than other conventional temperature sensors such as thermistor, it is possible to achieve the extensive application for temperature control.

## ■ Features

- Accuracy against temperature  $\pm 2.5^{\circ}\text{C}$  ( $-55^{\circ}\text{C}$  to  $+130^{\circ}\text{C}$ )
- Linear output voltage  $-11.77\text{ mV}/^{\circ}\text{C}$  Typ.  
Ta =  $-30^{\circ}\text{C}$  : 2.205 V Typ.  
Ta =  $+30^{\circ}\text{C}$  : 1.515 V Typ.  
Ta =  $+130^{\circ}\text{C}$  : 0.303 V Typ.
- Nonlinearity  $\pm 0.4\%$  Typ. ( $-20$  to  $+80^{\circ}\text{C}$ )
- Operation in wide range of power supply voltage  $V_{\text{DD}} = 2.4$  to  $5.5\text{ V}$  ( $-30^{\circ}\text{C}$  to  $+130^{\circ}\text{C}$ )  
 $V_{\text{DD}} = 2.7$  to  $5.5\text{ V}$  ( $-55^{\circ}\text{C}$  to  $+130^{\circ}\text{C}$ )
- Low current consumption  $4.5\text{ }\mu\text{A}$  Typ. ( $+25^{\circ}\text{C}$ )  $6.0\text{ }\mu\text{A}$  Max. ( $-55^{\circ}\text{C}$  to  $+130^{\circ}\text{C}$ )
- Built-in operational amplifier
- Output voltage referred to  $V_{\text{SS}}$
- Lead-free, Sn 100%, halogen-free\*1

\*1. Refer to "■ Product Name Structure" for details.

## ■ Applications

- Compensation of high-frequency circuits such as cellular phones and radio equipment
- Compensation of oscillation frequency in crystal oscillator
- LCD contrast compensation
- Compensation of amplifier gain
- Compensation of auto focus circuits
- Temperature detection in battery management
- Overheating prevention for charged batteries or halogen lights

## ■ Package

- SC-82AB
- SNT-4A
- WLP-4B

■ Block Diagram

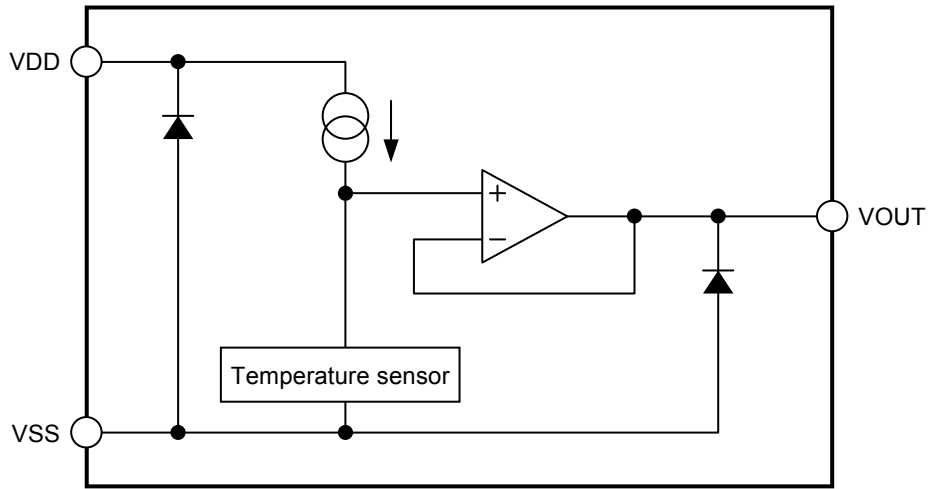


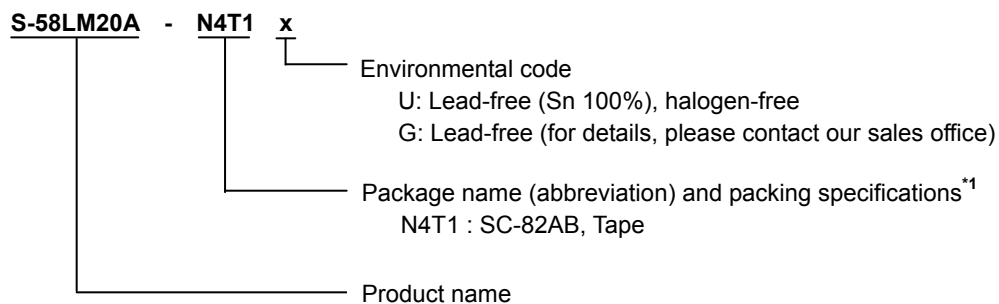
Figure 1

## ■ Product Name Structure

Users can select the product type in the S-58LM20A Series. Refer to “1. Product name” regarding the contents of product name, “2. Package” regarding the package drawings and “3. Product name list” regarding the product type.

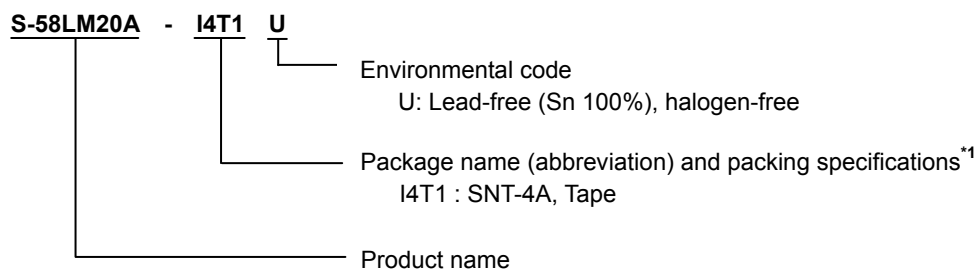
### 1. Product name

#### (1) SC-82AB package



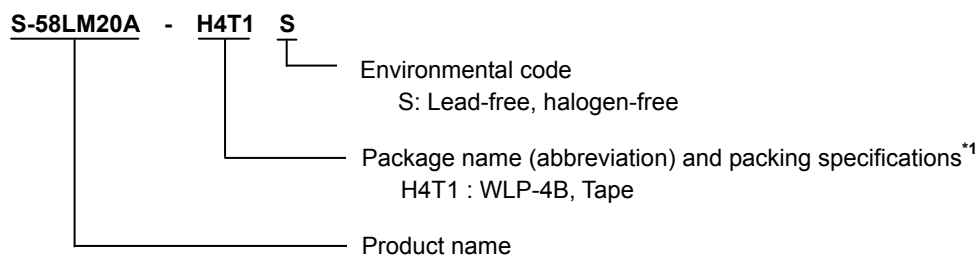
\*1. Refer to the tape drawing.

#### (2) SNT-4A package



\*1. Refer to the tape drawing.

#### (3) WLP-4B package



\*1. Refer to the tape drawing.

**2. Package**

Package Name	Drawing Code			
	Package	Tape	Reel	Land
SC-82AB	NP004-A-P-SD	NP004-A-C-SD	NP004-A-R-SD	—
SNT-4A	PF004-A-P-SD	PF004-A-C-SD	PF004-A-R-SD	PF004-A-L-SD
WLP-4B	HB004-C-P-SD	HB004-C-C-SD	HB004-C-R-SD	—

**3. Product name list**

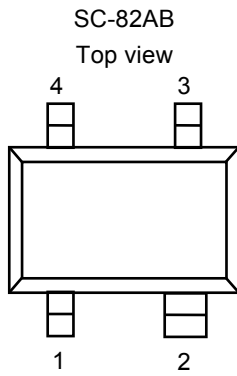
**Table 1**

Product Name	Temperature Accuracy	Package
S-58LM20A-N4T1x	±2.5°C	SC-82AB
S-58LM20A-I4T1U	±2.5°C	SNT-4A
S-58LM20A-H4T1S	±2.5°C	WLP-4B

**Remark 1.** x: G or U

2. Please select products of environmental code = U for Sn 100%, halogen-free products.

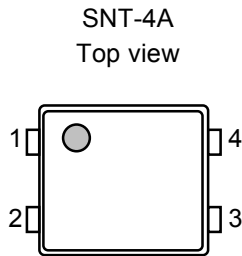
■ Pin Configuration



**Table 2**

Pin No.	Pin Name	Description
1	VDD	Power supply pin
2	VSS	GND pin
3	NC <sup>*1</sup>	No connection
4	VOUT	Output voltage pin

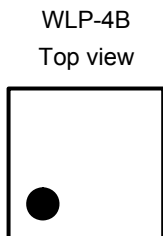
\*1. The NC pin is electrically open.  
The NC pin can be connected to VDD or VSS.



**Table 3**

Pin No.	Pin Name	Description
1	VSS	GND pin
2	VDD	Power supply pin
3	VOUT	Output voltage pin
4	NC <sup>*1</sup>	No connection

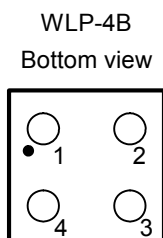
\*1. The NC pin is electrically open.  
The NC pin can be connected to VDD or VSS.



**Table 4**

Pin No.	Pin Name	Description
1	VDD	Power supply pin
2	VSS <sup>*1</sup>	GND pin
3	VSS <sup>*1</sup>	GND pin
4	VOUT	Output voltage pin

\*1. Connect both VSS pins to GND.



■ Absolute Maximum Ratings

Table 5

(Ta = 25°C unless otherwise specified)

Item		Symbol	Absolute Maximum Rating	Unit
Power supply pin voltage		$V_{DD}$	$V_{SS} - 0.3$ to $V_{SS} + 6.5$	V
Output voltage		$V_{OUT}$	$V_{SS} - 0.3$ to $V_{DD} + 0.3$	V
Power dissipation	SC-82AB	$P_D$	350 <sup>*1</sup>	mW
	SNT-4A		300 <sup>*1</sup>	mW
	WLP-4B		290 <sup>*1</sup>	mW
Operating ambient temperature		$T_{opr}$	-55 to +130	°C
Storage temperature		$T_{stg}$	-65 to +150	°C

\*1. When mounted on board

[Mounted board]

(1) Board size: 114.3 mm × 76.2 mm × t1.6 mm

(2) Board name: JEDEC STANDARD51-7

**Caution** The absolute maximum ratings are rated values exceeding which the product could suffer physical damage. These values must therefore not be exceeded under any conditions.

## ■ Electrical Characteristics

Table 6

(Ta = 25°C, V<sub>DD</sub> = 2.7 V, I<sub>OUT</sub> = 0 A unless otherwise specified)

Item	Symbol	Conditions	Min.	Typ.	Max.	Unit	Test Circuit
Range of power supply voltage	V <sub>DD</sub>	-30°C ≤ Ta ≤ +130°C	2.4	—	5.5	V	1
		-55°C ≤ Ta ≤ +130°C	2.7	—	5.5	V	1
Output voltage V <sub>OUT</sub> = (-3.88 × 10 <sup>-6</sup> × T <sup>2</sup> ) + (-1.15 × 10 <sup>-2</sup> × T) + 1.8639 V	V <sub>OUT</sub>	Ta = -30°C	2.177	2.205	2.234	V	1
		Ta = +30°C	1.486	1.515	1.545	V	1
		Ta = +130°C	0.272	0.303	0.335	V	1
Temperature sensitivity	V <sub>SE</sub>	-30°C ≤ Ta ≤ +130°C	-12.20	-11.77	-11.40	mV/°C	—
Nonlinearity	ΔN <sub>L</sub>	-20°C ≤ Ta ≤ +80°C	—	±0.4	—	%	—
Operating temperature range	T <sub>opr</sub>	—	-55	—	130	°C	—
Current consumption	I <sub>DD</sub>	-55°C ≤ Ta ≤ +130°C	—	4.5	6.0	μA	1
Current consumption – Power supply voltage	ΔI <sub>DD1</sub>	V <sub>DD</sub> = 2.4 V to 5.5 V	—	0.1	—	μA	1
Current consumption – Temperature	ΔI <sub>DD2</sub>	—	—	-11	—	nA/°C	1
Line regulation	ΔV <sub>OUT1</sub>	V <sub>DD</sub> = 2.4 V to 5.5 V	—	—	3.3	mV/V	2
Load regulation <sup>*1</sup>	ΔV <sub>OUT2</sub>	I <sub>OUT</sub> = 0 μA to 16 μA	—	—	0.156	mV/μA	2

\*1. Do not flow current into the output voltage pin.

■ Test Circuit

1.

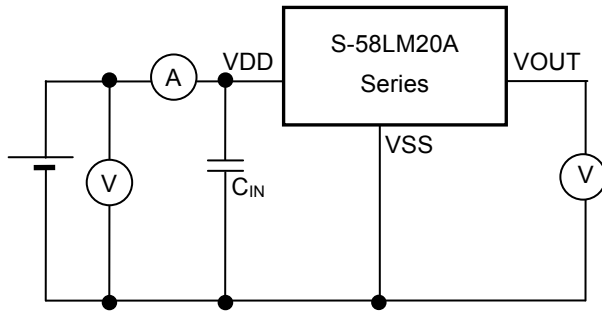


Figure 6

2.

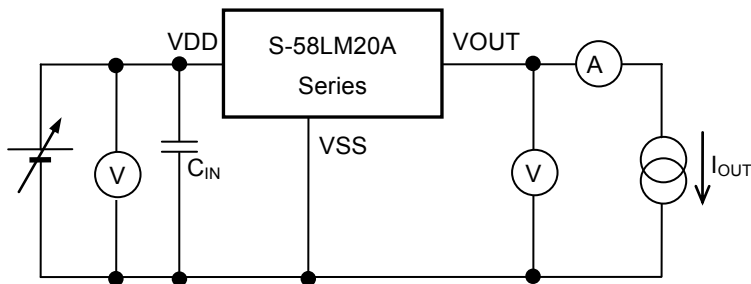


Figure 7



## ■ Explanation of Terms

### 1. Output voltage ( $V_{OUT}$ )

$V_{OUT}$  indicates the output voltage at  $T_a = -30^\circ\text{C}$ ,  $T_a = +30^\circ\text{C}$ , and  $T_a = +130^\circ\text{C}$ .

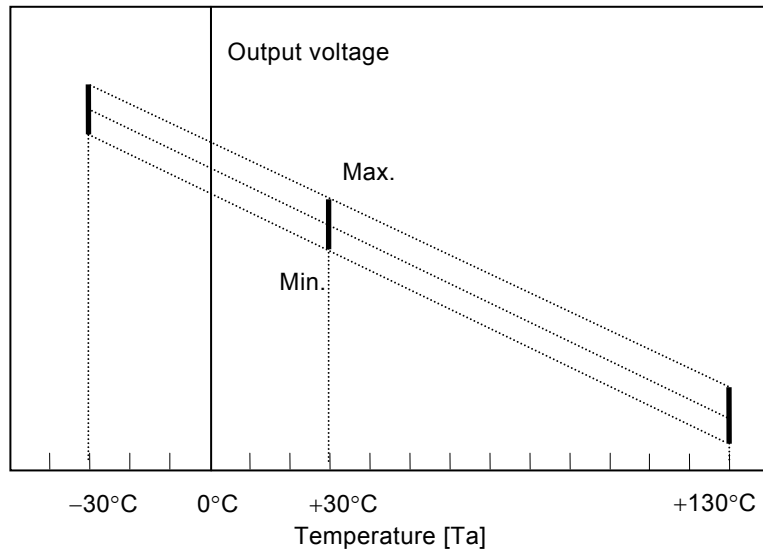


Figure 8

## 2. Temperature Sensitivity ( $V_{SE}$ )

$V_{SE}$  is the temperature coefficient of output voltage which is calculated from an output voltage when  $T_a = -30^\circ\text{C}$  and  $T_a = +130^\circ\text{C}$ .

$V_{SE}$  is calculated from the following formula.

$$V_{SE} = \frac{[V_{OUT}^{*1} - V_{OUT}^{*2}]}{160^{*3}}$$

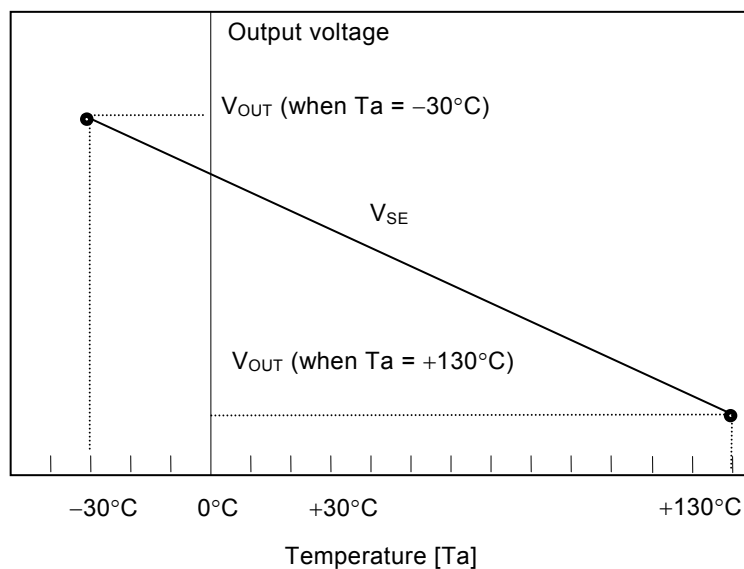


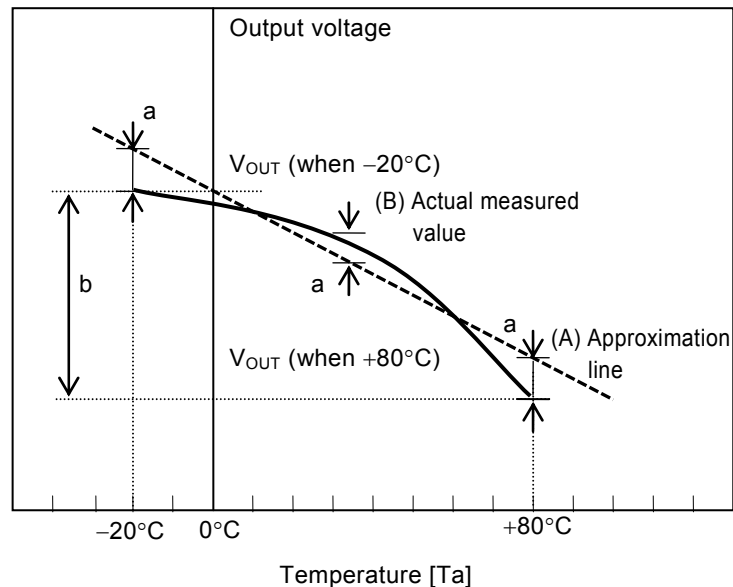
Figure 9

- \*1.  $V_{OUT}$  value at  $T_a = +130^\circ\text{C}$  [V]
- \*2.  $V_{OUT}$  value at  $T_a = -30^\circ\text{C}$  [V]
- \*3. The difference of the temperature between  $T_a = +130^\circ\text{C}$  and  $T_a = -30^\circ\text{C}$  [ $^\circ\text{C}$ ]

### 3. Nonlinearity ( $\Delta N_L$ )

$\Delta N_L$  is the nonlinearity of output voltage. Its deviation with the approximation line is shown below.  $\Delta N_L$  is calculated from the following formula.

$$\Delta N_L = \frac{a^{*1}}{b^{*2}} \times 100$$



- \*1. The maximum deviation of the actual measurement of output voltage (B) and an approximation line (A) in temperature  $-20^{\circ}\text{C}$  to  $+80^{\circ}\text{C}$ . The approximation line is the one to be drawn so that "a" should be the minimum value.
- \*2. The difference of the actual measured value of output voltage when  $-20^{\circ}\text{C}$  and  $+80^{\circ}\text{C}$ .

Figure 10

### 4. Line regulation ( $\Delta V_{OUT1}$ )

$\Delta V_{OUT1}$  indicates the dependency of output voltage against input voltage. This indicates how much the output voltage varies when changing the input voltage after fixing the output current constant.

### 5. Load regulation ( $\Delta V_{OUT2}$ )

$\Delta V_{OUT2}$  indicates the dependency of output voltage against output current. This indicates how much the output voltage varies when changing output current after fixing the input voltage constant.

### 6. Current consumption – Power supply voltage ( $\Delta I_{DD1}$ )

$\Delta I_{DD1}$  indicates the dependency of current consumption against power supply voltage. This indicates how much current consumption varies when changing the temperature after fixing an output current constant.

### 7. Current consumption – Temperature ( $\Delta I_{DD2}$ )

$\Delta I_{DD2}$  indicates the dependency of current consumption against temperature. This indicates how much current consumption varies when changing the temperature after fixing an output current constant.

### ■ Precautions

- Wire each pin of VDD, VSS and VOUT carefully in order to set them in low impedance when wiring an IC on a patterned board.
- In this IC, if load capacitance of the VOUT pin is large, VOUT pin voltage may oscillate. It is recommended not to use an external capacitor between the VOUT and VSS pin. When using an external capacitor, set near the VOUT pin. When connecting an A/D converter etc. to the VOUT pin, the input pin capacitance of the A/D converter and the parasitic capacitance component between wires are included as load capacitance. To prevent oscillation, it is recommended to use the following output load condition.

Load capacitance of VOUT pin ( $C_{L1}$ ) : 300 pF or less

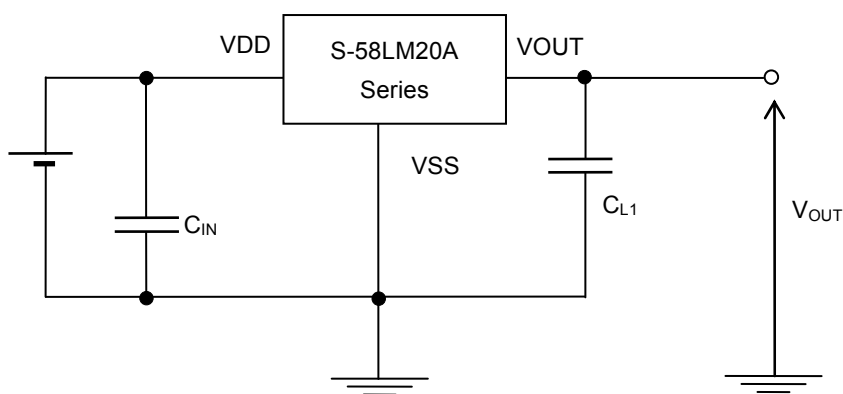


Figure 11

**Caution** The above connection diagram and constant will not guarantee successful operation. Perform through evaluation using the actual application to set the constant.

In this IC, it is necessary to add a capacitor from an output pin to GND with a series resistor in the ambience having excessive noise, as seen in **Figure 12** and **Figure 13**. In the combination shown in **Table 7**, a time constant against heat of this IC is much later than the time constant composed of RC, therefore it does not affect on the response time of this IC.

Table 7

$R_{L2}$ ( $\Omega$ )	$C_{L2}$ ( $\mu\text{F}$ )
200	1
470	0.1
680	0.01
1 k	0.001

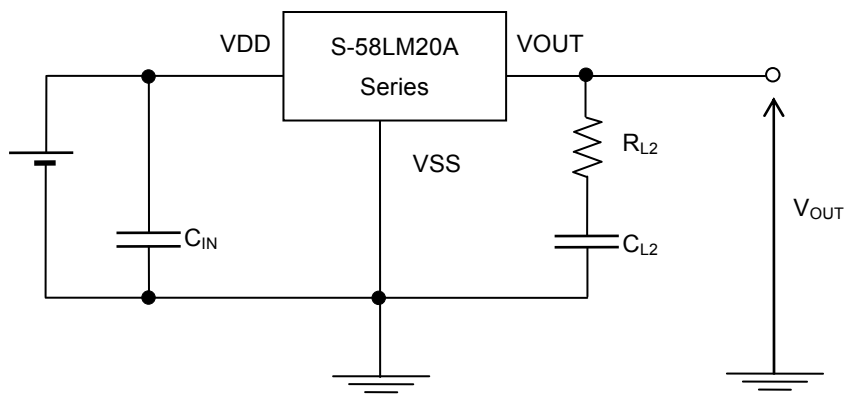


Figure 12

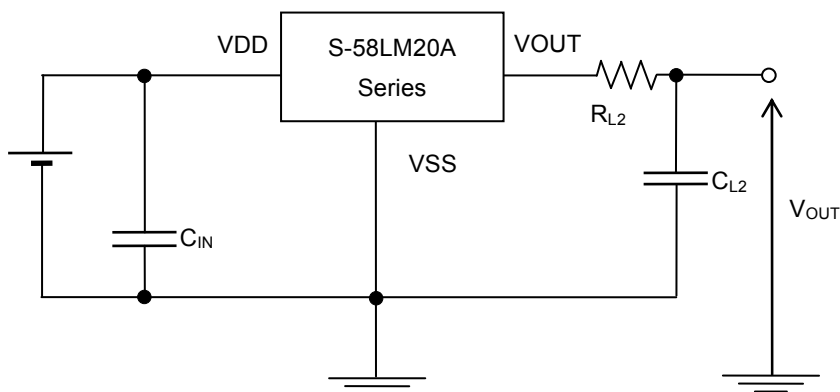


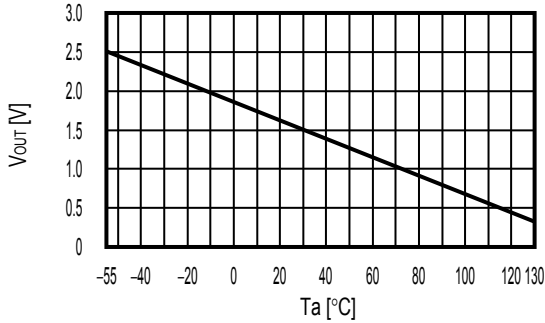
Figure 13

**Caution** The above connection diagram and constant will not guarantee successful operation. Perform thorough evaluation using the actual application to set the constant.

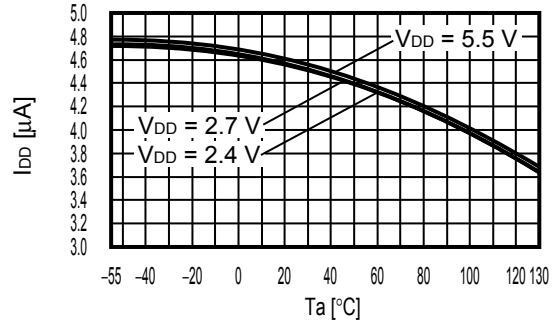
- For stabilization, set a capacitor ( $C_{IN}$ ) of approx. 0.1  $\mu$ F between VDD and VSS pin.
- Do not connect a pull-up resistor to the output pin.
- The application condition for input voltage, output voltage and load voltage must not exceed the package power dissipation.
- Do not apply an electrostatic discharge to this IC that exceeds the performance ratings of the built-in electrostatic protection circuit.
- Regarding the current at the output pin, refer to load regulation and footnote \*1 in **Table 6** “**■ Electrical Characteristics**”.
- ABLIC Inc. claims no responsibility for any disputes arising out of or in connection with any infringement by products including this IC of patents owned by a third party.

■ Characteristics (Typical Data)

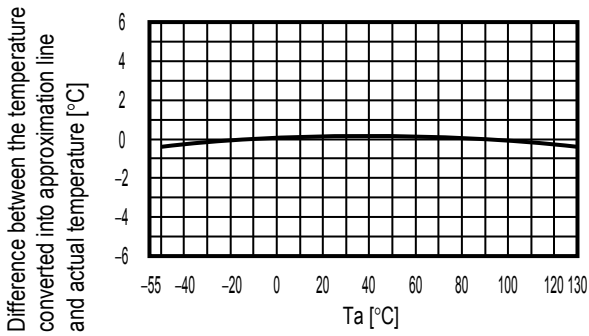
1. Output voltage ( $V_{OUT}$ ) vs. Temperature ( $T_a$ )



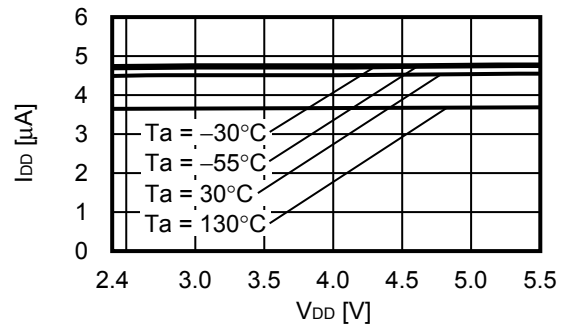
2. Current consumption ( $I_{DD}$ ) vs. Temperature ( $T_a$ )



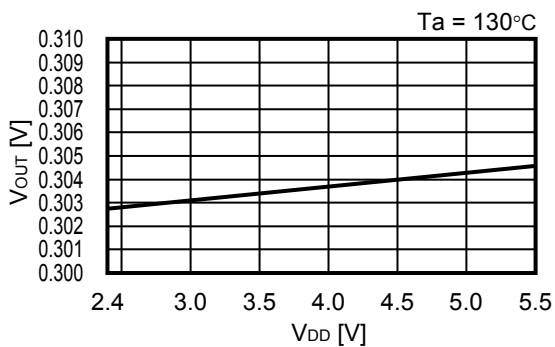
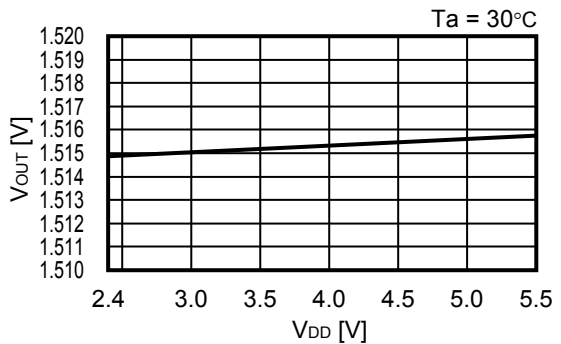
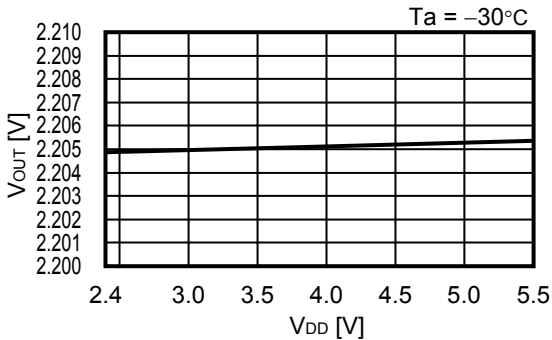
3. Error range of each temperature



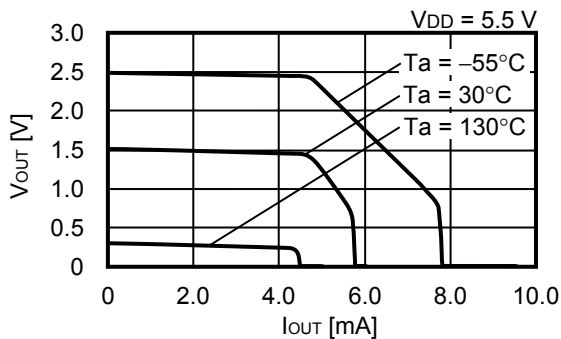
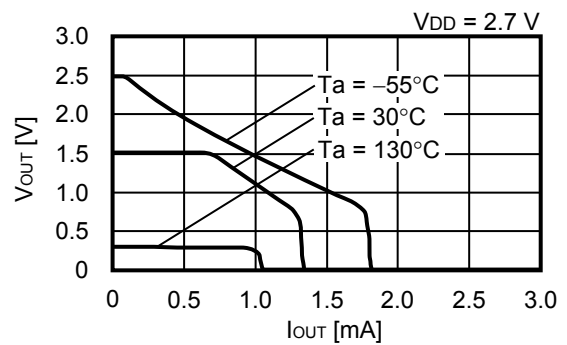
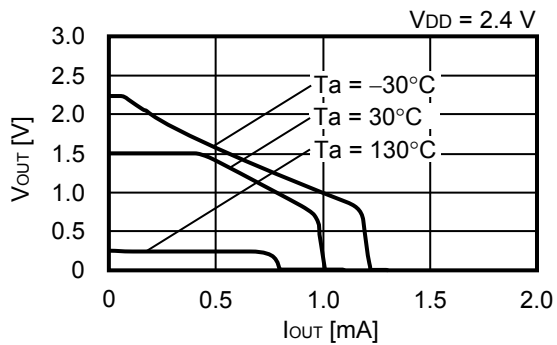
4. Current consumption ( $I_{DD}$ ) vs. Power supply voltage ( $V_{DD}$ )



5. Output voltage ( $V_{OUT}$ ) vs. Power supply voltage ( $V_{DD}$ )

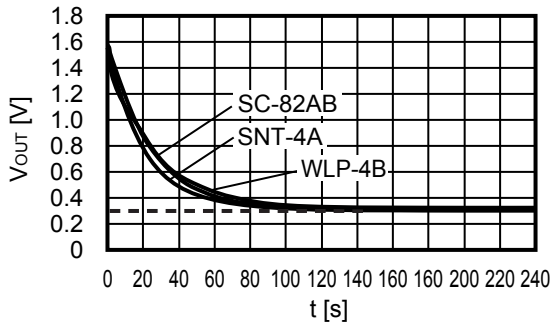


**6. Output voltage ( $V_{OUT}$ ) vs. Load current ( $I_{OUT}$ )**

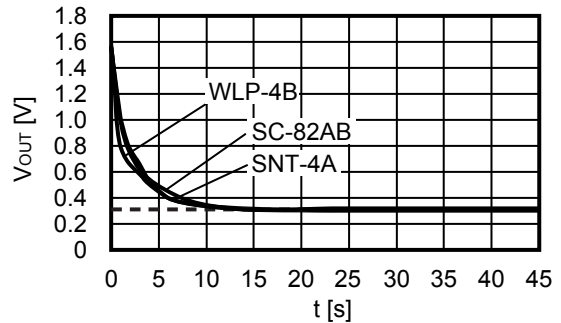


**7. Heat response Output voltage ( $V_{OUT}$ ) vs. Time (t)**

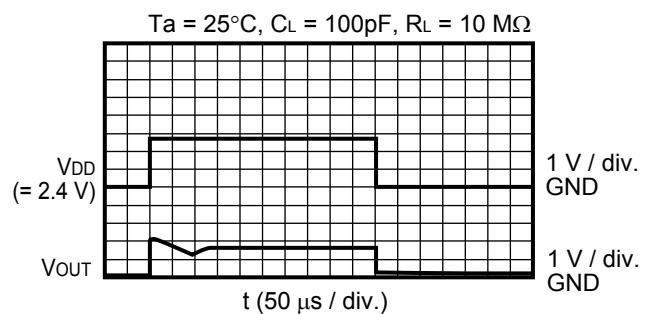
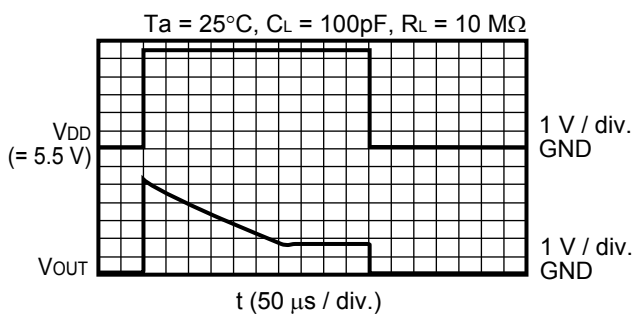
When packages are put into the air of 130°C from the air of 25°C



When packages are put into the liquid of 130°C from the air of 25°C



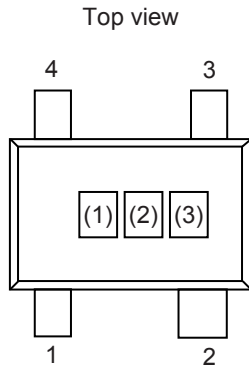
**8. Start up response**





■ **Marking Specifications**

1. **SC-82AB**



(1) to (3) : Product code (refer to **Product name vs. Product code**)

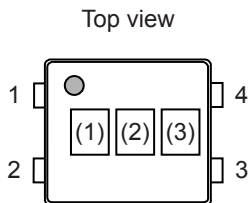
**Product name vs. Product code**

Product name	Product code		
	(1)	(2)	(3)
S-58LM20A-N4T1x	D	R	E

**Remark 1.** x: G or U

2. Please select products of environmental code = U for Sn 100%, halogen-free products.

2. **SNT-4A**

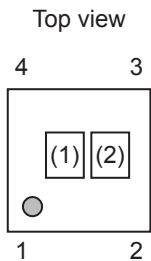


(1) to (3) : Product code (refer to **Product name vs. Product code**)

**Product name vs. Product code**

Product name	Product code		
	(1)	(2)	(3)
S-58LM20A-I4T1U	D	R	E

3. **WLP-4B**



(1) to (2) : Lot number



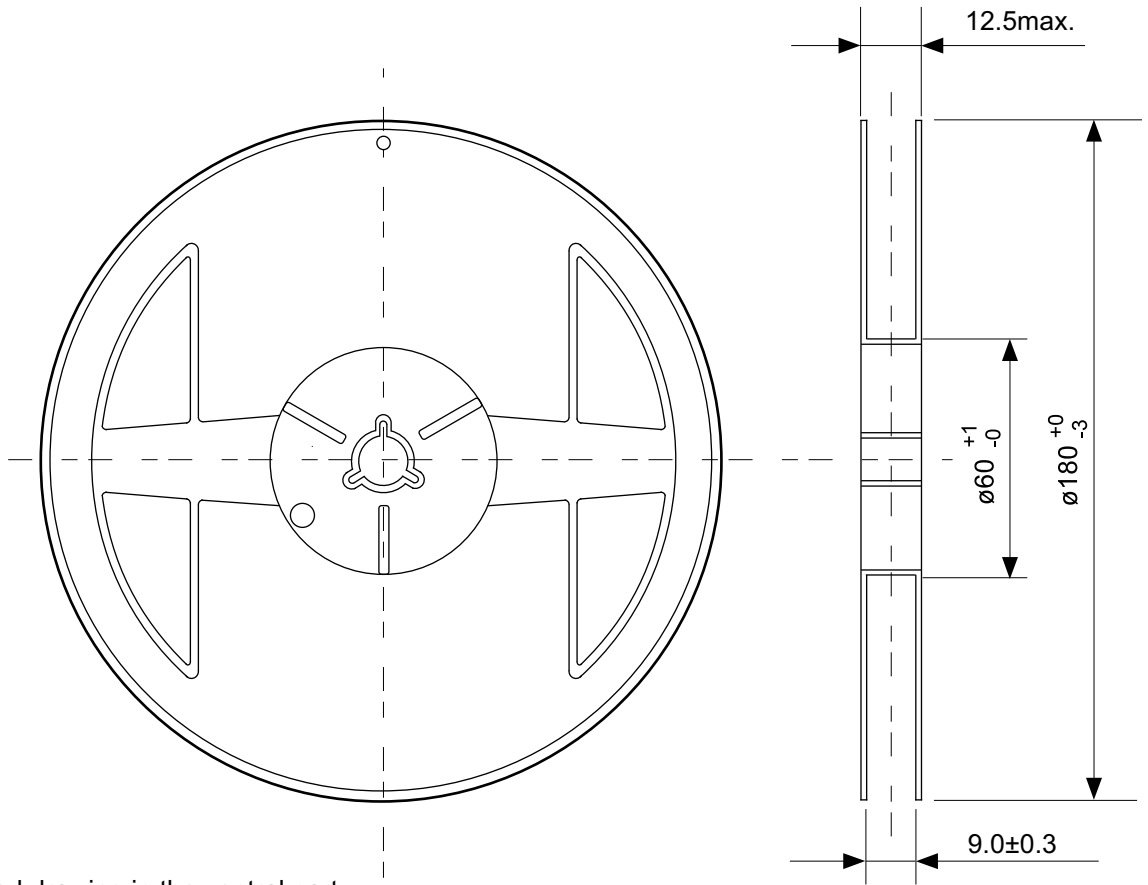
No. NP004-A-P-SD-2.0

TITLE	SC82AB-A-PKG Dimensions
No.	NP004-A-P-SD-2.0
ANGLE	
UNIT	mm
<b>ABLIC Inc.</b>	

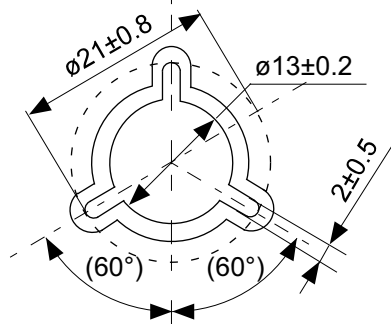


No. NP004-A-C-SD-3.0

TITLE	SC82AB-A-Carrier Tape
No.	NP004-A-C-SD-3.0
ANGLE	
UNIT	mm
<b>ABLIC Inc.</b>	

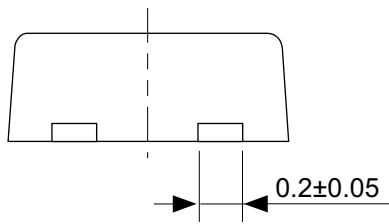
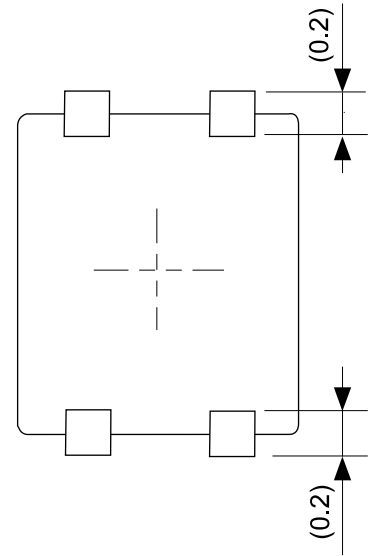
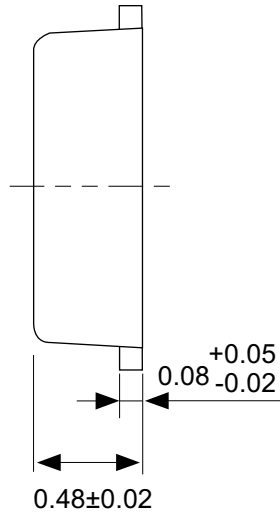
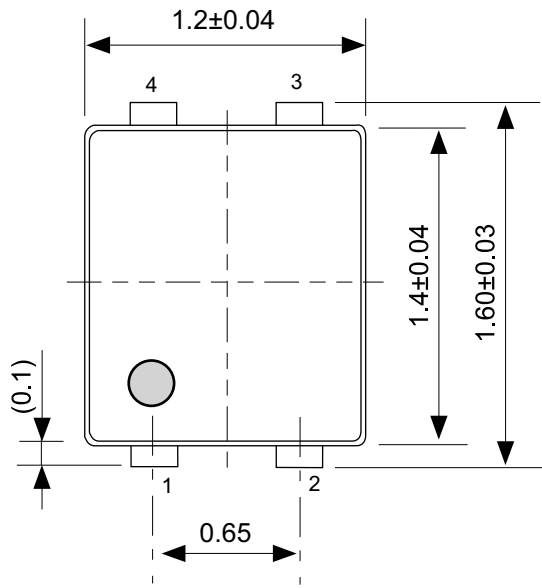


Enlarged drawing in the central part



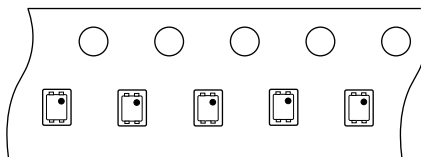
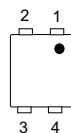
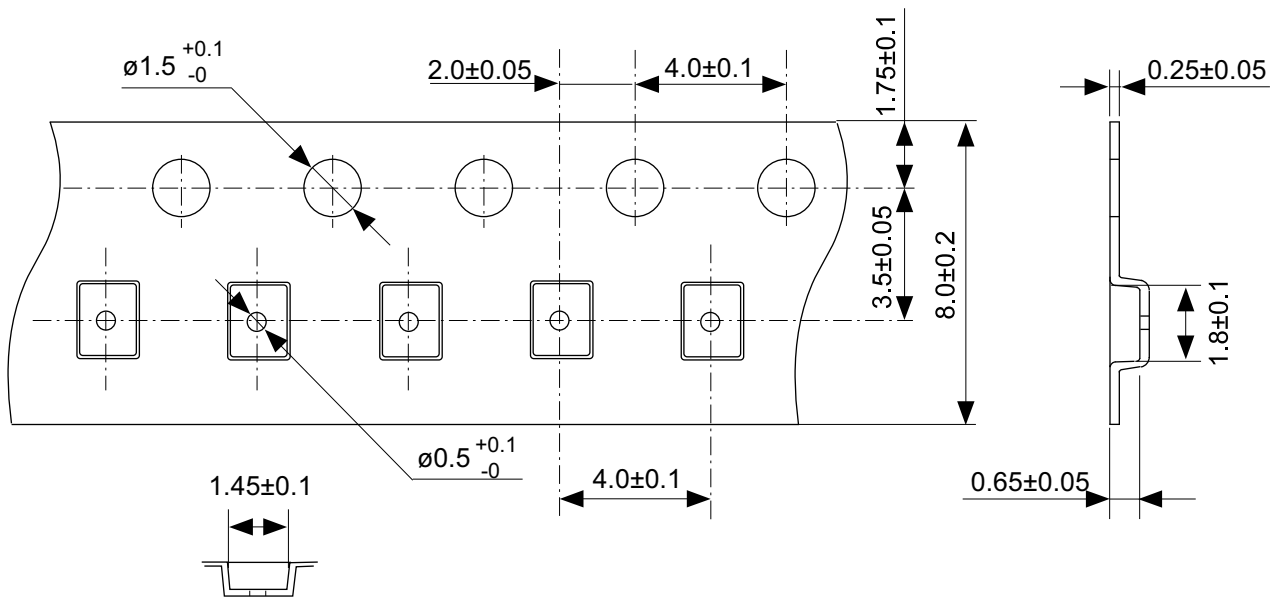
No. NP004-A-R-SD-1.1

TITLE	SC82AB-A-Reel		
No.	NP004-A-R-SD-1.1		
ANGLE		QTY.	3,000
UNIT	mm		
<b>ABLIC Inc.</b>			



No. PF004-A-P-SD-6.0

TITLE	SNT-4A-A-PKG Dimensions
No.	PF004-A-P-SD-6.0
ANGLE	
UNIT	mm
<b>ABLIC Inc.</b>	



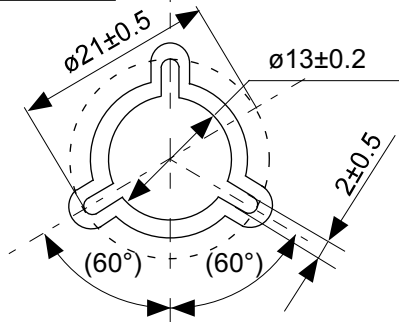
Feed direction →

No. PF004-A-C-SD-2.0

TITLE	SNT-4A-A-Carrier Tape
No.	PF004-A-C-SD-2.0
ANGLE	
UNIT	mm
<b>ABLIC Inc.</b>	

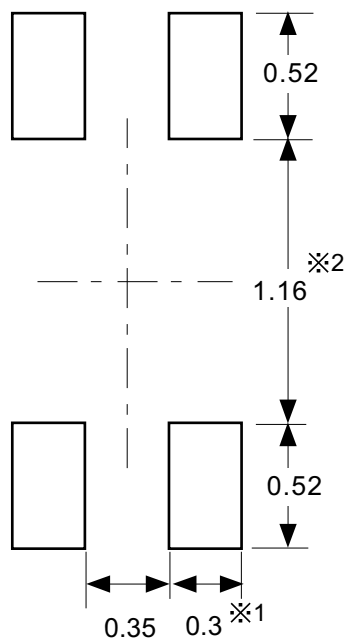


Enlarged drawing in the central part



No. PF004-A-R-SD-1.0

TITLE	SNT-4A-A-Reel		
No.	PF004-A-R-SD-1.0		
ANGLE		QTY.	5,000
UNIT	mm		
<b>ABLIC Inc.</b>			



※1. ランドパターンの幅に注意してください (0.25 mm min. / 0.30 mm typ.).

※2. パッケージ中央にランドパターンを広げないでください (1.10 mm ~ 1.20 mm)。

- 注意
1. パッケージのモールド樹脂下にシルク印刷やハンダ印刷などしないでください。
  2. パッケージ下の配線上のソルダーレジストなどの厚みをランドパターン表面から0.03 mm 以下にしてください。
  3. マスク開口サイズと開口位置はランドパターンと合わせてください。
  4. 詳細は "SNTパッケージ活用の手引き" を参照してください。

※1. Pay attention to the land pattern width (0.25 mm min. / 0.30 mm typ.).

※2. Do not widen the land pattern to the center of the package (1.10 mm to 1.20 mm).

- Caution**
1. Do not do silkscreen printing and solder printing under the mold resin of the package.
  2. The thickness of the solder resist on the wire pattern under the package should be 0.03 mm or less from the land pattern surface.
  3. Match the mask aperture size and aperture position with the land pattern.
  4. Refer to "SNT Package User's Guide" for details.

※1. 请注意焊盘模式的宽度 (0.25 mm min. / 0.30 mm typ.).

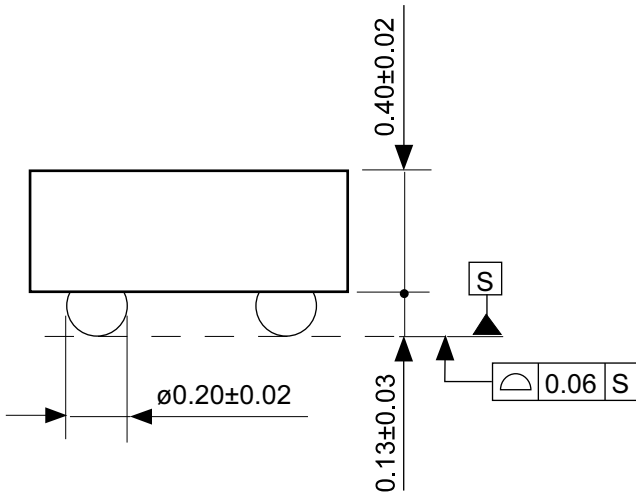
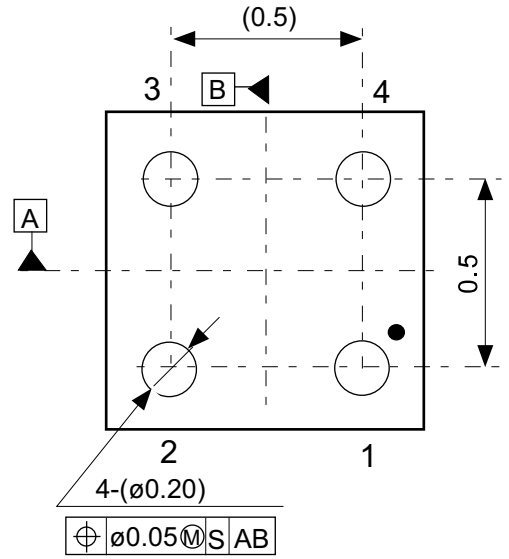
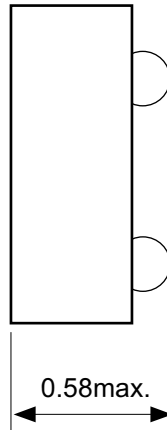
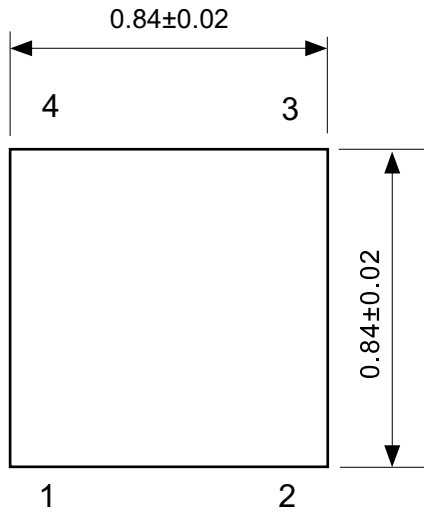
※2. 请勿向封装中间扩展焊盘模式 (1.10 mm ~ 1.20 mm)。

- 注意
1. 请勿在树脂型封装的下面印刷丝网、焊锡。
  2. 在封装下、布线上的阻焊膜厚度 (从焊盘模式表面起) 请控制在 0.03 mm 以下。
  3. 钢网的开口尺寸和开口位置请与焊盘模式对齐。
  4. 详细内容请参阅 "SNT 封装的应用指南"。

No. PF004-A-L-SD-4.1

TITLE	SNT-4A-A -Land Recommendation
No.	PF004-A-L-SD-4.1
ANGLE	
UNIT	mm
<b>ABLIC Inc.</b>	



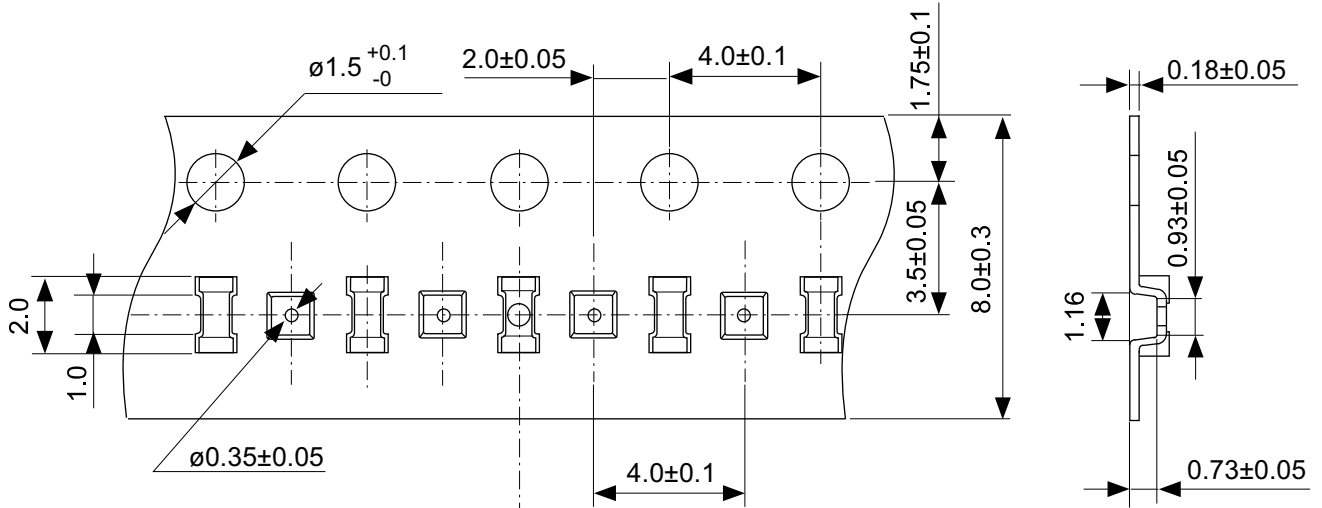


Pin No.	Symbol
1	VDD
2	VSS
3	VSS
4	VOU

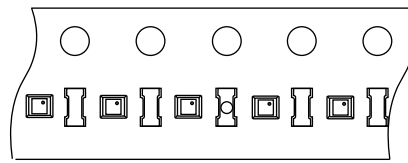
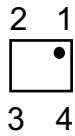
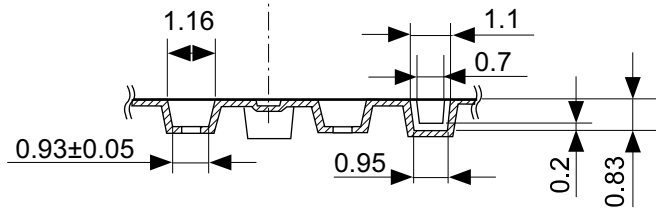
No. HB004-C-P-SD-2.0

TITLE	WLP-4B-C-PKG Dimensions (S-58LM20A)
No.	HB004-C-P-SD-2.0
ANGLE	⊕
UNIT	mm

ABLIC Inc.



Count mark(R0.3,Depth 0.2)  
(Every 10 pockets)

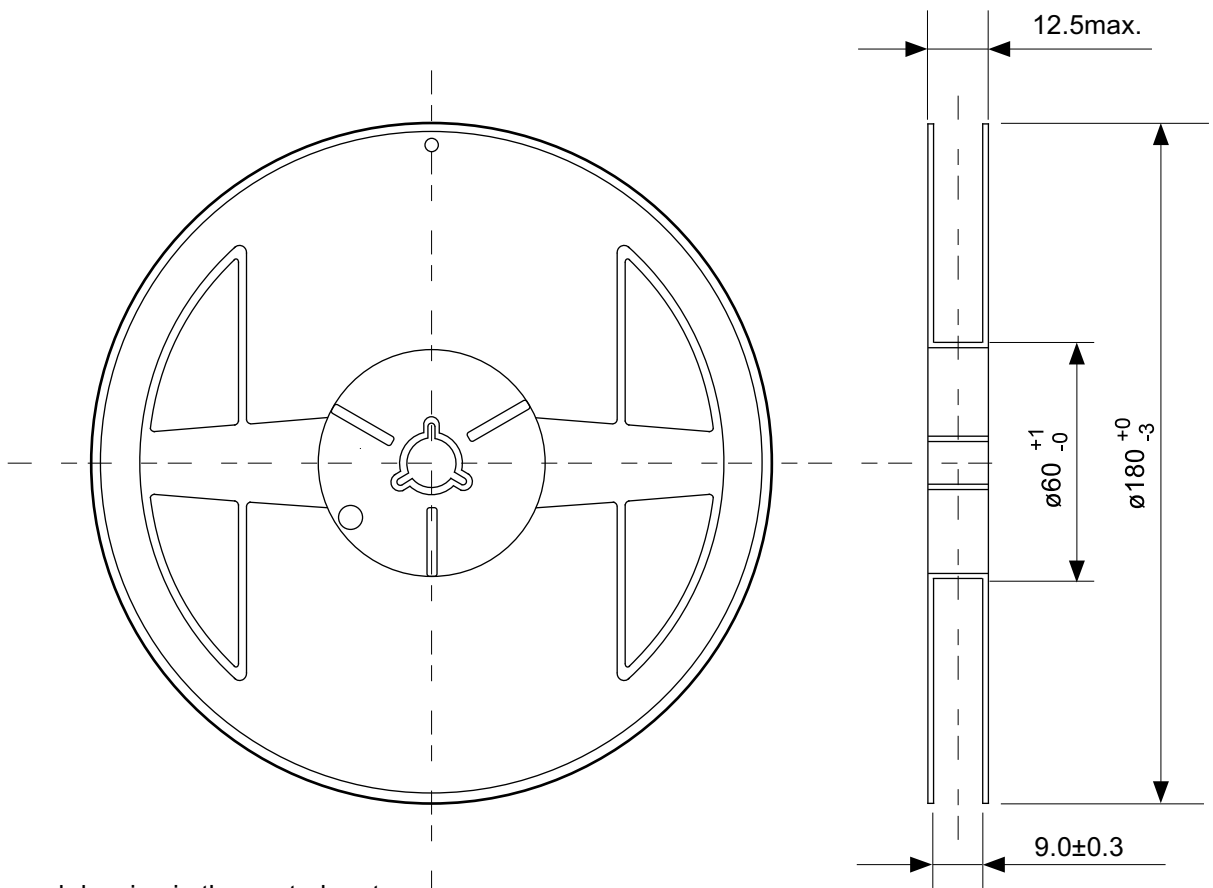


Feed direction

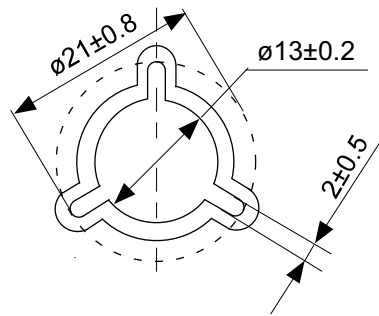
No. HB004-C-C-SD-1.1

TITLE	WLP-4B-C-Carrier Tape (S-58LM20A)
No.	HB004-C-C-SD-1.1
ANGLE	
UNIT	mm

ABLIC Inc.



Enlarged drawing in the central part



No. HB004-C-R-SD-1.0

TITLE	WLP-4B-C-Reel (S-58LM20A)		
No.	HB004-C-R-SD-1.0		
ANGLE		QTY.	3,000
UNIT	mm		
<b>ABLIC Inc.</b>			

## Disclaimers (Handling Precautions)

1. All the information described herein (product data, specifications, figures, tables, programs, algorithms and application circuit examples, etc.) is current as of publishing date of this document and is subject to change without notice.
2. The circuit examples and the usages described herein are for reference only, and do not guarantee the success of any specific mass-production design.  
ABLIC Inc. is not liable for any losses, damages, claims or demands caused by the reasons other than the products described herein (hereinafter "the products") or infringement of third-party intellectual property right and any other right due to the use of the information described herein.
3. ABLIC Inc. is not liable for any losses, damages, claims or demands caused by the incorrect information described herein.
4. Be careful to use the products within their ranges described herein. Pay special attention for use to the absolute maximum ratings, operation voltage range and electrical characteristics, etc.  
ABLIC Inc. is not liable for any losses, damages, claims or demands caused by failures and / or accidents, etc. due to the use of the products outside their specified ranges.
5. Before using the products, confirm their applications, and the laws and regulations of the region or country where they are used and verify suitability, safety and other factors for the intended use.
6. When exporting the products, comply with the Foreign Exchange and Foreign Trade Act and all other export-related laws, and follow the required procedures.
7. The products are strictly prohibited from using, providing or exporting for the purposes of the development of weapons of mass destruction or military use. ABLIC Inc. is not liable for any losses, damages, claims or demands caused by any provision or export to the person or entity who intends to develop, manufacture, use or store nuclear, biological or chemical weapons or missiles, or use any other military purposes.
8. The products are not designed to be used as part of any device or equipment that may affect the human body, human life, or assets (such as medical equipment, disaster prevention systems, security systems, combustion control systems, infrastructure control systems, vehicle equipment, traffic systems, in-vehicle equipment, aviation equipment, aerospace equipment, and nuclear-related equipment), excluding when specified for in-vehicle use or other uses by ABLIC, Inc. Do not apply the products to the above listed devices and equipments.  
ABLIC Inc. is not liable for any losses, damages, claims or demands caused by unauthorized or unspecified use of the products.
9. In general, semiconductor products may fail or malfunction with some probability. The user of the products should therefore take responsibility to give thorough consideration to safety design including redundancy, fire spread prevention measures, and malfunction prevention to prevent accidents causing injury or death, fires and social damage, etc. that may ensue from the products' failure or malfunction.  
The entire system in which the products are used must be sufficiently evaluated and judged whether the products are allowed to apply for the system on customer's own responsibility.
10. The products are not designed to be radiation-proof. The necessary radiation measures should be taken in the product design by the customer depending on the intended use.
11. The products do not affect human health under normal use. However, they contain chemical substances and heavy metals and should therefore not be put in the mouth. The fracture surfaces of wafers and chips may be sharp. Be careful when handling these with the bare hands to prevent injuries, etc.
12. When disposing of the products, comply with the laws and ordinances of the country or region where they are used.
13. The information described herein contains copyright information and know-how of ABLIC Inc. The information described herein does not convey any license under any intellectual property rights or any other rights belonging to ABLIC Inc. or a third party. Reproduction or copying of the information from this document or any part of this document described herein for the purpose of disclosing it to a third-party is strictly prohibited without the express permission of ABLIC Inc.
14. For more details on the information described herein or any other questions, please contact ABLIC Inc.'s sales representative.
15. This Disclaimers have been delivered in a text using the Japanese language, which text, despite any translations into the English language and the Chinese language, shall be controlling.

2.4-2019.07

# Mouser Electronics

Authorized Distributor

Click to View Pricing, Inventory, Delivery & Lifecycle Information:

[ABLIC:](#)

[S-58LM20A-H4T1G](#) [S-58LM20A-N4T1G](#) [S-58LM20A-I4T1U](#)