

COMMERCIAL MICRO-D CONNECTOR SYSTEM

1.0 SCOPE

This Product Specification covers the 1.27 mm (.050 inch) centerline Commercial Micro-D connector series, including both printed circuit board header connector styles and cable connector series, terminable to 26 or 28 AWG shielded cable

2.0 PRODUCT DESCRIPTION

**2.1 DIMENSIONS, MATERIALS, PLATINGS AND MARKINGS
PRODUCT NAME AND PART NUMBERS**

The following product names and series numbers are covered by this specification:

Headers w/wo jackposts, Size 9	Series 83611
Headers w/wo jackposts, Size 15	Series 83612
Headers w/wo jackposts, Size 25	Series 83614
Dual Stack Headers w/wo jackposts	Series 83619
Shielded Cable Connector, Size 9	Series 83421
Shielded Cable Connector, Size 15	Series 83422
Shielded Cable Connector, Size 25	Series 83424

2.2

Refer to the associated Sales Drawings for additional information on configurations, dimensions, materials, platings and markings.

CONNECTOR CONFIGURATIONS

Connectors and headers are available in a variety of configurations, stamped one-piece pin contacts, and jackpost configurations, which will accept 2-56 or 4-40 threaded jackscrews.

THIS DOCUMENT CONTAINS INFORMATION THAT IS PROPRIETARY TO MOLEX ELECTRONIC TECHNOLOGIES, LLC AND SHOULD NOT BE USED WITHOUT WRITTEN PERMISSION

REVISION DESCRIPTION		UL NUMBER UPDATED FROM E34763 TO E152602		PRODUCT SPECIFICATION FOR COMMERCIAL MICRO-D CONNECTOR SYSTEM			
CHANGE NO.		662481					
REVISED BY	PKH	DATE	2021/04/22	DOC TYPE	DOC TYPE DESCRIPTION	DOC PART	SERIES
REV APPR BY	JMACNEIL	DATE	2021/04/30	PS	ENGINEERING SPECIFICATION WORD	001	83421
INITIAL RELEASE				CUSTOMER		DOCUMENT NUMBER	
INITIAL DRWN	CLYORK	DATE	2007/10/15	GENERAL MARKET		PS-83421-001	R1
INITIAL APPR	JMACNEIL	DATE	2007/11/05				

2.3 DESIGN FEATURES

MATERIALS AND PLATINGS

Pin Contacts	15µin min gold over 30µin min nickel in mating area and 20µin min matte tin over 50µin min nickel on the solder tail. Base material is a copper alloy.
Socket Contacts	15 or 30 µin min gold over 50µin min nickel. Base material is a copper alloy.
Insulators	Injection molded LCP, UL 94V-0
Shells	150µin nickel over alloy steel.
Backshells	100µin nickel over alloy steel with PVC overmold or Optional rubber boot. Color black

CABLE

Configuration	Max 25 conductors with braided copper shield and with overall jacket.
Outer diameter	0.225-inch nominal for Size 9 0.264-inch nominal for Size 15 0.311-inch nominal for Size 25
Overall jacket	Material optional
Conductors	28 AWG (7 strands of 36 AWG) 26 AWG (7 strands of 34 AWG)

2.4 SAFETY AGENCY APPROVAL

The following approvals are applicable to the connectors and cable assemblies covered by this specification:

UL Recognition	UL File Number	E152602
----------------	----------------	---------

THIS DOCUMENT CONTAINS INFORMATION THAT IS PROPRIETARY TO MOLEX ELECTRONIC TECHNOLOGIES, LLC AND SHOULD NOT BE USED WITHOUT WRITTEN PERMISSION

REVISION DESCRIPTION				UL NUMBER UPDATED FROM E34763 TO E152602				PRODUCT SPECIFICATION FOR COMMERCIAL MICRO-D CONNECTOR SYSTEM			
CHANGE NO.				662481							
REVISED BY	PKH	DATE	2021/04/22	DOC TYPE	DOC TYPE DESCRIPTION			DOC PART	SERIES		
REV APPR BY	JMACNEIL	DATE	2021/04/30	PS	ENGINEERING SPECIFICATION WORD			001	83421		
INITIAL RELEASE				CUSTOMER		DOCUMENT NUMBER		REVISION	SHEET		
INITIAL DRWN	CLYORK	DATE	2007/10/15	GENERAL MARKET		PS-83421-001		R1	2 OF 16		
INITIAL APPR	JMACNEIL	DATE	2007/11/05								

3.0 APPLICABLE DOCUMENTS AND SPECIFICATIONS

3.1 The connectors and cable assemblies covered by this specification are commercial versions, designed and tested to meet MIL-specification and performance standards and comply with the requirements of the following standards

3.2 MIL-DTL-83513	DETAIL SPECIFICATION—MICRO MINIATURE, RECTANGLAR CONNECTORS
MIL-STD-1344	TEST METHODS FOR ELECTRICAL CONNECTORS
UL 1977	STANDARD FOR SAFETY—COMPONENT CONNECTORS
APPLICATIONS	Used in Data, Signal, Control and Power

4.0 RATINGS

4.1 ELECTRICAL

DIELECTRIC WITHSTANDING VOLTAGE (DWV) (Sea Level)	600 V _{AC} Reference: MIL-DTL-83513 Rev. G Section 3.5.4
OPERATING VOLTAGE:	30 V _{RMS} (42 P _{peak}) Reference: UL 1977 Section 1.2
CURRENT RATING	1A at 25 C 77 F, 0.7A at 70 C, 158 F

4.2 ENVIRONMENTAL

Shock	half sine, 50g, 11ms duration
Vibration resistance	10-500Hz @ 5g accel
Thermal Cycling	-55°C to +125°C
Contact durability	500 cycles minimum
Contact Engagement Force	0.15N to 2.4N (0.5 oz Min to 8.6 oz Max) per contact.
Contact retention	5.0 lb min per Method 2007 of MIL-STD-1344
HUMIDITY @ 95%	21 DAYS PER METHOD 1002 OF MIL-STD-1344

4.3 TEMPERATURE

Operating:	-40°C to + 125°C (PCB Mount Headers)
Operating:	-40°C to + 80°C (Cable Assemblies)

THIS DOCUMENT CONTAINS INFORMATION THAT IS PROPRIETARY TO MOLEX ELECTRONIC TECHNOLOGIES, LLC AND SHOULD NOT BE USED WITHOUT WRITTEN PERMISSION

REVISION DESCRIPTION				UL NUMBER UPDATED FROM E34763 TO E152602				PRODUCT SPECIFICATION FOR COMMERCIAL MICRO-D CONNECTOR SYSTEM			
CHANGE NO.				662481							
REVISED BY	PKH	DATE	2021/04/22	DOC TYPE	DOC TYPE DESCRIPTION			DOC PART	SERIES		
REV APPR BY	JMACNEIL	DATE	2021/04/30	PS	ENGINEERING SPECIFICATION WORD			001	83421		
INITIAL RELEASE				CUSTOMER		DOCUMENT NUMBER		REVISION	SHEET		
INITIAL DRWN	CLYORK	DATE	2007/10/15	GENERAL MARKET		PS-83421-001		R1	3 OF 16		
INITIAL APPR	JMACNEIL	DATE	2007/11/05								

5.0 PERFORMANCE

This paragraph defines the tests to be performed, and the sequence in which they are to be performed. Unless otherwise specified, all tests shall be carried out under standard atmospheric conditions for testing. Unless otherwise defined, mated sets of connector parts shall be tested. Care shall be taken to keep a particular combination of connector pairs together during the complete sequence

Before commencing any testing, all specimens shall be stored for at least 24 hours in the non-inserted state (unmated) under normal atmospheric conditions. The following tests, a mated connector pair is called a specimen. When the Initial Tests have been completed, all specimens shall be divided up according to the test groups noted, in the quantities noted.

5.1

NUMBER OF TEST SPECIMENS

TEST GROUP	TABLE NO.	NO. OF SPECIMEN
INITIAL	I	13
SHOCK & VIB	A	4
MECHANICAL	B	4
HUMIDITY	C	4

TABLE I: TEST GROUP – INITIAL ** This test must be performed before crimping of backshell

PHASE	TEST	TEST CONDITION	MEASUREMENT	REQMT SPEC.	REQUIREMENT
1	Initial Measurement	Unmated Connectors	Visual		No defects that impair normal operation
1a		Unmated Connectors	Dimensional	Product Drawing	No deviations from dimensional tolerances
2		Unmated Connectors	Polarization	Product Drawing	Connectors shall mate in the correct manner
3	**	Unmated Connectors See Fig. 1	Contact Resistance. MIL-STD-1344 METHOD 3002	20mV max @ 100mA (Kelvin 4-wire test)	C.R.=8mΩ max thru p/s interface & socket crimp
4		Unmated Connectors	Insulation Resistance MIL-STD-1344 METHOD 3002	500 ± 15VDC,	I.R. to be >5 x 10 ⁹ Ω
5		Unmated Connectors	Voltage proof (DWV) MIL-STD-1344 METHOD 3001, TEST COND I	630 Vac min	No breakdown, flashover, or leakage >1mohm

THIS DOCUMENT CONTAINS INFORMATION THAT IS PROPRIETARY TO MOLEX ELECTRONIC TECHNOLOGIES, LLC AND SHOULD NOT BE USED WITHOUT WRITTEN PERMISSION

REVISION DESCRIPTION		UL NUMBER UPDATED FROM E34763 TO E152602		PRODUCT SPECIFICATION FOR COMMERCIAL MICRO-D CONNECTOR SYSTEM			
CHANGE NO.		662481					
REVISED BY	PKH	DATE	2021/04/22	DOC TYPE	DOC TYPE DESCRIPTION	DOC PART	SERIES
REV APPR BY	JMACNEIL	DATE	2021/04/30	PS	ENGINEERING SPECIFICATION WORD	001	83421
INITIAL RELEASE				CUSTOMER		DOCUMENT NUMBER	
INITIAL DRWN	CLYORK	DATE	2007/10/15	GENERAL MARKET		PS-83421-001	
INITIAL APPR	JMACNEIL	DATE	2007/11/05				
						R1	4 OF 16

5.2 TABLE A: TEST GROUP - SHOCK AND VIBRATION

PHASE	TEST	TEST CONDITION	MEASURE- MENT	REQMT SPEC.	REQUIREMENT
1		Unmated Connectors See Fig. 2	Gage retention force	4 contacts/ conn.	0.5oz min withdrawal /contact
2		Mated Connectors See Fig. 5	Connector mate/unmate force	10mm/sac, Measured in oz.	POSITION 9 15 25 Max Mating 165 178 238 MinUnmating 21 24 29
3	Vibration** MIL-STD- 1344 METHOD 2005, COND II	Freq = 10-500 Hz 5g acceleration Duration = 2hrs/axis Conn. mounting per Fig3	Contact resistance, Contact intermittence	20 mA, 20 mV	Max 15 mOhms change from initial C.R. meas. in Table I. Contact intermittence to be <1 microsec.
4	Mechanical Shock** MIL- STD-1344 METHOD 2004	Acceleration = 50 g duration = 11 ms, 10 shocks, 5 in each axis, half sine. Connector mounting per Fig. 3.	Contact resistance Contact intermittence	100mA, 20mV	Max 15 mOhms chg from init. C.R. meas. in Table I. intermittence <1 microsec. Intermit= C.R. >500 ohms
5	Thermal Shock** MIL-STD-1344 METHOD 1003 COND A	Mated connectors. 5 cycles. Temp°C/Dur.min - 55+/-3/30;+25 +/-10 /5; +125+/-3/30; +25+/-10 /5			
6		Unmated connectors	Insulation resistance	Test voltage 500 +/-15V.	I.R. to be >5 x10 ⁹ Ω
7		Unmated connectors	Withstanding voltage (DWV)	Apply 630 V min	No breakdown, flashover, or leakage >1mohm .
8		Unmated connectors See Fig. 1**	Contact resistance	20mV max @ 100mA (Kelvin 4-wire test)	C.R.=8mΩ max change from initial
9		Unmated connectors	Visual exam		No evidence of damage that will affect performance

** For this test the contact resistance may be measured through the cable, if the bulk resistance of the cable has been accounted for.

THIS DOCUMENT CONTAINS INFORMATION THAT IS PROPRIETARY TO MOLEX ELECTRONIC TECHNOLOGIES, LLC AND SHOULD NOT BE USED WITHOUT WRITTEN PERMISSION

REVISION DESCRIPTION	UL NUMBER UPDATED FROM E34763 TO E152602			PRODUCT SPECIFICATION FOR COMMERCIAL MICRO-D CONNECTOR SYSTEM			
CHANGE NO.	662481						
REVISED BY	PKH	DATE	2021/04/22	DOC TYPE	DOC TYPE DESCRIPTION	DOC PART	SERIES
REV APPR BY	JMACNEIL	DATE	2021/04/30	PS	ENGINEERING SPECIFICATION WORD	001	83421
INITIAL RELEASE				CUSTOMER		DOCUMENT NUMBER	
INITIAL DRWN	CLYORK	DATE	2007/10/15	GENERAL MARKET		PS-83421-001	R1
INITIAL APPR	JMACNEIL	DATE	2007/11/05				

5.3 TABLE B; TEST GROUP - MECHANICAL CYCLING AND HUMIDITY

PHASE	TEST CONDITION	TEST CONDITION	MEASURE- MENT	REQMT SPEC	REQUIREMENT
1	Durability	Speed 10mm/sec 500 cycles, 30 seconds rest in unmated condition		0.05 min electrical engagement/ cycle	
2		Unmated Connectors	Insulation resistance	Test voltage 500 +/- 15V.	I.R. to be >5 x10 ⁹ Ω
3		Unmated Connectors	Withstanding voltage (DWV)	630 V min	No breakdown, flashover, or leakage >1mohm .
4		Unmated Connectors See Fig. 1**	Contact resistance	20mV max @100mA (Kelvin 4- wire test)	C.R.=35mΩ max change from initial
5		Unmated Connectors See Fig. 2	Gage retention force	4 contacts/ conn. See Fig 2	0.5oz min withdrawal /contact
6		Unmated Connectors	Visual exam		No evidence of damage that will affect performance
7	Static Load, axial	Mated Connectors See Fig. 4	Connector pulloff	2 conn/lot. Application rate 2.25lb/sec. Total force 25 lb min	No evidence of damage that will affect performance
8	Cable Retention Cable assy only	Fig. 4 except no jackscrews and anchor clamp to front shell flange	Cable pullout	2 conn/lot. Application rate 2.25lb/ sec. Total force 25 lb min	No evidence of damage that will affect performance
9		Unmated Connectors	Withstanding voltage (DWV)	630 v min	No breakdown, flashover, or leakage >1mohm .

NOTE: ** For this test the contact resistance may be measured through the cable, if the bulk resistance of the cable has been accounted for

THIS DOCUMENT CONTAINS INFORMATION THAT IS PROPRIETARY TO MOLEX ELECTRONIC TECHNOLOGIES, LLC AND SHOULD NOT BE USED WITHOUT WRITTEN PERMISSION

REVISION DESCRIPTION	UL NUMBER UPDATED FROM E34763 TO E152602			PRODUCT SPECIFICATION FOR COMMERCIAL MICRO-D CONNECTOR SYSTEM			
CHANGE NO.	662481						
REVISED BY	PKH	DATE	2021/04/22	DOC TYPE	DOC TYPE DESCRIPTION	DOC PART	SERIES
REV APPR BY	JMACNEIL	DATE	2021/04/30	PS	ENGINEERING SPECIFICATION WORD	001	83421
INITIAL RELEASE				CUSTOMER		DOCUMENT NUMBER	
INITIAL DRWN	CLYORK	DATE	2007/10/15	GENERAL MARKET		PS-83421-001	R1
INITIAL APPR	JMACNEIL	DATE	2007/11/05				
REVISION SHEET							

5.4 TABLE C: GROUP - CONTACT RESISTANCE AND HUMIDITY

PHASE	TEST CONDITION	TEST CONDITION	MEASURE- MENT	REQMT SPEC.	REQUIREMENT
1	Humidity	Mated Connectors MIL-STD-1344 METHOD 1002, TYPE I COND C		2hr drying time.	
2		Unmated Connectors	Insulation resistance	500 +/-15Vdc	I.R. to be >5 x10 ⁹ Ω
3		Unmated Connectors	Withstanding voltage (DWV)	630 v min	No breakdown, flashover, or leakage >1mohm .
4		Unmated Connectors See Fig. 1**	Contact resistance	20mV max @ 100mA (Kelvin 4-wire test)	C.R.=8mΩ max change from initial
5		Unmated Connectors See Fig. 2	Gage retention force	4 contacts/ conn. See Fig 2	0.5oz min withdrawal /contact
6		Unmated Connectors	Visual exam		No evidence of damage that will affect performance

NOTE: ** For this test the contact resistance may be measured through the cable, if the bulk resistance of the cable has been accounted for

THIS DOCUMENT CONTAINS INFORMATION THAT IS PROPRIETARY TO MOLEX ELECTRONIC TECHNOLOGIES, LLC AND SHOULD NOT BE USED WITHOUT WRITTEN PERMISSION

REVISION DESCRIPTION	UL NUMBER UPDATED FROM E34763 TO E152602			PRODUCT SPECIFICATION FOR COMMERCIAL MICRO-D CONNECTOR SYSTEM			
CHANGE NO.	662481						
REVISED BY	PKH	DATE	2021/04/22	DOC TYPE	DOC TYPE DESCRIPTION	DOC PART	SERIES
REV APPR BY	JMACNEIL	DATE	2021/04/30	PS	ENGINEERING SPECIFICATION WORD	001	83421
INITIAL RELEASE				CUSTOMER	DOCUMENT NUMBER	REVISION	SHEET
INITIAL DRWN	CLYORK	DATE	2007/10/15	GENERAL MARKET	PS-83421-001	R1	7 OF 16
INITIAL APPR	JMACNEIL	DATE	2007/11/05				

6.0 PACKAGING

Each connector or header shall be packaged to protect against damage during handling, transit and storage.

7.0 GAGES AND FIXTURES

7.1 CONTACT RESISTANCE MEASUREMENT

Contact resistance measurements shall be made using the test setup shown in Figure 1, and shall meet the performance requirements noted in Para 5.

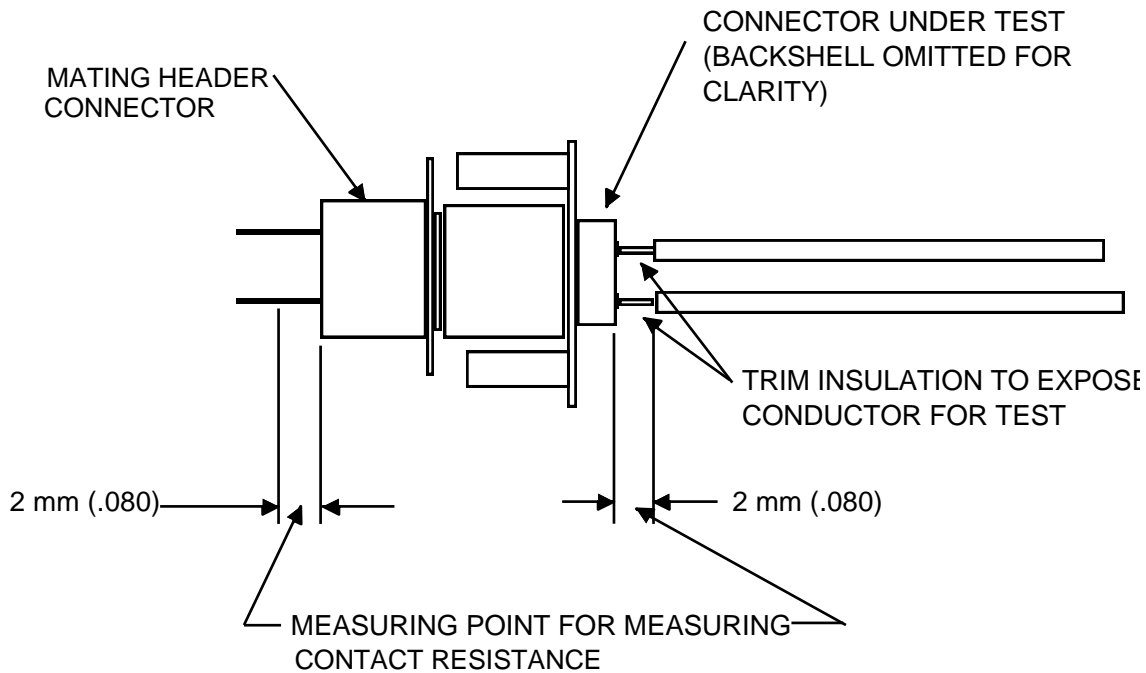


FIGURE 1
CONTACT RESISTANCE MEASUREMENT

NOTE: For this test the contact resistance may be measured through the cable, if the bulk resistance of the cable has been accounted for

THIS DOCUMENT CONTAINS INFORMATION THAT IS PROPRIETARY TO MOLEX ELECTRONIC TECHNOLOGIES, LLC AND SHOULD NOT BE USED WITHOUT WRITTEN PERMISSION

REVISION DESCRIPTION				UL NUMBER UPDATED FROM E34763 TO E152602				PRODUCT SPECIFICATION FOR COMMERCIAL MICRO-D CONNECTOR SYSTEM			
CHANGE NO.				662481							
REVISED BY	PKH	DATE	2021/04/22	DOC TYPE	DOC TYPE DESCRIPTION			DOC PART	SERIES		
REV APPR BY	JMACNEIL	DATE	2021/04/30	PS	ENGINEERING SPECIFICATION WORD			001	83421		
INITIAL RELEASE				CUSTOMER		DOCUMENT NUMBER			REVISION	SHEET	
INITIAL DRWN	CLYORK	DATE	2007/10/15	GENERAL MARKET		PS-83421-001			R1	8 OF 16	
INITIAL APPR	JMACNEIL	DATE	2007/11/05								

7.2 CONTACT WITHDRAWAL FORCE MEASUREMENT

Contact withdrawal force measurement shall be made using sizing and test pins as defined below to meet the performance requirements of Para . 5.2.

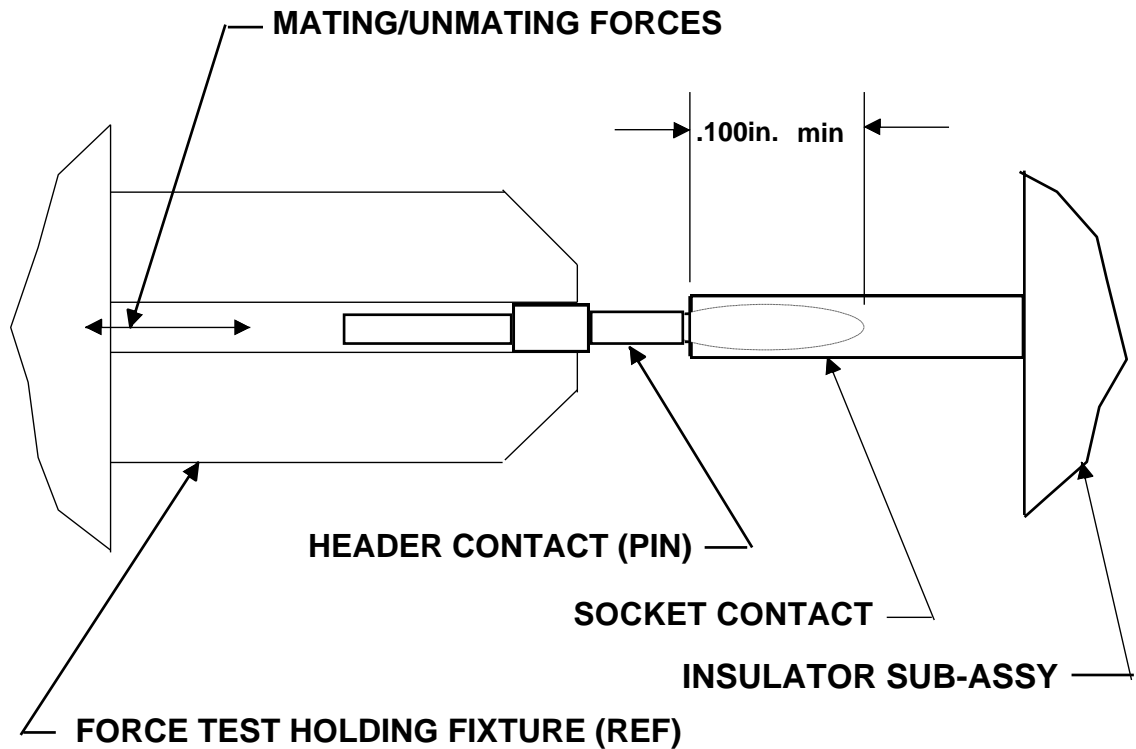


FIGURE 2

THIS DOCUMENT CONTAINS INFORMATION THAT IS PROPRIETARY TO MOLEX ELECTRONIC TECHNOLOGIES, LLC AND SHOULD NOT BE USED WITHOUT WRITTEN PERMISSION

REVISION DESCRIPTION				UL NUMBER UPDATED FROM E34763 TO E152602				PRODUCT SPECIFICATION FOR COMMERCIAL MICRO-D CONNECTOR SYSTEM			
CHANGE NO.				662481							
REVISED BY	PKH	DATE	2021/04/22	DOC TYPE	DOC TYPE DESCRIPTION			DOC PART	SERIES		
REV APPR BY	JMACNEIL	DATE	2021/04/30	PS	ENGINEERING SPECIFICATION WORD			001	83421		
INITIAL RELEASE				CUSTOMER		DOCUMENT NUMBER			REVISION	SHEET	
INITIAL DRWN	CLYORK	DATE	2007/10/15	GENERAL MARKET		PS-83421-001			R1	9 OF 16	
INITIAL APPR	JMACNEIL	DATE	2007/11/05								

7.3 SHOCK AND VIBRATION TEST SETUP

For shock and vibration testing, connector under test shall be fixtured as shown below

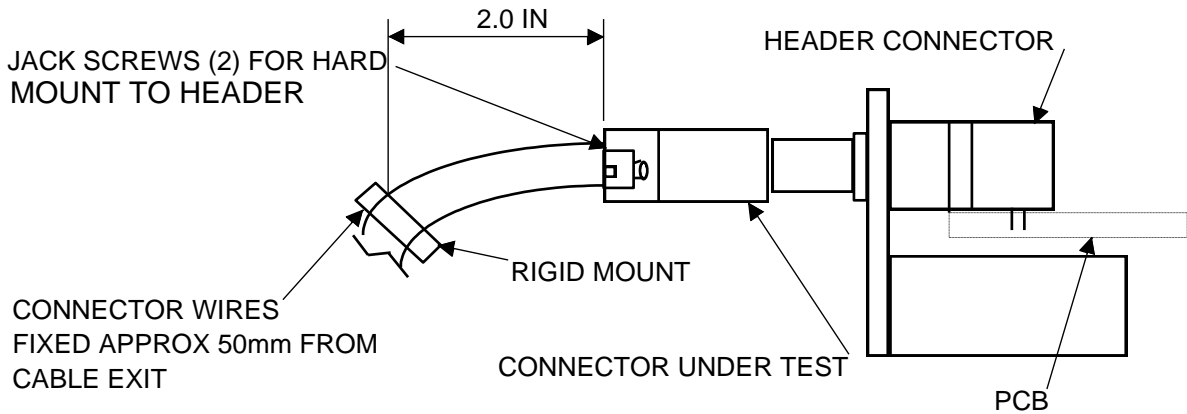


FIGURE 3

THIS DOCUMENT CONTAINS INFORMATION THAT IS PROPRIETARY TO MOLEX ELECTRONIC TECHNOLOGIES, LLC AND SHOULD NOT BE USED WITHOUT WRITTEN PERMISSION

REVISION DESCRIPTION		UL NUMBER UPDATED FROM E34763 TO E152602		PRODUCT SPECIFICATION FOR COMMERCIAL MICRO-D CONNECTOR SYSTEM			
CHANGE NO.		662481					
REVISED BY	PKH	DATE	2021/04/22	DOC TYPE	DOC TYPE DESCRIPTION	DOC PART	SERIES
REV APPR BY	JMACNEIL	DATE	2021/04/30	PS	ENGINEERING SPECIFICATION WORD	001	83421
INITIAL RELEASE				CUSTOMER	DOCUMENT NUMBER	REVISION	SHEET
INITIAL DRWN	CLYORK	DATE	2007/10/15	GENERAL MARKET	PS-83421-001	R1	10 OF 16
INITIAL APPR	JMACNEIL	DATE	2007/11/05				

7.4 CABLE PULLOUT TEST REQUIREMENTS

Cable pullout test measurement shall be made using the test setup shown below to meet the requirements of Para. 5.3.

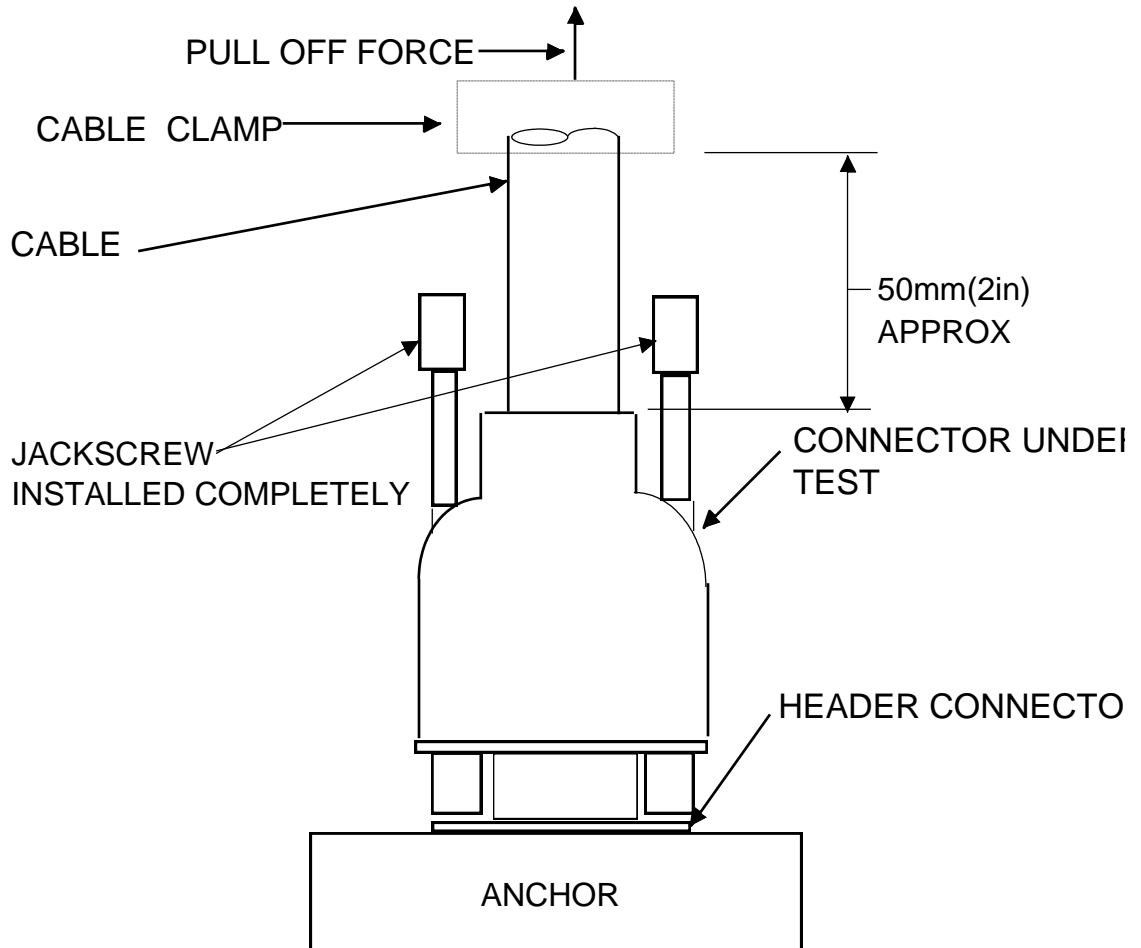


FIGURE 4

THIS DOCUMENT CONTAINS INFORMATION THAT IS PROPRIETARY TO MOLEX ELECTRONIC TECHNOLOGIES, LLC AND SHOULD NOT BE USED WITHOUT WRITTEN PERMISSION

REVISION DESCRIPTION				UL NUMBER UPDATED FROM E34763 TO E152602				PRODUCT SPECIFICATION FOR COMMERCIAL MICRO-D CONNECTOR SYSTEM			
CHANGE NO.				662481							
REVISED BY	PKH	DATE	2021/04/22	DOC TYPE	DOC TYPE DESCRIPTION			DOC PART	SERIES		
REV APPR BY	JMACNEIL	DATE	2021/04/30	PS	ENGINEERING SPECIFICATION WORD			001	83421		
INITIAL RELEASE				CUSTOMER		DOCUMENT NUMBER			REVISION	SHEET	
INITIAL DRWN	CLYORK	DATE	2007/10/15	GENERAL MARKET		PS-83421-001			R1	11 OF 16	
INITIAL APPR	JMACNEIL	DATE	2007/11/05								

7.5 CONNECTOR MATING AND UNMATING TEST REQUIREMENTS

Connector mating and unmating tests shall be made using the test setup shown below to meet the requirements of Para. 5.2.

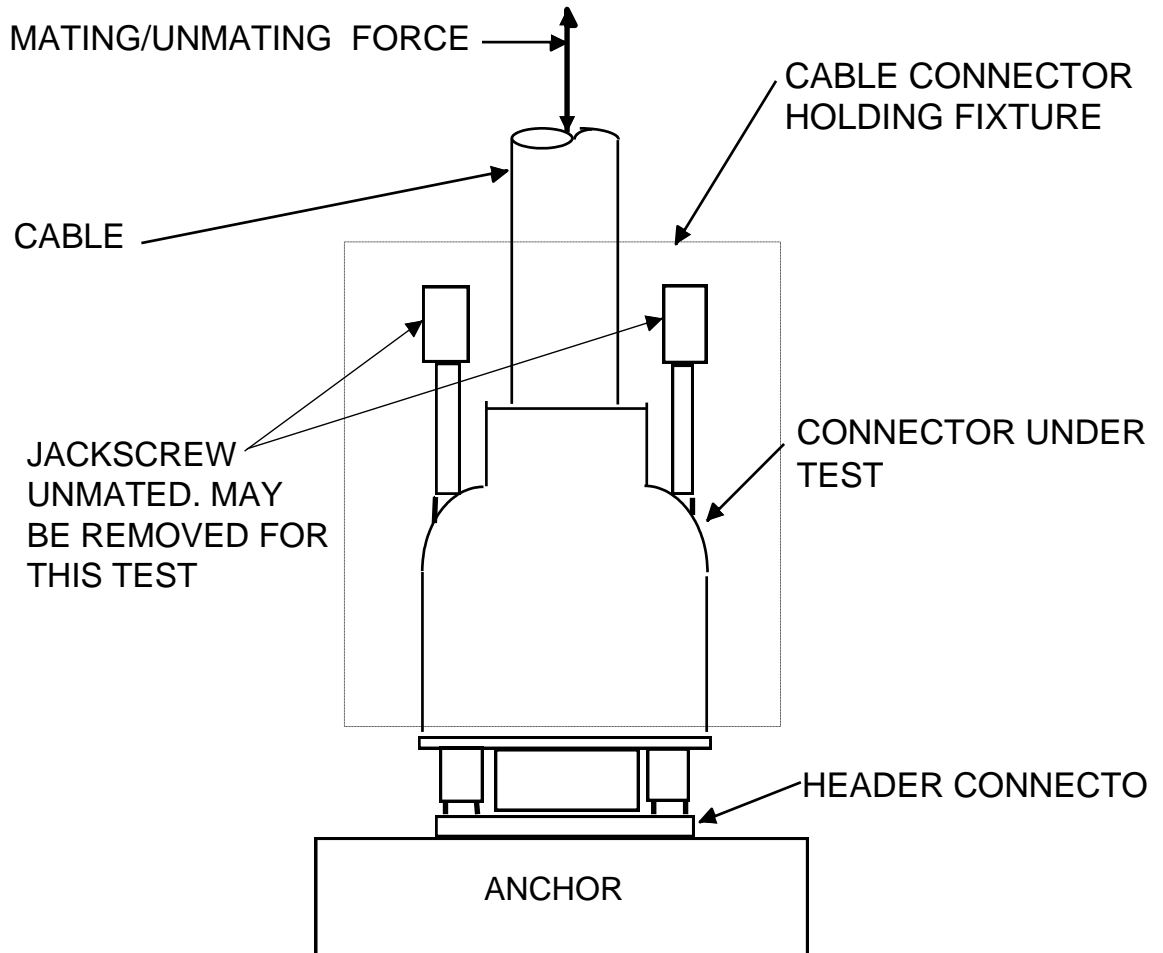


FIGURE 5

THIS DOCUMENT CONTAINS INFORMATION THAT IS PROPRIETARY TO MOLEX ELECTRONIC TECHNOLOGIES, LLC AND SHOULD NOT BE USED WITHOUT WRITTEN PERMISSION

REVISION DESCRIPTION		UL NUMBER UPDATED FROM E34763 TO E152602		PRODUCT SPECIFICATION FOR COMMERCIAL MICRO-D CONNECTOR SYSTEM			
CHANGE NO.		662481					
REVISED BY	PKH	DATE	2021/04/22	DOC TYPE	DOC TYPE DESCRIPTION	DOC PART	SERIES
REV APPR BY	JMACNEIL	DATE	2021/04/30	PS	ENGINEERING SPECIFICATION WORD	001	83421
INITIAL RELEASE				CUSTOMER	DOCUMENT NUMBER	REVISION	SHEET
INITIAL DRWN	CLYORK	DATE	2007/10/15	GENERAL MARKET	PS-83421-001	R1	12 OF 16
INITIAL APPR	JMACNEIL	DATE	2007/11/05				

8.0 OTHER INFORMATION

8.1 QUALITY CONFORMANCE INSPECTION

Inspection of product for delivery shall consist of Groups A and B inspections.

8.1.1 Group A Inspection

Group A inspection shall consist of the visual and mechanical inspection specified in the table below.

GROUP A INSPECTION

INSPECTION	REQUIREMENT	INSPECTION LEVEL
Visual examination	Para. 8.1.1.1	100%
Critical examination	Para. 8.1.1.2	100%

8.1.1.1 Visual examination (Group A inspection)

Each product for delivery shall be visually examined for completeness, workmanship and identification requirements. Attention shall be given to correct material, plating and obvious voids, cracks or other blemishes and defects detrimental to the function of the parts.

8.1.1.2 Critical examination (Group A inspection)

Each product for delivery shall be examined for critical (major) attributes per the individual drawing. These critical attributes shall be examined 100% for conformance to the requirements of the drawing.

Insulator subassemblies and backshell subassemblies shall also be examined for conformance to the subassembly drawings to insure the following (in-process inspection is acceptable):

1. Insulator subassembly latches are completely latched and there is no evidence of cracked, bent or broken latches
2. The two insulators are seated flush with no visible gap between their mating surfaces as a result of excessive flash or debris.
3. Backshell subassemblies shall be free to swivel 360 degrees without distortion of the subassembly components.

THIS DOCUMENT CONTAINS INFORMATION THAT IS PROPRIETARY TO MOLEX ELECTRONIC TECHNOLOGIES, LLC AND SHOULD NOT BE USED WITHOUT WRITTEN PERMISSION

REVISION DESCRIPTION		UL NUMBER UPDATED FROM E34763 TO E152602		PRODUCT SPECIFICATION FOR COMMERCIAL MICRO-D CONNECTOR SYSTEM			
CHANGE NO.		662481					
REVISED BY	PKH	DATE	2021/04/22	DOC TYPE	DOC TYPE DESCRIPTION	DOC PART	SERIES
REV APPR BY	JMACNEIL	DATE	2021/04/30	PS	ENGINEERING SPECIFICATION WORD	001	83421
INITIAL RELEASE				CUSTOMER		DOCUMENT NUMBER	
INITIAL DRWN	CLYORK	DATE	2007/10/15	GENERAL MARKET		PS-83421-001	R1
INITIAL APPR	JMACNEIL	DATE	2007/11/05				

8.1.2 Group B inspection

Group B inspection shall consist of the inspections specified in the table below, in the order shown, and shall be made on samples that have been submitted and have passed the Group A inspection. Cable assembly samples shall be assembled into single or double-ended cable assemblies of sufficient length to perform the tests noted below.

GROUP B INSPECTION

INSPECTION	REQUIREMENT	INSPECTION LEVEL																
Contact resistance	4 contacts per assy. C.R.=35mΩ max. See Fig 1 for measurement points	AQL 1.0 LEVEL II																
Insulation resistance	500±15Vac, 4 contacts per connector.I.R. to be >10 ⁹ Ω	AQL 1.0 LEVEL II																
Dielectric Withstanding Voltage (DWV)	630 Vac min between pins. There shall be no evidence of breakdown or flashover.	AQL 1.0 LEVEL II																
Connector mating and unmating force Measured in oz.	<table border="1"> <thead> <tr> <th></th> <th colspan="3">POSITION</th> </tr> <tr> <th></th> <th>9</th> <th>15</th> <th>25</th> </tr> </thead> <tbody> <tr> <td>Max Mating</td> <td>165</td> <td>178</td> <td>238</td> </tr> <tr> <td>MinUnmating</td> <td>21</td> <td>24</td> <td>29</td> </tr> </tbody> </table>		POSITION				9	15	25	Max Mating	165	178	238	MinUnmating	21	24	29	AQL 1.0 LEVEL II
	POSITION																	
	9	15	25															
Max Mating	165	178	238															
MinUnmating	21	24	29															
Cable retention	25 lb min, See Para. 5.3 for test setup	AQL 1.0 LEVEL II																

8.2.1.1 Contact resistance (Group B inspection)

Sample connectors from Group A inspection shall be assembled according to sales drawing assembly procedures using 83000-0002 or 83000-0069 contacts. Contacts to be conditioned 3 times using 83000-9001 contact. Contact resistance to be measured using a new not previously mated 83000-9001 contact per MIL-STD-1344, Method 3004 and Figure 1. Backshell sub-assy, boot, crimp ring and jack screws may be omitted. The 83000-9001 contacts used for conditioning are limited to 50 conditioning mates before being replaced.

8.2.1.2 Insulation resistance (Group B inspection)

Insulation resistance shall be measured on samples from Para. 8.2.1.1 according to method 3003 of MIL- STD-1344 on each contact in the connector under test. IR to be measured between closest pair of contacts and closest contact and connector shell.

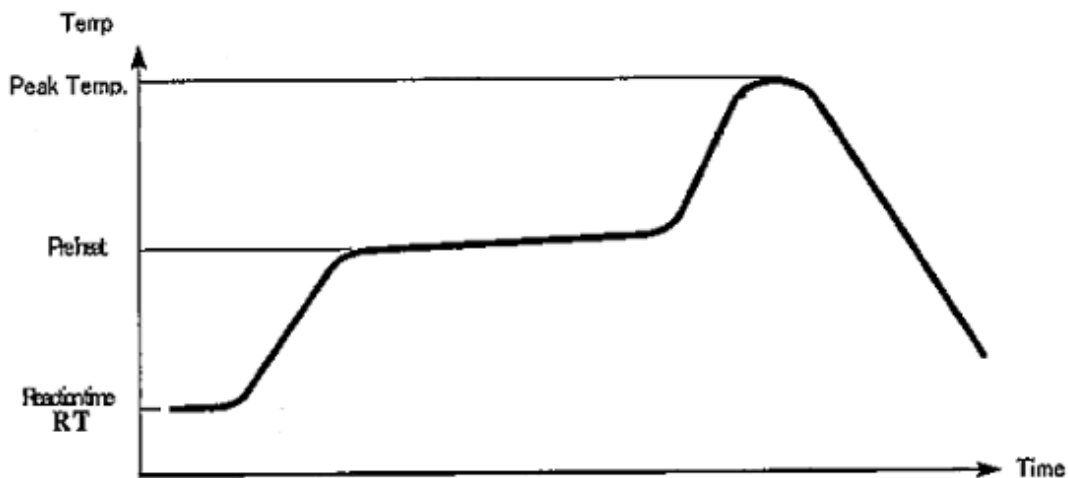
THIS DOCUMENT CONTAINS INFORMATION THAT IS PROPRIETARY TO MOLEX ELECTRONIC TECHNOLOGIES, LLC AND SHOULD NOT BE USED WITHOUT WRITTEN PERMISSION

REVISION DESCRIPTION				UL NUMBER UPDATED FROM E34763 TO E152602				PRODUCT SPECIFICATION FOR COMMERCIAL MICRO-D CONNECTOR SYSTEM					
CHANGE NO.				662481									
REVISED BY		PKH		DATE		2021/04/22		DOC TYPE		DOC TYPE DESCRIPTION		DOC PART	SERIES
REV APPR BY		JMACNEIL		DATE		2021/04/30		PS		ENGINEERING SPECIFICATION WORD		001	83421
INITIAL RELEASE				CUSTOMER				DOCUMENT NUMBER				REVISION	SHEET
INITIAL DRWN		CLYORK		DATE		2007/10/15		GENERAL MARKET		PS-83421-001		R1	14 OF 16
INITIAL APPR		JMACNEIL		DATE		2007/11/05							

8.2.1.3 Environment Requirements

Solderability	Solder Time: 5 +/-0.5 secs. Solder Temperature: 260+/- 5°C	95% of the immersed area must show no voids, pin holes.
Resistance to Soldering Heat (Through Hole)	Solder tail to be dipped in flux as per MIL-STD-202F method 210 condition B. Solder Temperature: 260 +/- 5°C Solder Time: 10 +/- 1 secs.	No damage in appearance of the connector
Resistance to IR reflow heat (SMT)	Pass product through IR machine for 3 cycles of the following reflow profile: Average Ramp Rate 3°C/sec max. Preheat Temp. (Min.) 150°C Preheat Temp. (Max.) 200°C Preheat Time 60 – 180 sec Ramp to Peak 3°C/sec max. Time over liquids (217°C) 60 – 150 sec Peak Temperature 260 +/-5°C Time within 5°C of peak 20 – 40 sec. Ramp – Cool Down 6°C/sec max. Time 25°C to Peak 8 mins. max.	No damage in appearance of the connector

Reflow Temperature Profile



Note: Please check the mount condition (reflow soldering condition) by own devices before hand, because the condition changes by soldering devices.

THIS DOCUMENT CONTAINS INFORMATION THAT IS PROPRIETARY TO MOLEX ELECTRONIC TECHNOLOGIES, LLC AND SHOULD NOT BE USED WITHOUT WRITTEN PERMISSION

REVISION DESCRIPTION	UL NUMBER UPDATED FROM E34763 TO E152602			PRODUCT SPECIFICATION FOR COMMERCIAL MICRO-D CONNECTOR SYSTEM				
CHANGE NO.	662481							
REVISED BY	PKH	DATE	2021/04/22	DOC TYPE	DOC TYPE DESCRIPTION	DOC PART	SERIES	
REV APPR BY	JMACNEIL	DATE	2021/04/30	PS	ENGINEERING SPECIFICATION WORD	001	83421	
INITIAL RELEASE				CUSTOMER		DOCUMENT NUMBER		
INITIAL DRWN	CLYORK	DATE	2007/10/15	GENERAL MARKET		PS-83421-001	R1	
INITIAL APPR	JMACNEIL	DATE	2007/11/05					
							REVISION	SHEET
								15 OF 16

8.2.1.4 Dielectric Withstanding Voltage (DWV): (Group B inspection)

DWV shall be measured on samples from Para. 8.2.1.2 according to Method 3001 of MIL-STD-1344 on each contact in the connector under test. DWV to be measured between closest pair of contacts and closest contact and connector shell.

8.2.1.5 Connector mating and unmating force (Group B inspection)

Samples from Para 8.2.1.3 shall be assembled with backshell, crimp ring, boot and jackscrews according to sales drawing assembly instructions. Mount connector in pull test fixture as shown in Figure 5 (unmated). At a feed rate of approximately 10mm/sec, mate connector under test with the mating Series 83611, 83612, or 83614 headers as appropriate until fully mated. At the same feed rate, unmate the connector from the header. Monitor mating and unmating forces continuously during mate/unmate cycle.

8.2.1.6 Cable retention (Group B inspection)

Samples from Para 8.2.1.4 shall be mounted as shown in Para 5.2, Phase 8. At a rate of approximately 10 mm/sec pull on the cable to 25 lb. minimum. The cable shall not separate from the connector sufficient to affect the performance of the connector.

9.0 Revision History

- A. See History file
- B. See History file
- C. See History file
- D. Para. 2.2 and 2.4: deleted ref to specific cable and SSA standards, Para 3.0: Added MIL-STD- 1344, Para 4.3, Vibration resistance: was "10-32Hz @ .35amp; 32-500Hz @ 5g accel", TABLES I, A, B, C: corrected Requirements for Contact resistance and Voltage proof; TABLE A: changed Vibration test to Cond II, 10-500 Hz 5g accel; GROUP B INSPECTION: changed DWV to 350 Vac and 630Vac.
- E Revised mate/ummate force to 10 oz per contact
- F Updated product specification to include requirements and parameters for 15 and 25 pin configurations
- G Added Safety Agency file number and minor editorial corrections.
- H Release to work manager
- J Added 26 AWG cable
- K Added new P/Ns-Overmold, Revised insulator from LCP to Zenite
- L Revised Format
- M ADD "MATTE" TO CONTACT FINISH
- N Revise mating and Unmating Requirements.
- O Not Used
- P Remove MAX from 5.2 AND 8.1.2.
- P1 Missing data from report. Resubmit ECN
- P2 Update Electrical Specification: 4.1) Dielectric Withstanding Voltage, Operating Voltage
- Q Added 8.2.13 Sheet No. 15 Environment Requirements
- R Define operating temperatures for cable assemblies and headers separately

THIS DOCUMENT CONTAINS INFORMATION THAT IS PROPRIETARY TO MOLEX ELECTRONIC TECHNOLOGIES, LLC AND SHOULD NOT BE USED WITHOUT WRITTEN PERMISSION

REVISION DESCRIPTION		UL NUMBER UPDATED FROM E34763 TO E152602		PRODUCT SPECIFICATION FOR COMMERCIAL MICRO-D CONNECTOR SYSTEM			
CHANGE NO.		662481					
REVISED BY	PKH	DATE	2021/04/22	DOC TYPE	DOC TYPE DESCRIPTION	DOC PART	SERIES
REV APPR BY	JMACNEIL	DATE	2021/04/30	PS	ENGINEERING SPECIFICATION WORD	001	83421
INITIAL RELEASE				CUSTOMER		DOCUMENT NUMBER	
INITIAL DRWN	CLYORK	DATE	2007/10/15	GENERAL MARKET		PS-83421-001	
INITIAL APPR	JMACNEIL	DATE	2007/11/05				
						R1	16 OF 16