

STANDARD 14-20 AWG: 00-9177

General Information



The 917X series of surface mount Insulation Displacement Connectors (IDC) were developed to meet the harsh automotive and industrial market applications for connecting individual wires directly to a PCB ranging from 14 AWG to 28 AWG. This industry proven contact system has been tested to automotive levels of shock, vibration, and temperature cycling to prove their reliability and robustness. The simplicity of inserting a wire into the connector with a small tool allows a wide range of devices to be connected to the PCB without soldering. In SSL applications specifically, these connectors are used to bring power and signal onto the PCB or are used to daisy chain multiple boards together in a long string. While the IDC contact provides a gas-tight connection to conductor of the wire, the housing has been designed to grab the insulation of the wire to provide a positive strain relief even in the harshest conditions. In case of repair, the wires can be removed and replaced up to three times.

The 9177 series accepts 14 AWG to 20 AWG wires with an insulation diameter ranging from 2.75mm to 4.25mm. These dual contact connectors support a 15 amp current rating with two large SMT solder tails per wire to provide maximum stability on the PCB. Available in 1p-3p configuration, these connectors can be end stackable for higher pin counts.

APPLICATIONS

- Connecting discrete wire components directly to the PCB
- Bringing power and signals onto a PCB
- Daisy chaining PCB's together to create a continuous string of boards
- Application Notes: refer to 201-01-124

FEATURES AND BENEFITS

- IDC contact provides a gas-tight connection to the PCB for long term reliability
- Connector housing captures the wire insulation for positive strain relief
- Tested to automotive levels on shock, vibration and temperature cycling for reliability
- Low and high volume assembly tools to match production volumes
- Reduced total applied cost versus solder or crimp processes
- High temperature insulator capable to 260°C reflow soldering processes

ELECTRICAL

- Current Rating: 15 Amp / Contact
- Voltage Rating: 600 VAC

ENVIRONMENTAL

- Operating Temperature: -40°C to +125°C

MECHANICAL

- Insulator Material: Nylon 46: UL94V0
- Contact Material: Phosphor Bronze
- Plating: Tin over Nickel
- Durability: 3 Cycles

HOW TO ORDER

00 Prefix	9177 Series	00X Number of Ways	0XX Wire Gauge Size	X Color/Approval	06 Plating Option																																										
		<table border="1"> <thead> <tr> <th>Code</th> <th>No of Ways</th> <th>Details</th> </tr> </thead> <tbody> <tr> <td>001</td> <td>1</td> <td>Page 62</td> </tr> <tr> <td>002</td> <td>2</td> <td>Page 63</td> </tr> <tr> <td>003</td> <td>3</td> <td>Page 64</td> </tr> </tbody> </table>	Code	No of Ways	Details	001	1	Page 62	002	2	Page 63	003	3	Page 64	<table border="1"> <thead> <tr> <th>Code</th> <th>Accepted Wire Gauge</th> <th>Wire Insulation</th> </tr> </thead> <tbody> <tr> <td>001</td> <td>14 AWG Solid or Stranded</td> <td>Ø 4.25</td> </tr> <tr> <td>012</td> <td>16 AWG Solid or Stranded</td> <td>Ø 3.50</td> </tr> <tr> <td>022</td> <td>18 AWG Solid or Stranded</td> <td>Ø 3.50</td> </tr> <tr> <td>033</td> <td>20 AWG Solid or Stranded</td> <td>Ø 2.75</td> </tr> </tbody> </table>	Code	Accepted Wire Gauge	Wire Insulation	001	14 AWG Solid or Stranded	Ø 4.25	012	16 AWG Solid or Stranded	Ø 3.50	022	18 AWG Solid or Stranded	Ø 3.50	033	20 AWG Solid or Stranded	Ø 2.75	<table border="1"> <thead> <tr> <th>Code</th> <th>Color</th> <th>Approval</th> </tr> </thead> <tbody> <tr> <td>0</td> <td>Black</td> <td>Special Order - NON-UL</td> </tr> <tr> <td>1</td> <td>White</td> <td>Special Order - NON-UL</td> </tr> <tr> <td>8</td> <td>Black</td> <td>Special Order - UL APPROVED</td> </tr> <tr> <td>9</td> <td>White</td> <td>Standard - UL APPROVED</td> </tr> </tbody> </table>	Code	Color	Approval	0	Black	Special Order - NON-UL	1	White	Special Order - NON-UL	8	Black	Special Order - UL APPROVED	9	White	Standard - UL APPROVED	06 = Pure Tin all Over
Code	No of Ways	Details																																													
001	1	Page 62																																													
002	2	Page 63																																													
003	3	Page 64																																													
Code	Accepted Wire Gauge	Wire Insulation																																													
001	14 AWG Solid or Stranded	Ø 4.25																																													
012	16 AWG Solid or Stranded	Ø 3.50																																													
022	18 AWG Solid or Stranded	Ø 3.50																																													
033	20 AWG Solid or Stranded	Ø 2.75																																													
Code	Color	Approval																																													
0	Black	Special Order - NON-UL																																													
1	White	Special Order - NON-UL																																													
8	Black	Special Order - UL APPROVED																																													
9	White	Standard - UL APPROVED																																													



HOW TO ORDER – CAP OPTIONS – THROUGH WIRE

00 Prefix 60 = Cap	9177 Series	00X Number of Ways	0XX Wire Gauge Size	X00 Insulator Color																														
		<table border="1"> <thead> <tr> <th>Code</th> <th>No of Ways</th> </tr> </thead> <tbody> <tr> <td>001</td> <td>1</td> </tr> <tr> <td>002</td> <td>2</td> </tr> <tr> <td>003</td> <td>3</td> </tr> </tbody> </table>	Code	No of Ways	001	1	002	2	003	3	<table border="1"> <thead> <tr> <th>Code</th> <th>Wire Insulator Diameter (Note 3)</th> <th>A</th> <th>B</th> </tr> </thead> <tbody> <tr> <td>027</td> <td>2.10mm - 2.75mm</td> <td>Ø2.75</td> <td>2.00</td> </tr> <tr> <td>035</td> <td>2.75mm - 3.50mm</td> <td>Ø3.50</td> <td>2.65</td> </tr> <tr> <td>042</td> <td>3.50mm - 4.25mm</td> <td>Ø4.25</td> <td>3.40</td> </tr> </tbody> </table>	Code	Wire Insulator Diameter (Note 3)	A	B	027	2.10mm - 2.75mm	Ø2.75	2.00	035	2.75mm - 3.50mm	Ø3.50	2.65	042	3.50mm - 4.25mm	Ø4.25	3.40	<table border="1"> <thead> <tr> <th>Code</th> <th>Color</th> </tr> </thead> <tbody> <tr> <td>000</td> <td>Black</td> </tr> <tr> <td>100</td> <td>White</td> </tr> </tbody> </table>	Code	Color	000	Black	100	White
Code	No of Ways																																	
001	1																																	
002	2																																	
003	3																																	
Code	Wire Insulator Diameter (Note 3)	A	B																															
027	2.10mm - 2.75mm	Ø2.75	2.00																															
035	2.75mm - 3.50mm	Ø3.50	2.65																															
042	3.50mm - 4.25mm	Ø4.25	3.40																															
Code	Color																																	
000	Black																																	
100	White																																	

HOW TO ORDER – CAP OPTIONS – WIRE STOP

60 Prefix 60 = Cap	9177 Series	00X Number of Ways	0XX Wire Gauge Size	X00 Insulator Color																														
		<table border="1"> <thead> <tr> <th>Code</th> <th>No of Ways</th> </tr> </thead> <tbody> <tr> <td>001</td> <td>1</td> </tr> <tr> <td>002</td> <td>2</td> </tr> <tr> <td>003</td> <td>3</td> </tr> </tbody> </table>	Code	No of Ways	001	1	002	2	003	3	<table border="1"> <thead> <tr> <th>Code</th> <th>Wire Insulator Diameter (Note 3)</th> <th>A</th> <th>B</th> </tr> </thead> <tbody> <tr> <td>027</td> <td>2.10mm - 2.75mm</td> <td>Ø2.75</td> <td>2.00</td> </tr> <tr> <td>035</td> <td>2.75mm - 3.50mm</td> <td>Ø3.50</td> <td>2.65</td> </tr> <tr> <td>042</td> <td>3.50mm - 4.25mm</td> <td>Ø4.25</td> <td>3.40</td> </tr> </tbody> </table>	Code	Wire Insulator Diameter (Note 3)	A	B	027	2.10mm - 2.75mm	Ø2.75	2.00	035	2.75mm - 3.50mm	Ø3.50	2.65	042	3.50mm - 4.25mm	Ø4.25	3.40	<table border="1"> <thead> <tr> <th>Code</th> <th>Color</th> </tr> </thead> <tbody> <tr> <td>099</td> <td>Black</td> </tr> <tr> <td>199</td> <td>White</td> </tr> </tbody> </table>	Code	Color	099	Black	199	White
Code	No of Ways																																	
001	1																																	
002	2																																	
003	3																																	
Code	Wire Insulator Diameter (Note 3)	A	B																															
027	2.10mm - 2.75mm	Ø2.75	2.00																															
035	2.75mm - 3.50mm	Ø3.50	2.65																															
042	3.50mm - 4.25mm	Ø4.25	3.40																															
Code	Color																																	
099	Black																																	
199	White																																	

Certification:
UL File # E320991,
check UL conditions of use for
specific ratings and details

STANDARD 14-20 AWG: 00-9177

General Information

CONNECTOR/TOOLING PART NUMBER MATRIX

AWG	Wire Insulation	SERIES 9177 IDC			HAND INSERTION TOOLING*		ACCESSORY CAPS	
		Positions	Color	Part Number	Plastic (low volume)	Metal (high volume)	Through Wire	Wire Stop
14	Ø 4.25	1p	White	009177001001106	069177701601001	069177701701001	609177001042100	609177001042199
14	Ø 4.25	1p	Black	009177001001006	069177701601001	069177701701001	609177001042000	609177001042099
14	Ø 4.25	2p	White	009177002001106	069177701601002	069177701701002	609177002042100	609177002042199
14	Ø 4.25	2p	Black	009177002001006	069177701601002	069177701701002	609177002042000	609177002042099
14	Ø 4.25	3p	White	009177003001106	069177701601003	069177701701003	609177003042100	609177003042199
14	Ø 4.25	3p	Black	009177003001006	069177701601003	069177701701003	609177003042000	609177003042099
16	Ø 3.50	1p	White	009177001012106	069177701602001	069177701702001	609177001035100	609177001035199
16	Ø 3.50	1p	Black	009177001012006	069177701602001	069177701702001	609177001035000	609177001035099
16	Ø 3.50	2p	White	009177002012106	069177701602002	069177701702002	609177002035100	609177002035199
16	Ø 3.50	2p	Black	009177002012006	069177701602002	069177701702002	609177002035000	609177002035099
16	Ø 3.50	3p	White	009177003012106	069177701602003	069177701702003	609177003035100	609177003035199
16	Ø 3.50	3p	Black	009177003012006	069177701602003	069177701702003	609177003035000	609177003035099
18	Ø 3.50	1p	White	009177001022106	069177701602001	069177701702001	609177001035100	609177001035199
18	Ø 3.50	1p	Black	009177001022006	069177701602001	069177701702001	609177001035000	609177001035099
18	Ø 3.50	2p	White	009177002022106	069177701602002	069177701702002	609177002035100	609177002035199
18	Ø 3.50	2p	Black	009177002022006	069177701602002	069177701702002	609177002035000	609177002035099
18	Ø 3.50	3p	White	009177003022106	069177701602003	069177701702003	609177003035100	609177003035199
18	Ø 3.50	3p	Black	009177003022006	069177701602003	069177701702003	609177003035000	609177003035099
20	Ø 2.75	1p	White	009177001033106	069177701603001	069177701703001	609177001027100	609177001027199
20	Ø 2.75	1p	Black	009177001033006	069177701603001	069177701703001	609177001027000	609177001027099
20	Ø 2.75	2p	White	009177002033106	069177701603002	069177701703002	609177002027100	609177002027199
20	Ø 2.75	2p	Black	009177002033006	069177701603002	069177701703002	609177002027000	609177002027099
20	Ø 2.75	3p	White	009177003033106	069177701603003	069177701703003	609177003027100	609177003027199
20	Ø 2.75	3p	Black	009177003033006	069177701603003	069177701703003	609177003027000	609177003027099

* Insertion Tooling - Requires Hand Press with Flat Rock Plates; Consult Application Notes 201-01-124

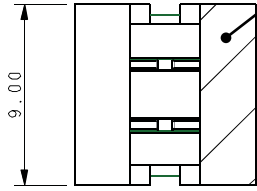
STANDARD 14-20 AWG: 00-9177

1 Position

14-20 AWG 1 WAY IDC CONNECTOR

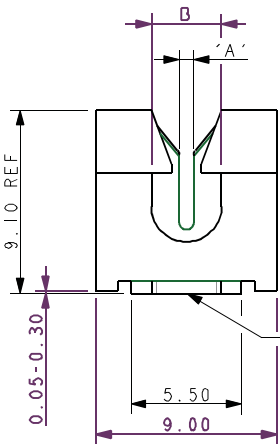


Pick and place area 2.375 x 9.00mm MIN

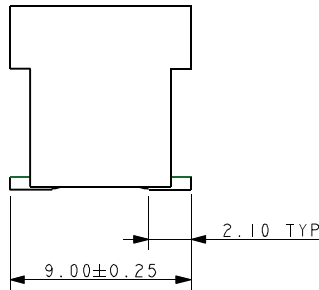


NOTES:

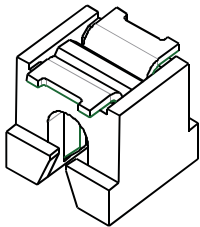
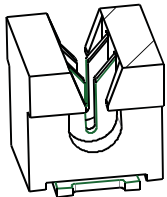
1. CONNECTOR FOR IDC WIRE TO BOARD CONNECTION.
2. CONTACT MATERIAL: PHOSPHOR BRONZE. INSULATION MATERIAL: HIGH TEMP NYLON 46, COLOUR REFER TO SHEET 1.
3. CONNECTOR DESIGNED TO ACCEPT BETWEEN 14AWG AND 20AWG SOLID AND STRANDED WIRE.
4. ALL DIMENSIONS ± 0.20 UNLESS TOLERANCED
5. FOR FULL PRODUCT SPECIFICATION ON STANDARD CONNECTORS REFER TO ELCO SPEC 201-01-109, UL COMPONENTS REFER TO ELCO SPEC 201-01-109UL.
6. APPLICATION NOTES 201-01-124
7. FOR UL PRODUCT CODES UL REFERENCE E320991.
8. FOR PCB SPACE RESTRICTED BY ASSEMBLY TOOLING REFER TO SHEET 6



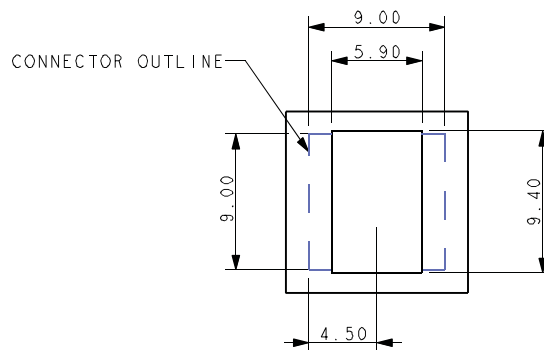
ALL TAILS TO BE WITHIN 0.10mm COPLANARITY.



Code	Accepted Wire Gauge	A	Wire Insulation	B
001	14 AWG Solid or Stranded	1.10	Ø 4.25 max	4.25
012	16 AWG Solid or Stranded	0.82	Ø 3.50 max	3.50
022	18 AWG Solid or Stranded	0.72	Ø 3.50 max	3.50
033	20 AWG Solid or Stranded	0.60	Ø 2.75 max	2.75

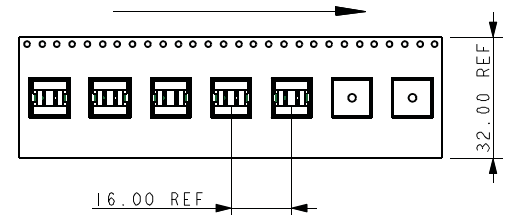
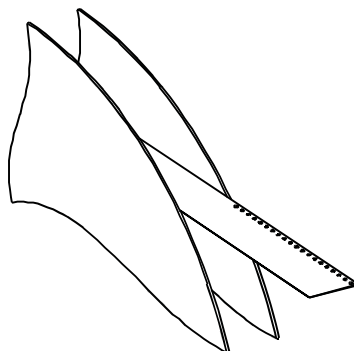


SMT PCB LAYOUT PURE TIN PADS



PACKING DETAILS

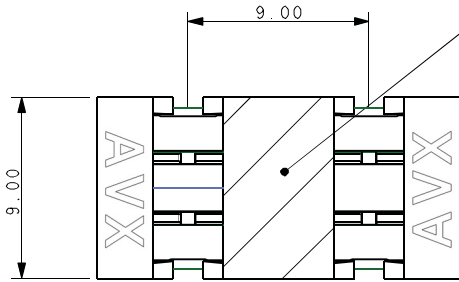
REEL QTY	400
LEADER	500MM
TRAILER	400MM
REEL/BOX	4
PACK QTY	1600



STANDARD 14-20 AWG: 00-9177

2 Position

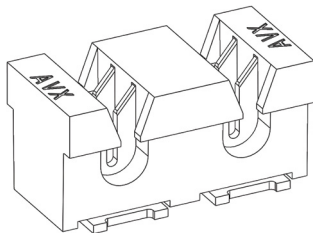
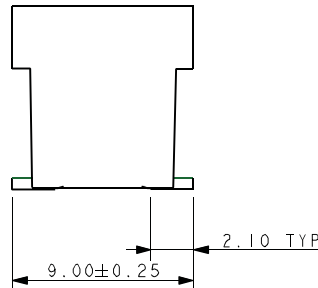
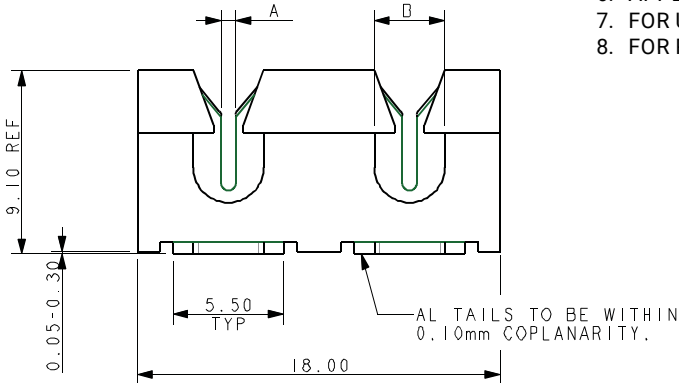
14-20 AWG 2 WAY IDC CONNECTOR



PICK UP AREA 4.75 x 9.00mm MIN

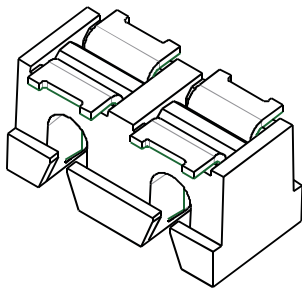
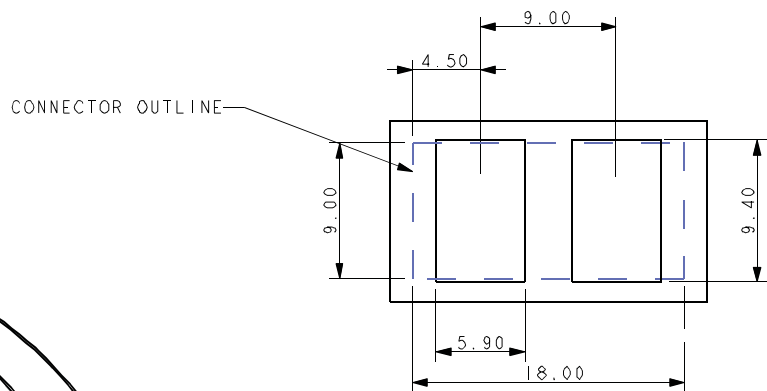
NOTES:

1. CONNECTOR FOR IDC WIRE TO BOARD CONNECTION.
2. CONTACT MATERIAL: PHOSPHOR BRONZE. INSULATION MATERIAL: HIGH TEMP NYLON 46, COLOUR REFER TO SHEET 1.
3. CONNECTOR DESIGN TO ACCEPT BETWEEN 14AWG AND 20AWG SOLID AND STRANDED WIRE.
4. ALL DIMENSIONS ± 0.20 UNLESS TOLLERANCED.
5. FOR FULL PRODUCT SPECIFICATION ON STANDARD CONNECTORS REFER TO ELCO SPEC 201-01-109, UL COMPONENTS REFER TO ELCO SPEC 201-01-109UL.
6. APPLICATION NTOES 201-01-124.
7. FOR UL PRODUCT CODES UL REFERENCE E320991
8. FOR PCB SPACE RESTRICTED BY ASSEMBLY TOOLING REFER TO SHEET 6



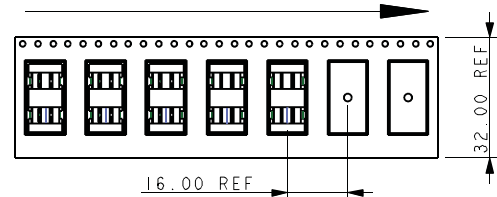
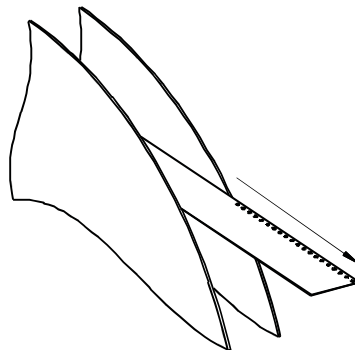
Code	Accepted Wire Gauge	A	Wire Insulation	B
001	14 AWG Solid or Stranded	1.10	Ø4.25 max	4.25
012	16 AWG Solid or Stranded	0.82	Ø3.50 max	3.50
022	18 AWG Solid or Stranded	0.72	Ø3.50 max	3.50
033	20 AWG Solid or Stranded	0.60	Ø2.75 max	2.75

SMT PCB LAYOUT PURE TIN PADS



PACKING DETAILS

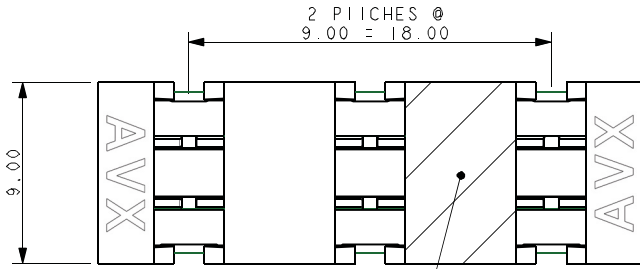
REEL QTY	400
LEADER	500mm
TRAILER	400mm
REEL DIAMETER	330mm



STANDARD 14-20 AWG: 00-9177

3 Position

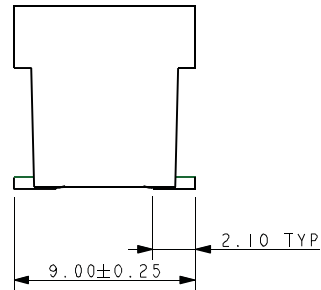
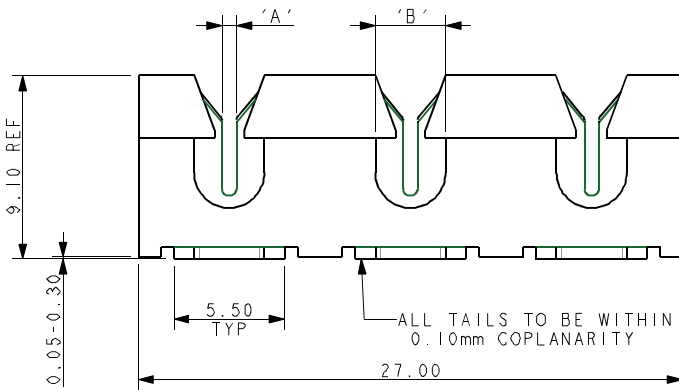
14-20 AWG 3 WAY IDC CONNECTOR



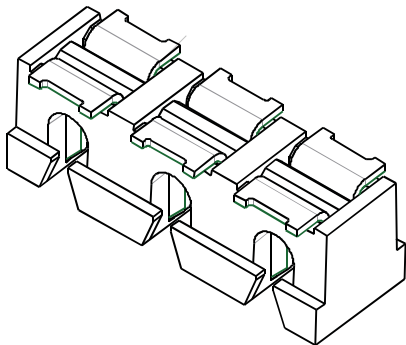
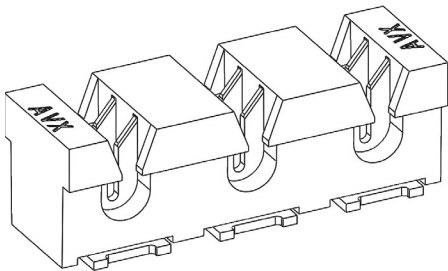
PICK UP AREA 4.75 x 9.00mm MIN

NOTES:

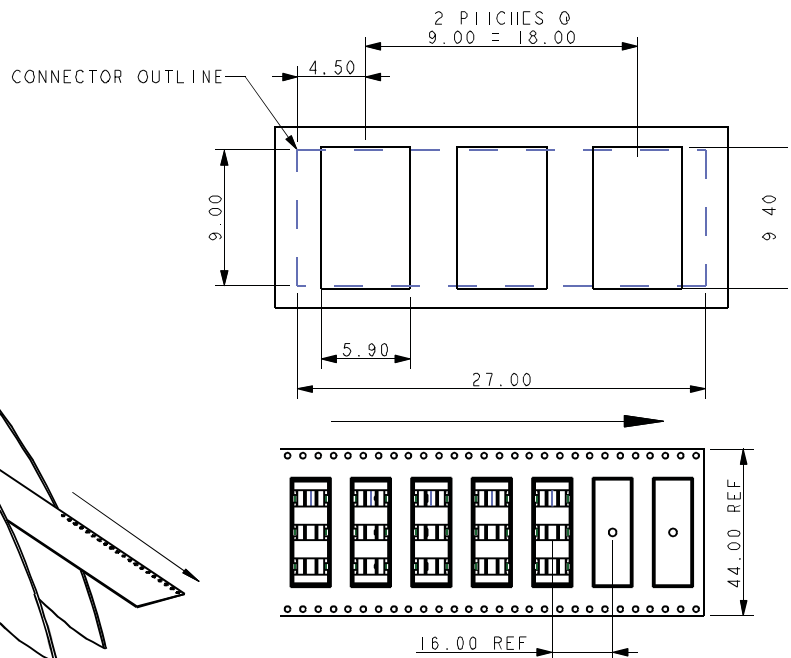
- CONNECTOR FOR IDC WIRE TO BOARD CONNECTION.
- CONTACT MATERIAL: PHOSPHOR BRONZE.
INSULATION MATERIAL: HIGH TEMP NYLON 46, COLOUR REFER TO SHEET 1
- CONNECTOR DESIGNED TO ACCEPT BETWEEN 14AWG AND 20AWG SOLID AND STRANDED WIRE.
- ALL DIMENSIONS ± 0.20 UNLESS TOLERANCED.
- FOR FULL PRODUCT SPECIFICATION ON STANDARD CONNECTORS REFER TO ELCO SPEC 201-01-109, UL COMPONENTS REFER TO ELCO SPEC 201-01-109UL.
- APPLICATION NOTES 201-01-124.
- FOR UL PRODUCT CODES UL REFERENCE E320991.
- FOR PCO SPACE RESTRICTED BY ASSEMBLY TOOLING REFER TO SHEET 6



Code	Accepted Wire Gauge	A	Wire Insulation	B
001	14 AWG Solid or Stranded	1.10	Ø4.25 max	4.25
012	16 AWG Solid or Stranded	0.82	Ø3.50 max	3.50
022	18 AWG Solid or Stranded	0.72	Ø3.50 max	3.50
033	20 AWG Solid or Stranded	0.60	Ø2.75 max	2.75

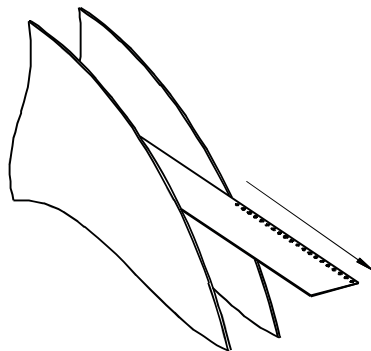


SMT PCB LAYOUT PURE TIN PADS



PACKING DETAILS

REEL QTY	400
LEADER	500mm
TRAILER	400mm
REEL DIAMETER	330mm



STANDARD 14-20 AWG: 00-9177

Assessory Cap - Through Wire

ACCESSORY CAP – THROUGH WIRE

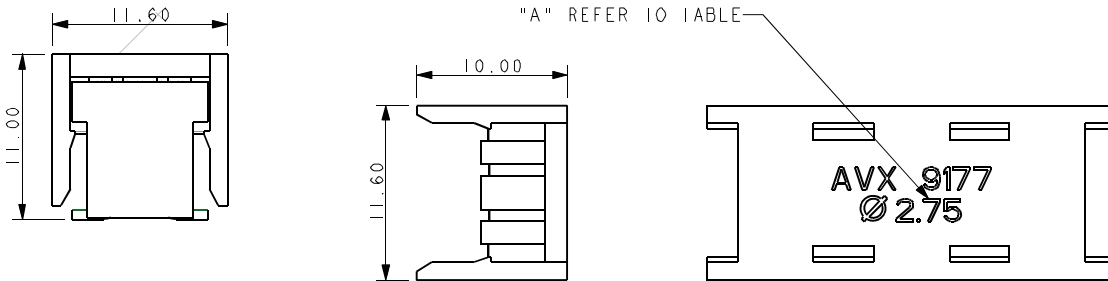
HOW TO ORDER

60	9177	00X

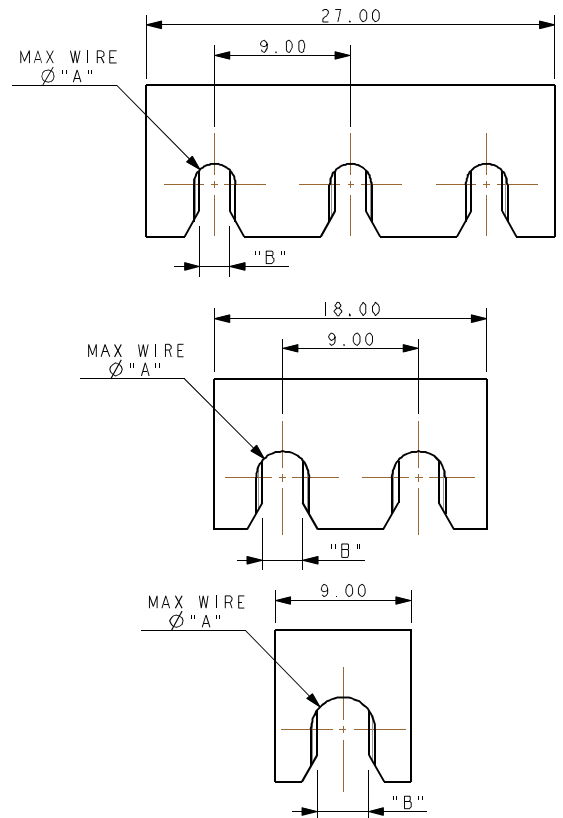
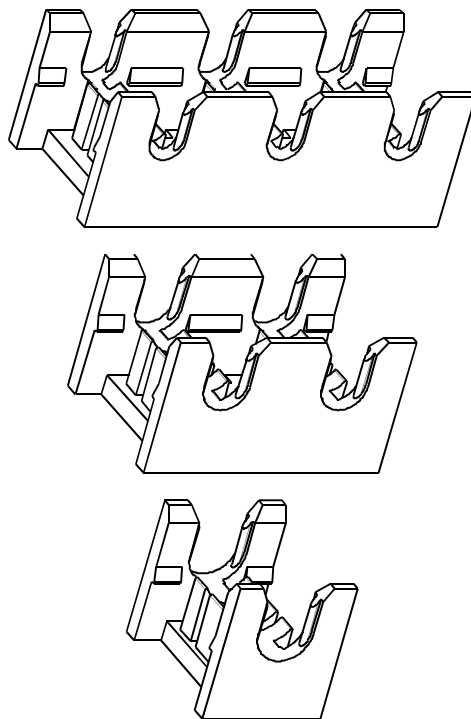
Code	No of Ways
001	1
002	2
003	3

Code	Wire Insulation Diameter (Note 3)	"A"	"B"
027	2.10mm - 2.75mm	ø 2.75	2.00
035	2.75mm - 3.50mm	ø 3.50	2.65
042	3.50mm - 4.25mm	ø 4.25	3.40

X00	Code	COLOUR
	000	Black
	100	White



ASSEMBLED DIMENSIONS



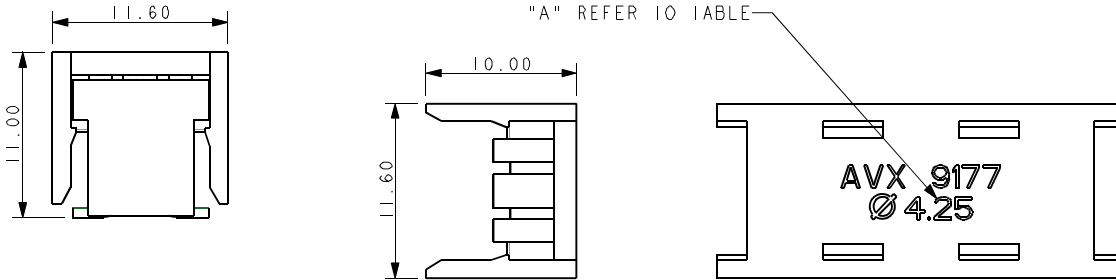
NOTES:

- CAP FOR 9177 IDC WIRE TO BOARD CONNECTOR.
- THROUGH WIRE CAP CAN BE USED AT ANY POSITION ALONG WIRE.
- REFERS TO CAP, FOR WIRE MATCH TO CONNECTOR REFER TO TABLE ON SHEET
- MATERIAL: GLASS FILLED NYLON 46, FOR COLOUR REFER TO TABLE
- CAPS DESIGNED TO ACCOODATE INSULATION DIAMETERS REFER TO TABLE.
- GENERAL TOLERANCE ±0.20mm.
- PACKED IN BAGS, 400 PIECES PER BAG
- APPLICATION NOTES REFER TO ELCO SPECIFICATION 201-01-124

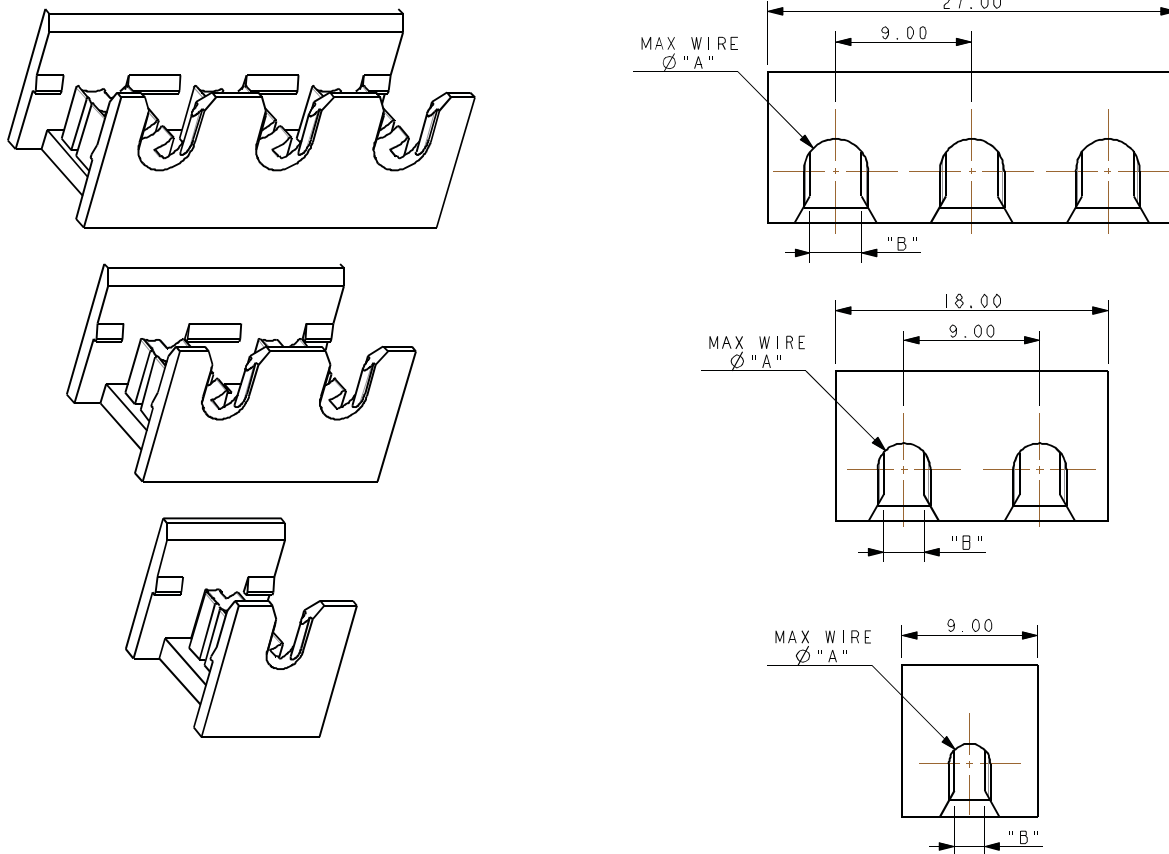
STANDARD 14-20 AWG: 00-9177

Assessory Cap - Wire Stop

ACCESSORY CAP – WIRE STOP



ASSEMBLED DIMENSIONS



NOTES:

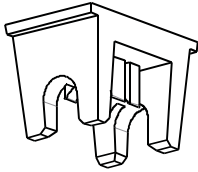
1. CAP FOR 9177 IDC WIRE TO BOARD CONNECTOR.
2. THROUGH WIRE CAP CAN BE USED AT ANY POSITION ALONG WIRE.
3. REFERS TO CAP, FOR WIRE MATCH TO CONNECTOR REFER TO TABLE ON PAGE 60.
4. MATERIAL: GLASS FILLED NYLON 46. FOR COLOR REFER TO PAGE 60.
5. CAPS DESIGNED TO ACCOMMODATE INSULATION DIAMETERS REFER TO PAGE 60.
6. GENERAL TOLERANCE $\pm 0.20\text{MM}$.
7. PACKED IN BAGS, 400 PIECES PER BAG.
8. APPLICATION NOTES REFER TO ELCO SPECIFICATION 201-01-124.

STANDARD 14-20 AWG: 00-9177

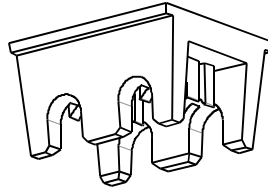
Insertion Tooling

INSERTION TOOLING – REQUIRES HAND PRESS WITH FLAT ROCK PLATES

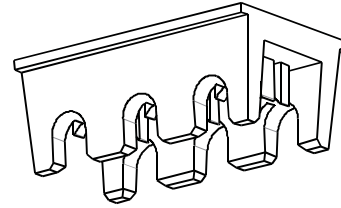
1 WAY



2 WAY



3 WAY



HIGH PRODUCTION
Metal

No. of Ways	Max Insulation Dia (AWG)	Tool Part Number
1	ø 4.25	06-9177-7017-01-001
	ø 3.50	06-9177-7017-02-001
	ø 2.75	06-9177-7017-03-001
2	ø 4.25	06-9177-7017-01-002
	ø 3.50	06-9177-7017-02-002
	ø 2.75	06-9177-7017-03-002
3	ø 4.25	06-9177-7017-01-003
	ø 3.50	06-9177-7017-02-003
	ø 2.75	06-9177-7017-03-003

MEDIUM PRODUCTION
Plastic

No. of Ways	Max Insulation Dia (AWG)	Tool Part Number
1	ø 4.25	06-9177-7016-01-001
	ø 3.50	06-9177-7016-02-001
	ø 2.75	06-9177-7016-03-001
2	ø 4.25	06-9177-7016-01-002
	ø 3.50	06-9177-7016-02-002
	ø 2.75	06-9177-7016-03-002
3	ø 4.25	06-9177-7016-01-003
	ø 3.50	06-9177-7016-02-003
	ø 2.75	06-9177-7016-03-003

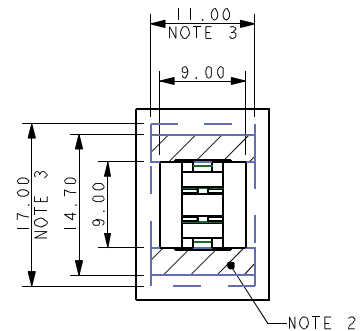
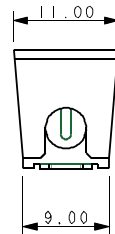
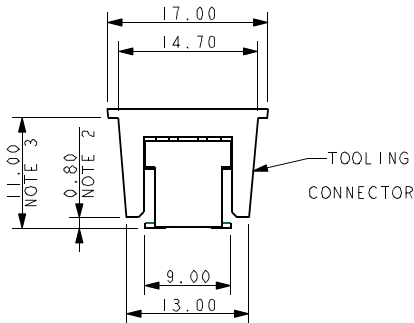
The assembly tooling restricts the available space/component heights on the PCB.
For details see below.

NOTES:

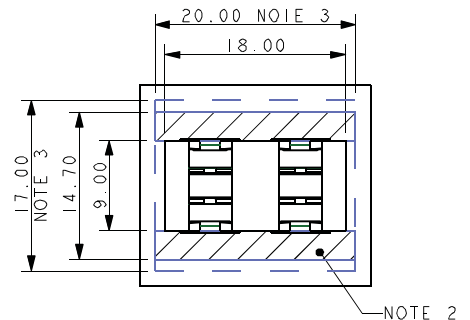
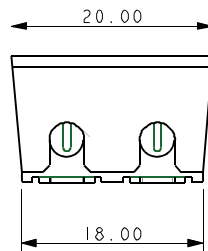
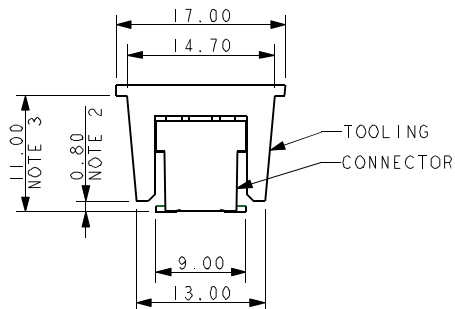
1. ALL DIMENSIONS FOR REFERENCE DIMENSIONS.
2. MAXIMUM COMPONENT HEIGHT 0.80MM IN THIS AREA.
3. MAXIMUM COMPONENT HEIGHT 11.00 MM IN THIS AREA.
4. THE SAME RESTRICTIONS APPLY TO ALL WIRE INSULATION DIAMETERS.

INSERTION TOOLING – PCB RESTRICTED AREAS FOR ASSEMBLY TOOLING

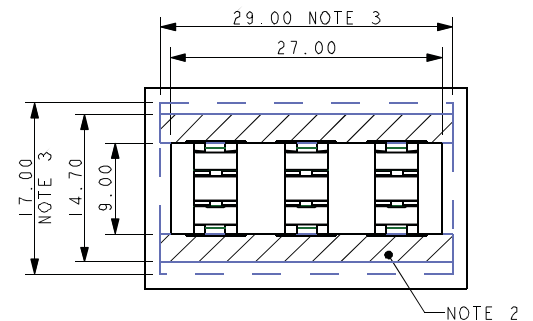
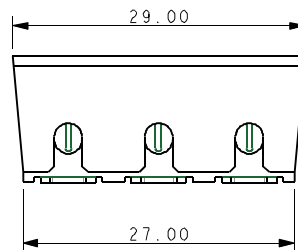
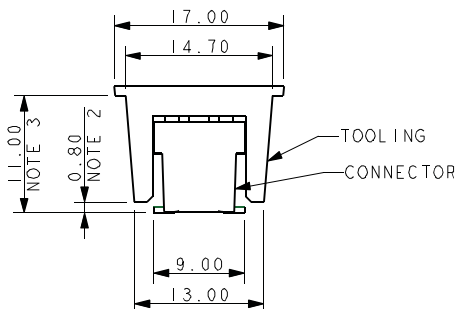
1 WAY



2 WAY



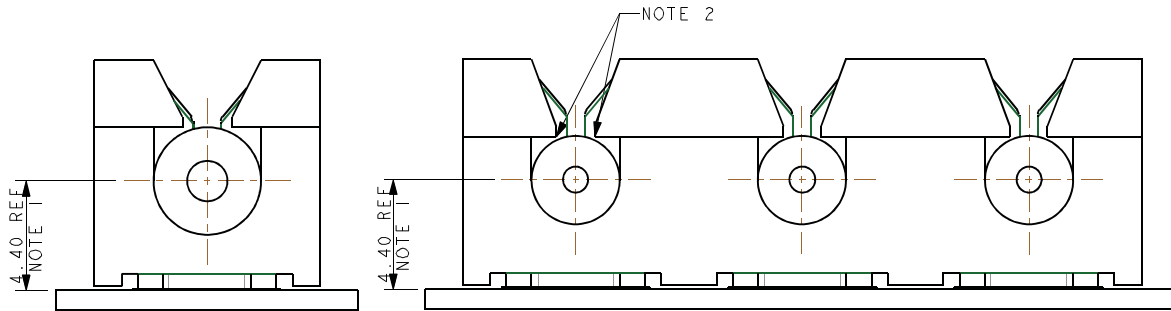
3 WAY



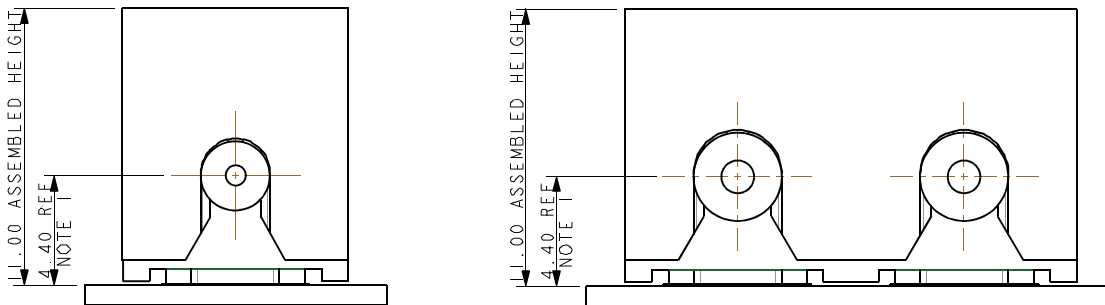
STANDARD 14-20 AWG: 00-9177

Assembled Connector

STANDARD CONNECTOR



CONNECTOR WITH CAP



NOTES:

1. ASSEMBLED HEIGHTS INCLUDE 0.10mm ALLOWANCE FOR PAD AND SOLDER THICKNESS, NO ALLOWANCE HAS BEEN MADE FOR ANY SOLDER RESIST OR OTHER FEATURES.
2. WHEN THE WIRE IS ASSEMBLED THE INSULATION SHOULD BE TRAPPED BY THESE EDGES.

Mouser Electronics

Authorized Distributor

Click to View Pricing, Inventory, Delivery & Lifecycle Information:

[Kyocera AVX:](#)

[009179002011906](#) [009179002022906](#) [009179002023906](#) [009179002024906](#) [009179002033906](#)
[009179002034906](#) [609177001526100](#) [609177001531100](#) [009179002044906](#) [009179002012906](#) [009179002013906](#)
[009179002014906](#) [609177001519100](#) [609177001522100](#)