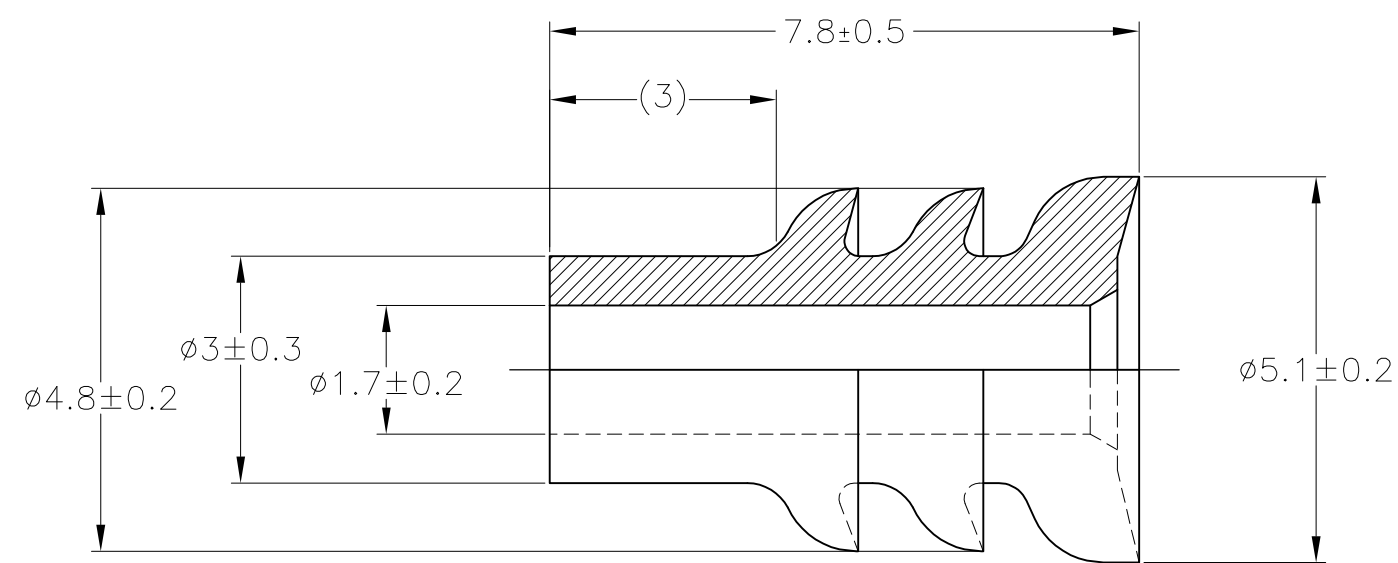

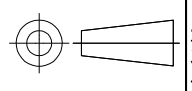


THIS DRAWING IS UNPUBLISHED. RELEASED FOR PUBLICATION JUN,2014 . - .
 © COPYRIGHT 2014 By Tyco Electronics Japan G.K. ALL RIGHTS RESERVED.

LOC	DIST	REVISIONS 変更					
J		P	LTR	DESCRIPTION	DATE	DWN	APVD
			A1	REVISED	ECR-14-018935	18DEC14	DM TK



- ① オイル塗布タイプ
- ② 材料; NBR フタル酸フリー
- ① OIL COATED TYPE
- ② MATERIAL; NBR NON-BIS TYPE

WIRE RANGE 0.5~1.25mm ² (AWG#20-#16)		INSULATION DIA. φ2~φ2.6mm		NBR ②	黒色 (BLACK)	2822354-2		
				NBR ①②	黒色 (BLACK)	2822354-1		
				MATERIAL	COLOR	PART NUMBER		
THIS DRAWING IS A CONTROLLED DOCUMENT.				 TE Connectivity 070 TYPE RUBBER PLUG				
DIMENSIONS: 単位: 耗 mm		TOLERANCES UNLESS OTHERWISE SPECIFIED: 一般公差					NAME 名称	
		0 PLC ± - 1 PLC ± - 2 PLC ± - 3 PLC ± - 4 PLC ± - ANGLES ± -					DWN D.MATSUURA 06AUG2014 CHK S.IWATANI 06AUG2014 APVD T.KOHNO 06AUG2014	
		MATERIAL 材料 SEE TABLE					FINISH 仕上 -	
		PRODUCT SPEC 製品規格 108-5262 108-5179		SIZE				
		APPLICATION SPEC 取付適用規格 -		CAGE CODE				
		WEIGHT 0.1 g		DRAWING NO 番号 A300779 C-2822354				
		CUSTOMER DRAWING		RESTRICTED TO -				
		SCALE 尺度 10:1		SHEET 1 OF 1				
				REV A1				

Mouser Electronics

Authorized Distributor

Click to View Pricing, Inventory, Delivery & Lifecycle Information:

[TE Connectivity:](#)

[2822354-1](#)