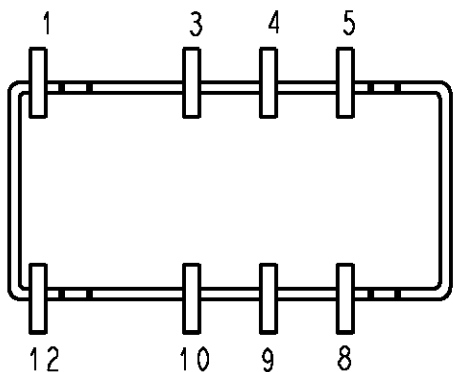
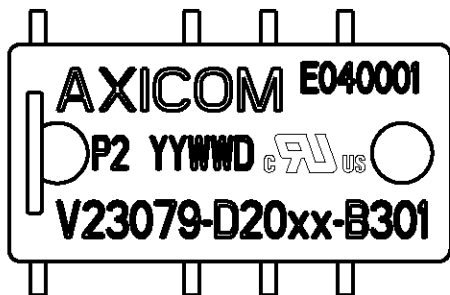
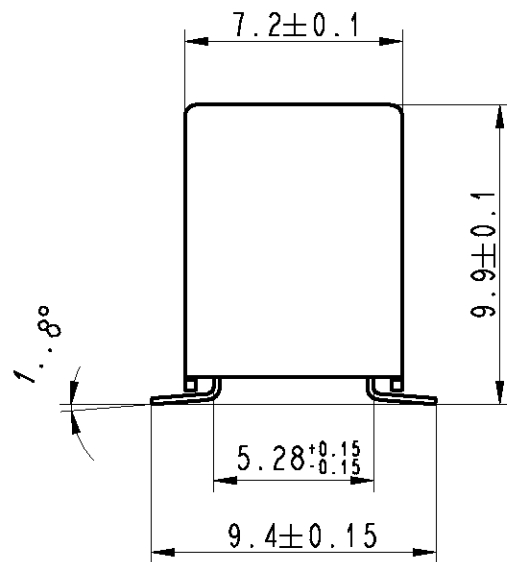
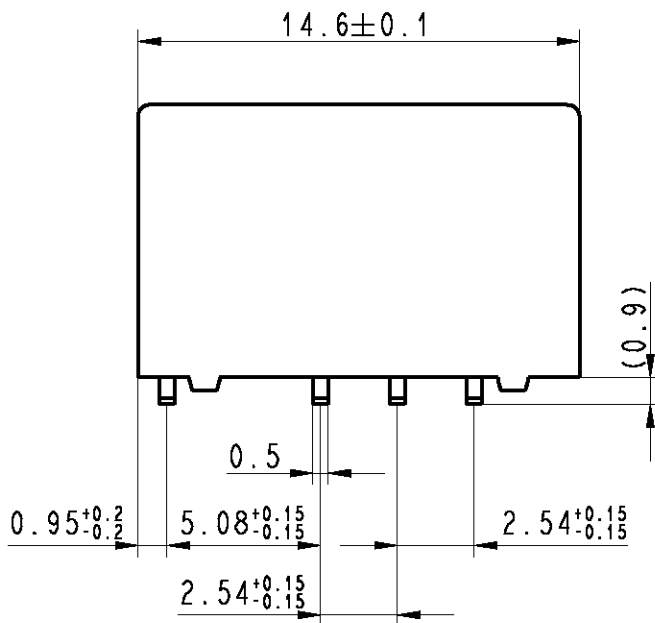


LOC	DIST	REVISIONS					
		P	LTR	DESCRIPTION	DATE	DWN	APVD
HJ	-		C2	REVISED PER ECO-11-005150	25MAR11	RK	HMR



Relay - bottom view



xx = Relay type
YYWWD = Date code

DRAWING ALIAS C23303-A079-A004

RELEASED FOR PUBLICATION

ALL RIGHTS RESERVED.

THIS DRAWING IS UNPUBLISHED.

BY -
© COPYRIGHT

DIMENSIONS: mm TOLERANCES UNLESS OTHERWISE SPECIFIED: DIN 7168-m 0 PLC ±- 1 PLC ± 2 PLC ± 3 PLC ± 4 PLC ± ANGLES ±-	DWN Korytak 02Jun2004 CHK Korytak 02Jun2004 APVD Korytak 02Jun2004	MATERIAL -	FINISH -
	PRODUCT SPEC - APPLICATION SPEC - WEIGHT -	TE Connectivity	
CUSTOMER DRAWING		NAME P2-Relay SMT W Dimensions SIZE A4 CAGE CODE 00779 DRAWING NO C-1393789-4 RESTRICTED TO -	
SCALE 4:1 SHEET 1 OF 1 REV C2			