

2J6024B

CELLULAR/LTE Screw Mount

Key Features

Cable 1: CELLULAR / LTE

- 698-960 MHz
- 1710-2170 MHz
- 2500-2700 MHz

Screw Mount

Low Profile

Ground Plane Independent

Customizable Cable and Connector

Dimensions 80 x 74 x 14.7 mm

Certificates: IP67



Note: 19mm Thread is Default Option. See Drawing for other Thread Options available.



1. Antenna and electrical specifications

Cable 1

Parameters	CELLULAR / LTE Antenna		
Standards	2G,3G and 4G		
Band (MHz)	700/850/900	1700/1800/1900/2100	2600
Frequency (MHz)	698-960	1710-2170	2500-2700
Return Loss (dB)	~-11.6	~-8.7	~-18.4
VSWR	~1.9:1	~2.2:1	~1.3:1
Efficiency (%)	~37.9	~35.1	~42.3
Peak Gain (dBi)	~1.8	~3.5	~4.4
Average Gain (dB)	~-4.3	~-4.6	~-3.8
Impedance (Ohm)	50		
Polarisation	Linear		
Radiation Pattern	Omni-Directional		
Max. Input Power (W)	25		
Connector Type	SMA-Male Standard (Other Connectors Available)		
Cable Length	300 cm Standard (Any Cable Length Available)		
Cable Type	DACAR302 Standard (Other Cables Available)		

Antenna Measurement Conditions:

Mounted on 30 x 30 x 0.25 cm ABS Plate

200 cm of Cable DACAR302

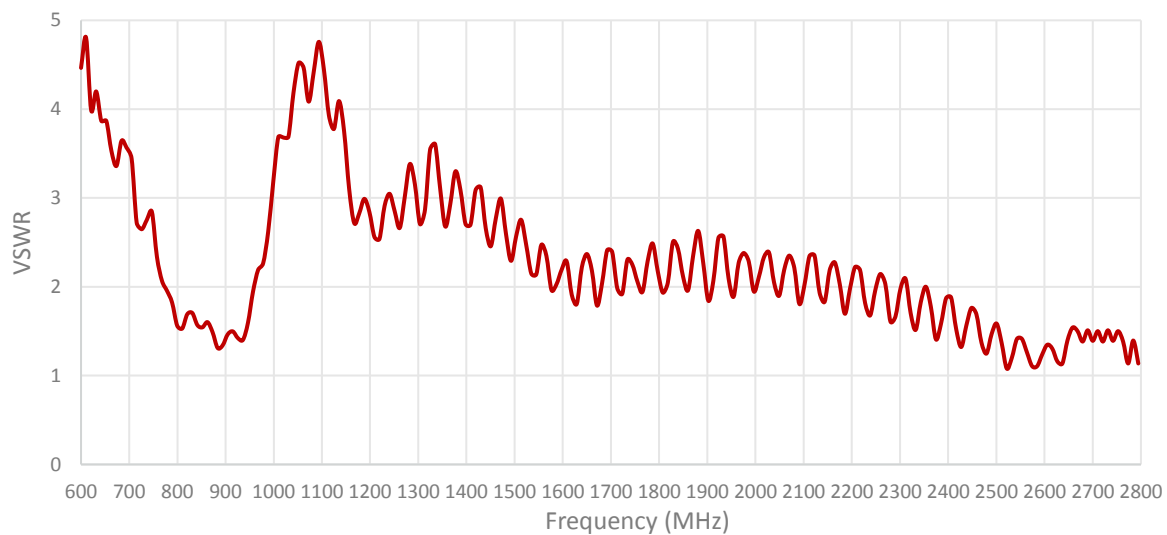
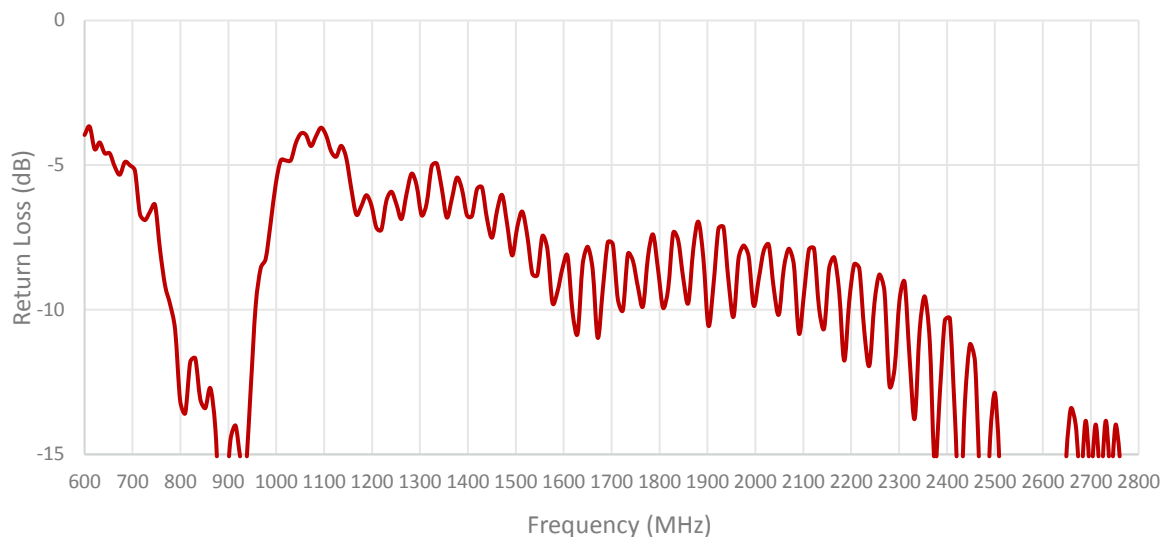
Measured in Certified CTIA 3D Anechoic Chamber

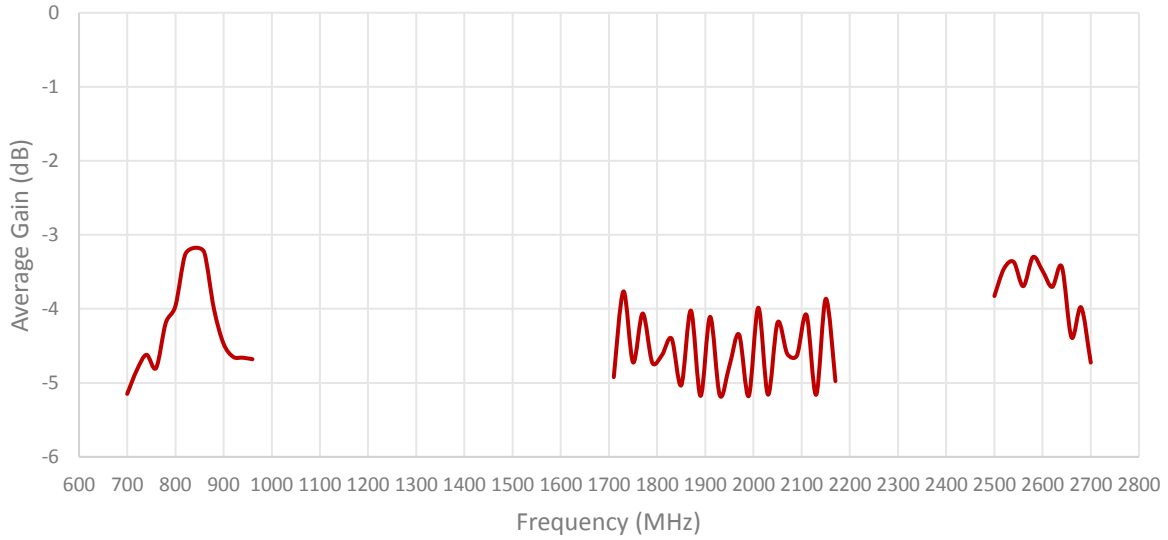
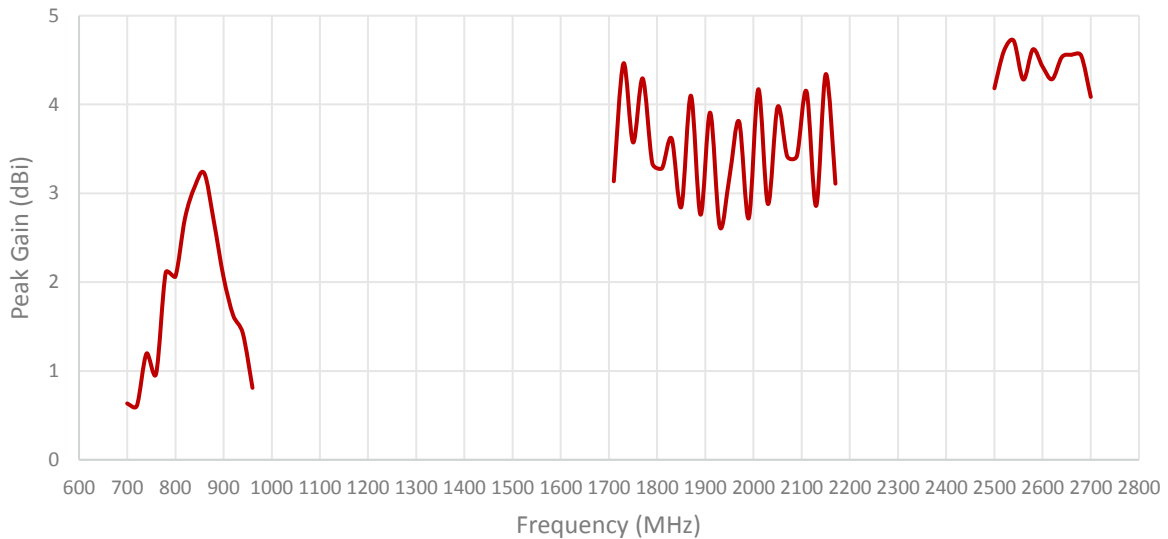
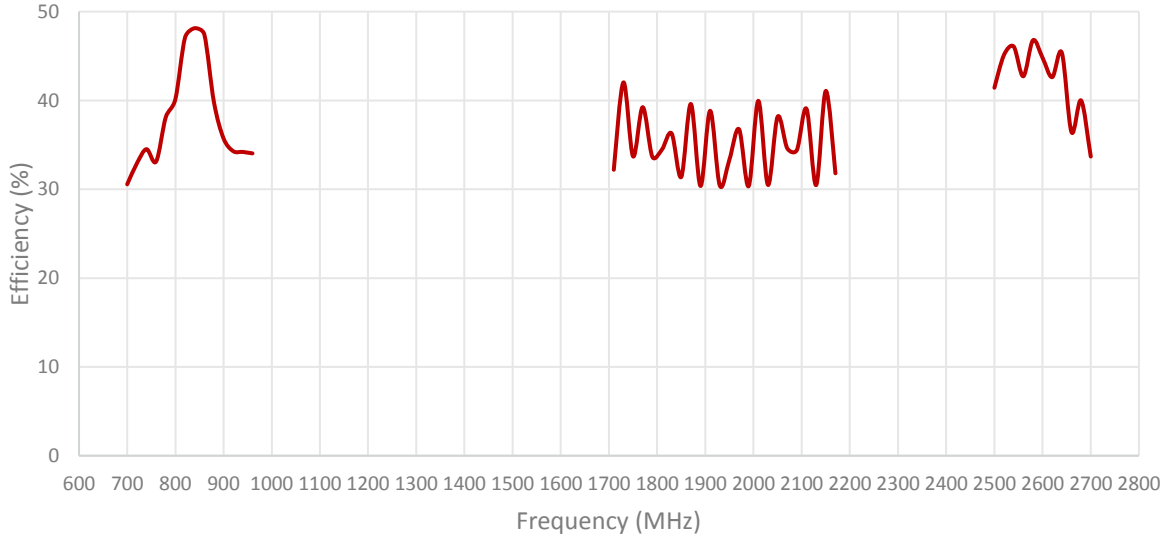
2. Mechanical and environmental specifications

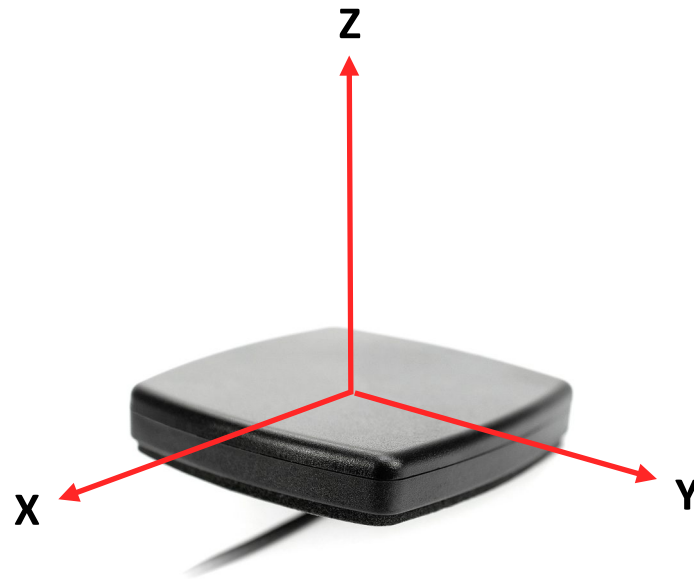
Specifications	2J6024B
Mounting Type	Screw Mount
Dimensions (mm)	80 x 74 x 14.7
Max. Tighten Torque (Nm)	5 Nm
Radome	ABS
Radome color	Black
Operating Temperature (C)	-40 to +85
Storage Temperature (C)	-40 to +85
Substance Compliance	RoHS
Certificates	IP67

3. Antenna parameters

Cable 1: CELLULAR/LTE

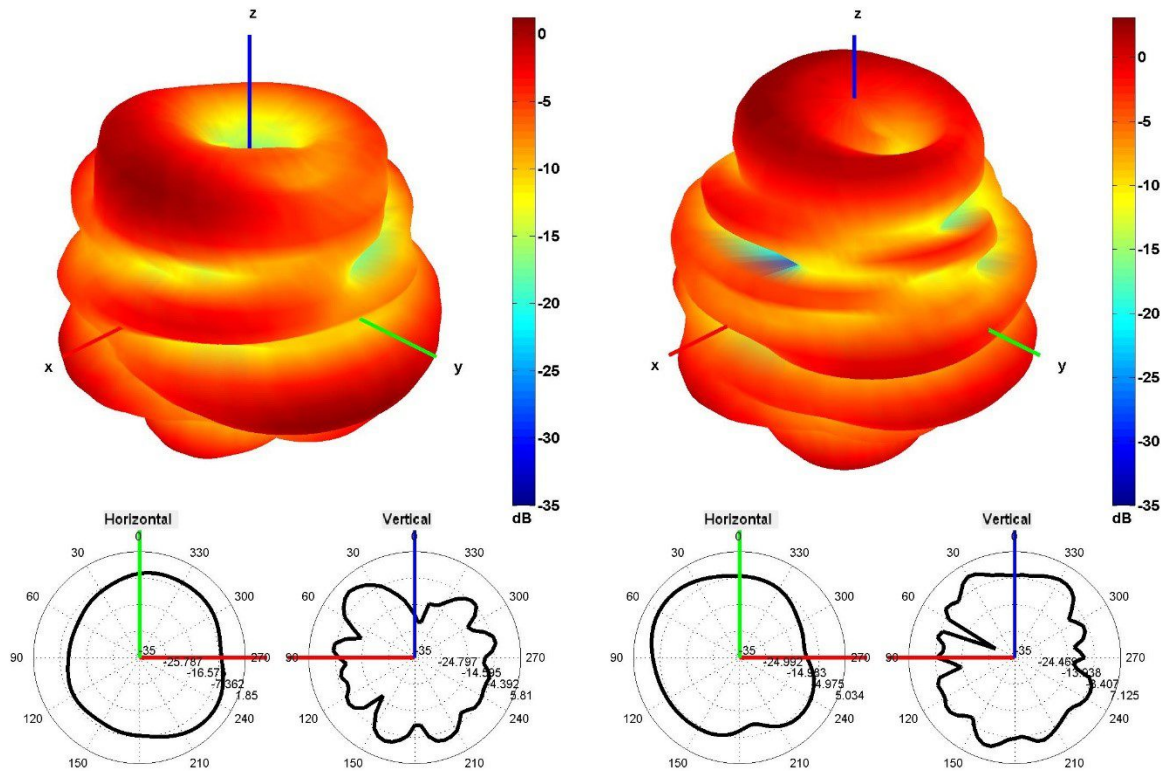




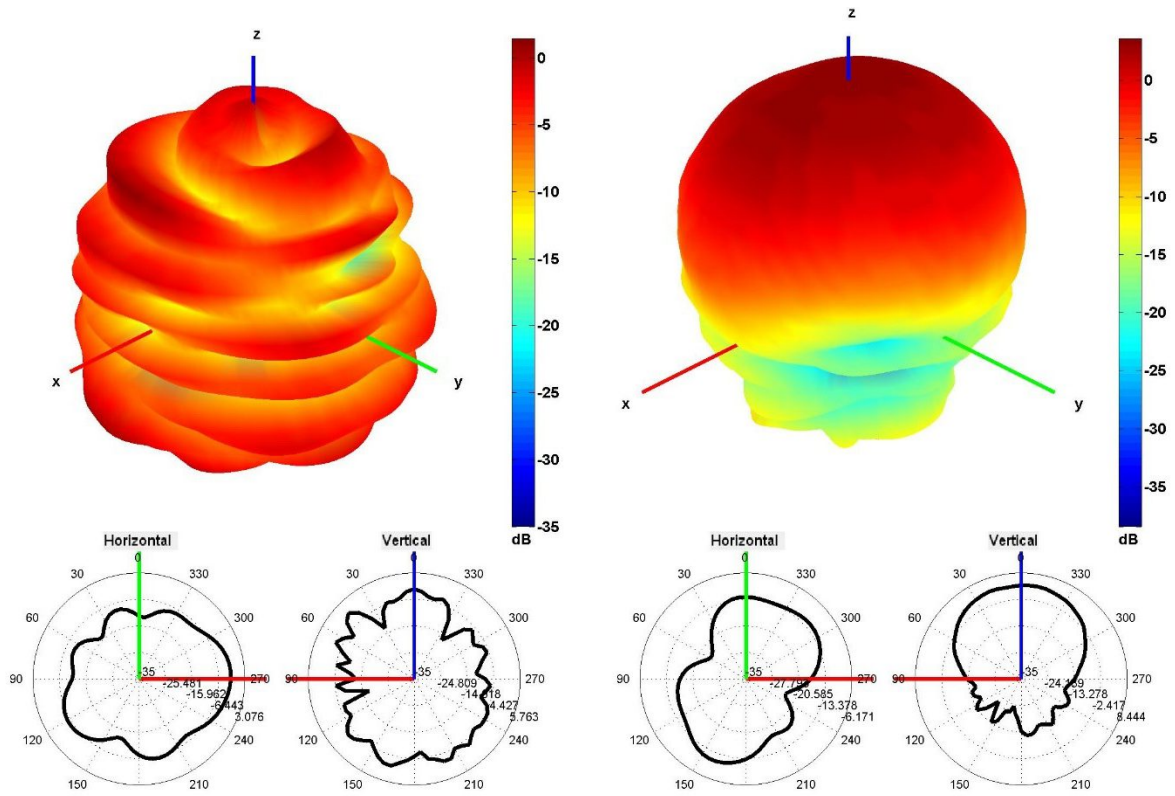


Radiation pattern reference

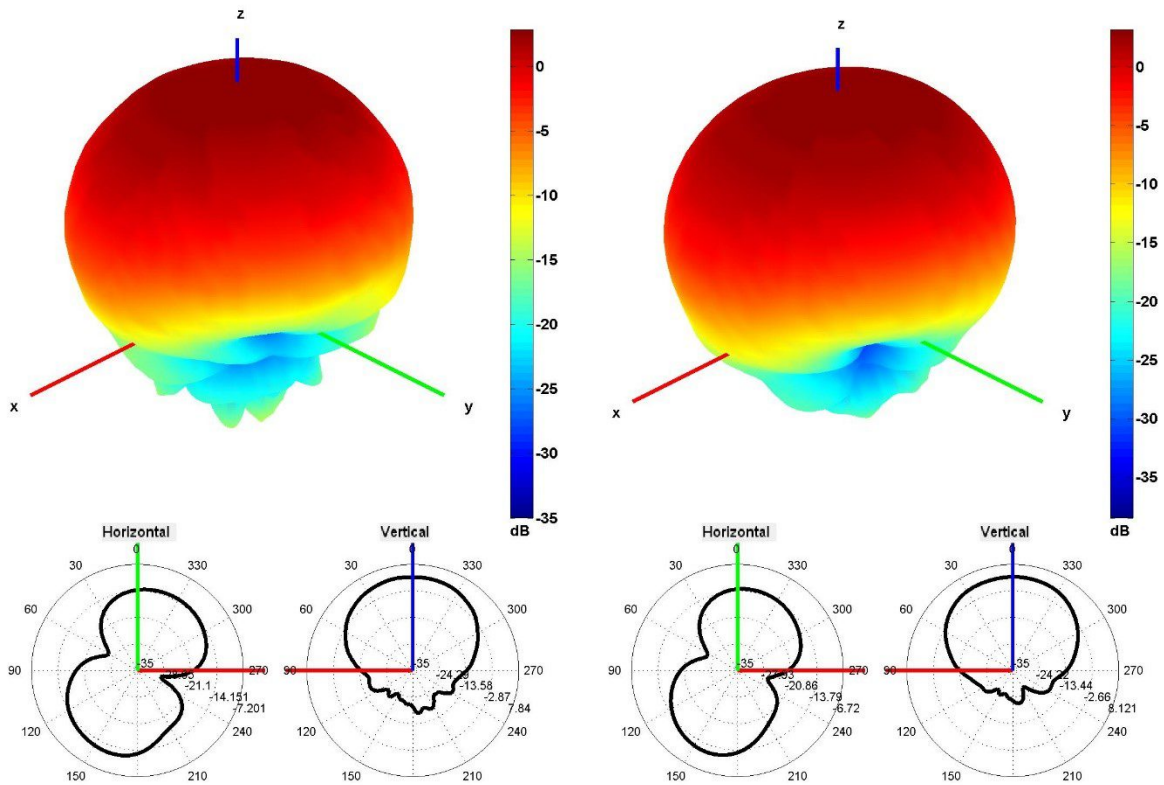
Cable 1: CELLULAR/LTE



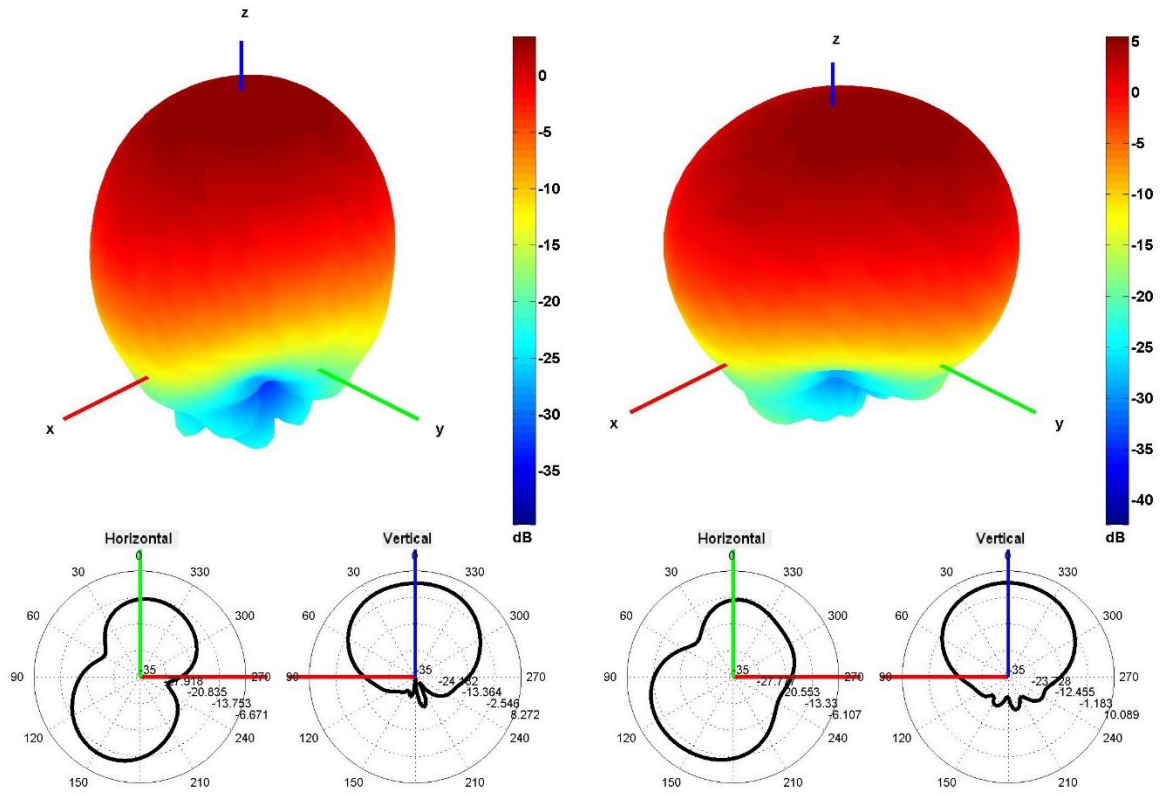
750 and 850 MHz Radiation pattern



940 and 1750 MHz Radiation pattern



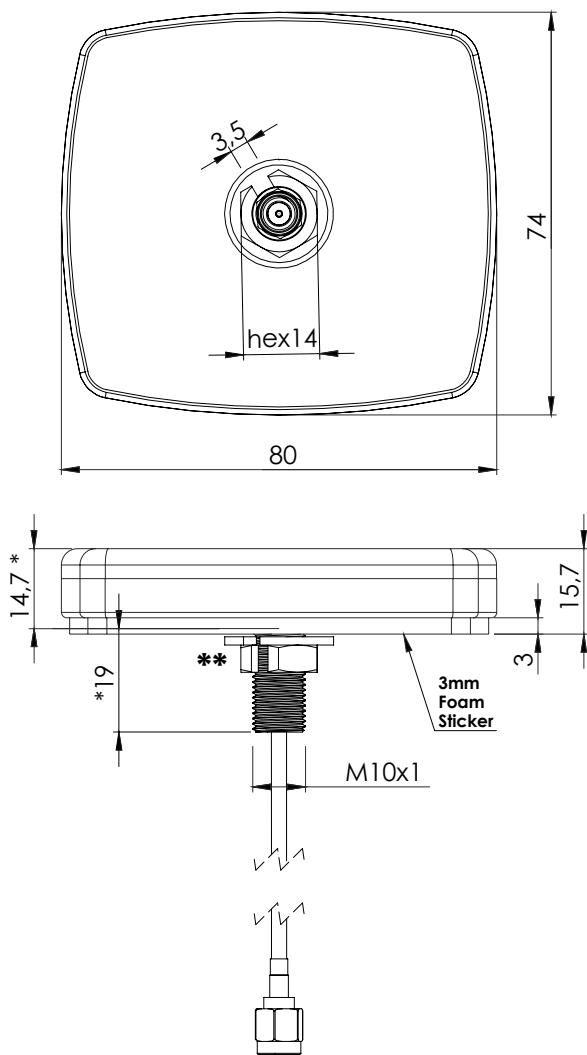
1850 and 1950 MHz Radiation pattern



2100 and 2600 MHz Radiation pattern

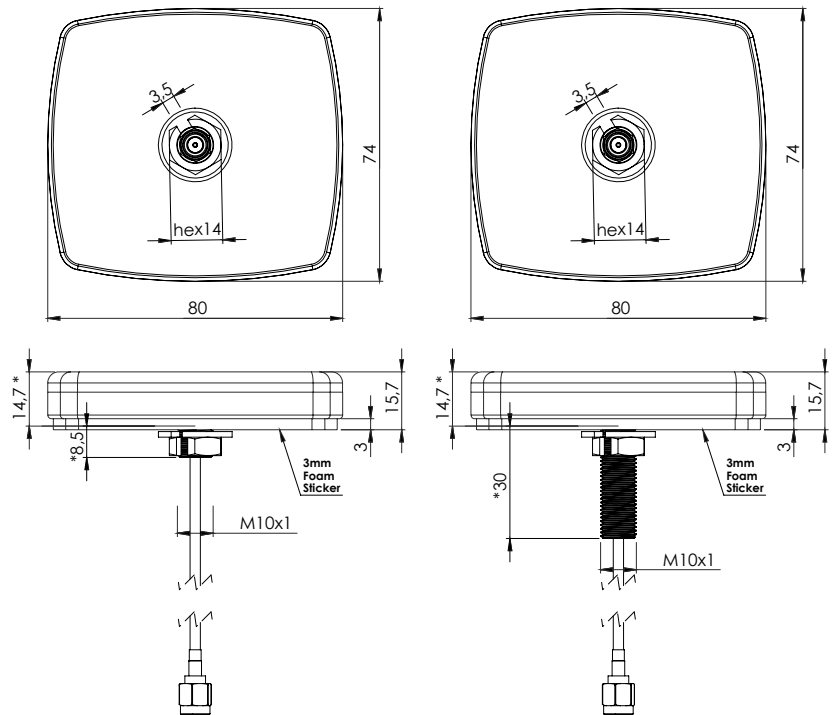
4. Antenna drawings

Default Thread Option



2J6024B-TH19
19 mm Thread
Default Option

Other Thread Options available



2J6024B-TH8,5
8,5 mm Thread

2J6024B-TH30
30 mm Thread

***Dimensions after mounting**
****Max. Torque= 5 Nm**

5. Antenna Images

