

PWM and Tach Output Brushless DC Fan 04028DA-12T (N-Type)

NMB

General Specifications

Motor Type:

DC Brushless Three Phase Motor

Motor Protection:

Auto Restart / Polarity Protection (Motor withstands reverse connection for positive and negative leads.)

Insulation Resistance:

10MΩ or over with a DC 500V Megger

Dielectric Withstand Voltage:

AC 700V 1sec or 500V 1min

Allowable Ambient Temperature Range:

-10°C ~ + 70°C (Operating)

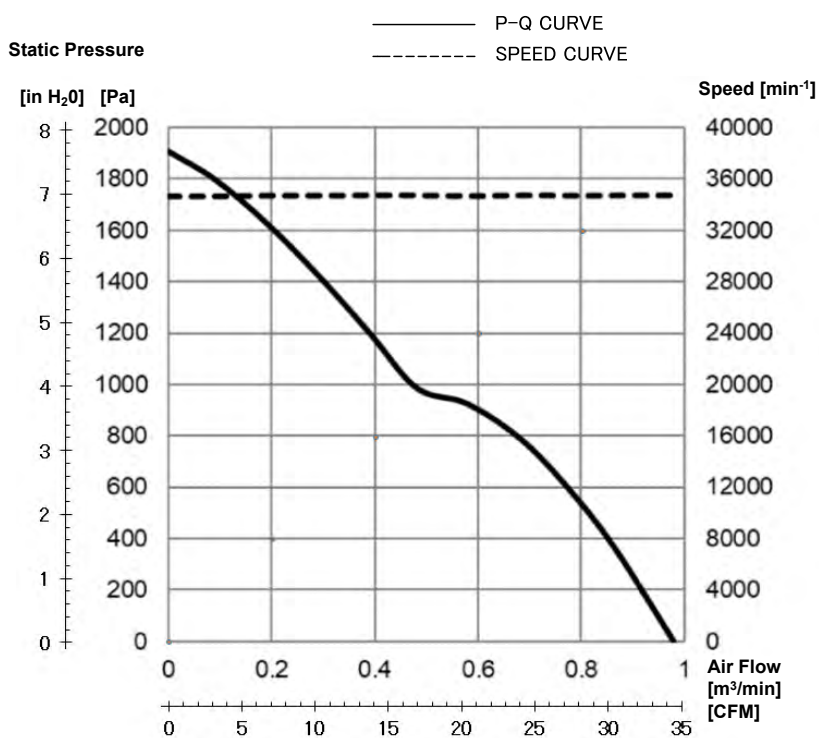
-40°C ~ + 70°C (Storage)

(non-condensing environment)



*This photo is for reference only. Please refer to fan outline for details

Characteristic Curves



Features

- High performance, four wire, PWM fan with Tach signal
- Efficient motor technology, high torque and aerodynamic impeller design
- Energy saving, low vibration, and increased life expectancy
Available in 12 volts
- Outfitted with NMB precision machined ball bearings for long life
- Three phase motor design for high speed and cooling

Life Expectancy L10

70,000 Hours at 40°C

*Fan life expectation is based on free air operation at 40°C, rated voltage, and indoor benign lab environment

*1: Values in Free Air

Specifications

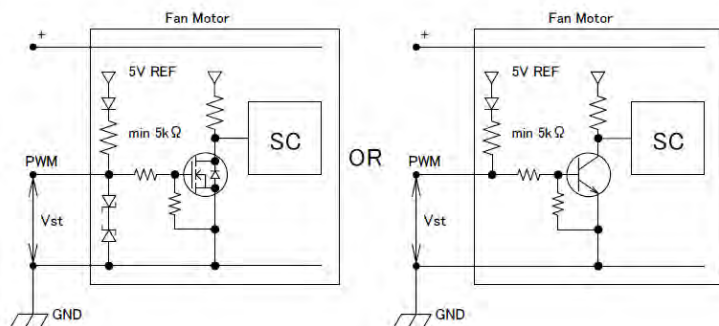
MODEL	Rating Voltage (V)	Operating Voltage (V)	Current		Input Power		Speed (min ⁻¹)*1	Max. Air Flow		Max. Static Pressure		Noise (dB)*1	Mass (g)
			Avg (A)*1	Max (A)*1	Avg (W)*1	Max (W)*1		(CFM)	(m ³ /min)	(in H ₂ O)	(Pa)		
04028DA-12T-A6N-E	12	10.8 to 12.6	2.5	3.3	30.0	39.6	34500	34.6	.98	7.6	1900	69.5	54.0

PWM and Tach Output Brushless DC Fan 04028DA-12T (N-type)

NMB

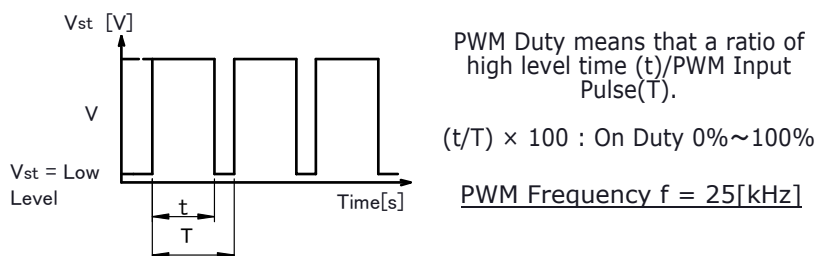
PWM Specifications

Connection



1. PWM Control
 $V_{st} = \text{Low Level (0V} \sim \text{0.4V)} \rightarrow \text{Stop (On Duty 0\%)}$
 $V_{st} = \text{High Level (4.0V} \sim \text{5.0V)} \rightarrow \text{Full Speed (On Duty 100\%)}$
 $V_{st} = \text{Open} \rightarrow \text{Full Speed}$

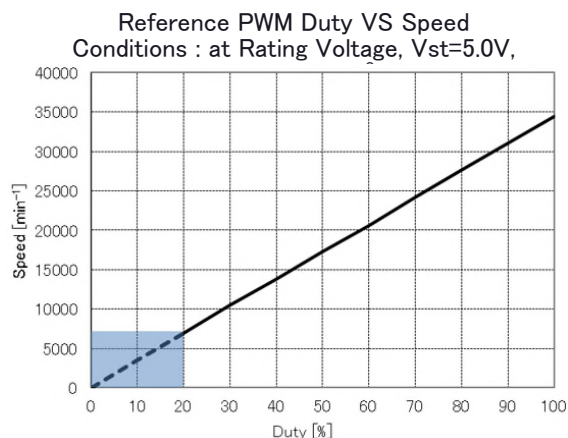
2. PWM Duty & PWM Input Pulse



3. The condition for PWM control are as follows

- When you use this under PWM control, always be sure the motor's operation under practical mounting state. Fan motor may not start up caused by PWM control at very low speed condition.)
- To run at Rating Voltage
- Please use the start with Duty 20% or more at 25kHz.[At rated voltage input, Ambient temperature 25°C]

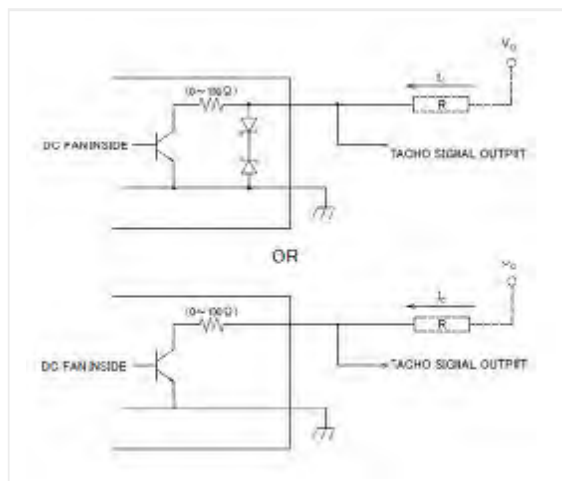
PWM Characteristic Curve



TACHO Specifications

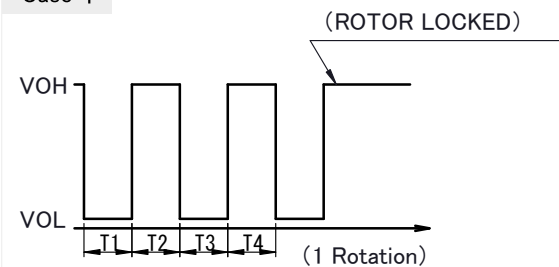
Tachometer Signal

1. Output Circuit: Open Drain
2. Specification
Absolute Maximum Ratings at $T_a=25^\circ\text{C}$
 $V_{D5max} : +15V$
 $I_{Dmax} : 5mA[V_{CE(sat)max}=1.5V]$

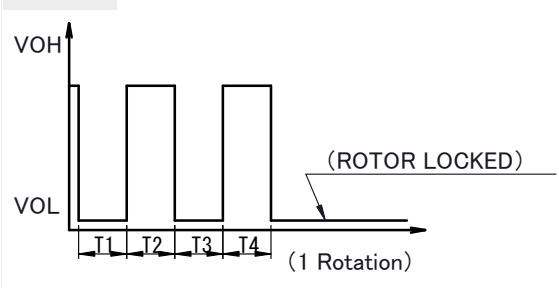


3. Output Waveform: At Rated Voltage Output Signal Voltage

Case-1



Case-2



- 1) When the rotor is locked at VOH position of signal, signal keeps VOH position.
- 2) When the rotor is locked at VOL position of signal, signal keeps VOL position.
- 3) $T=T1+T2+T3+T4=60/m=1 \text{ rotation}$

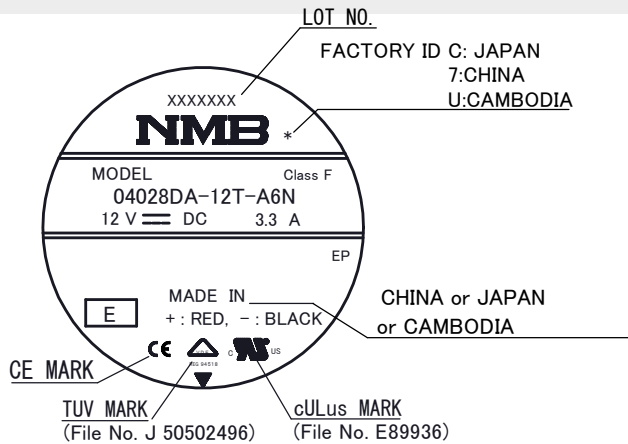
m: Fan Speed (min^{-1})

Tacho Duty Cycle= $50\% \pm 10\%$

04028DA-12T (N-type)

Outlines

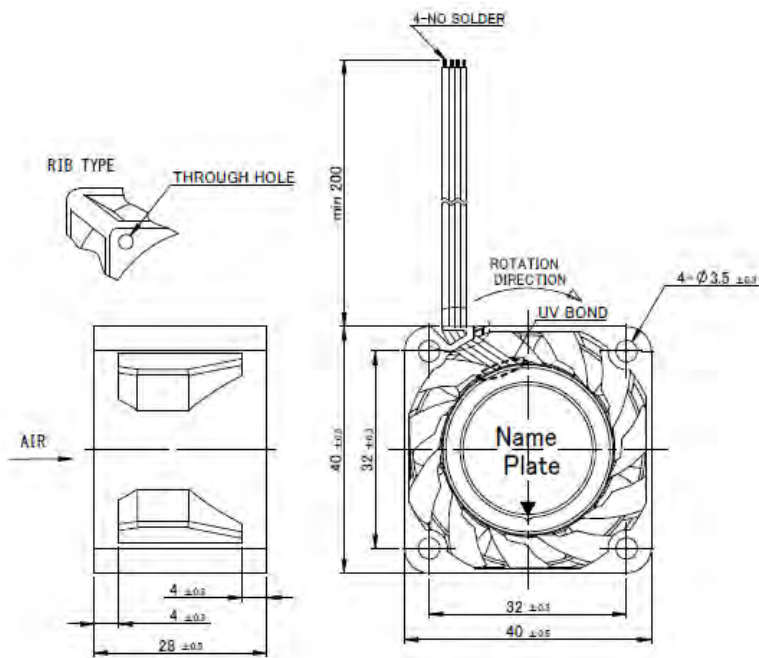
(Name Plate)



Materials

Casing: Plastic (Black UL94V-0)
Impeller: Plastic (Black UL94V-0)
Bearing: Ball Bearing
Lead Wire: (+): Red (-) Black
 Tacho: White PWM: Brown
 UL10368 AWG26 or Equivalent

(Outline)



(Panel Out-line)

