



## Certifications & Ratings

- RoHS Compliant
- Watertight to Mil-L-3661B spec

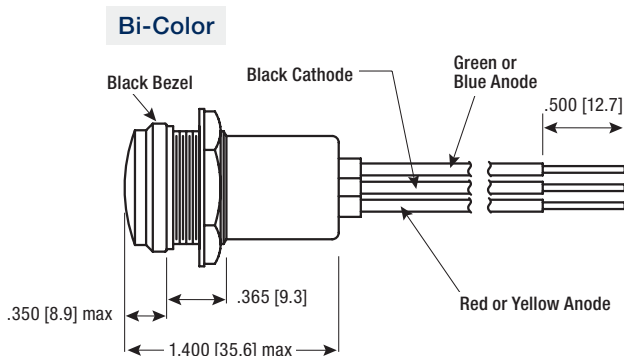
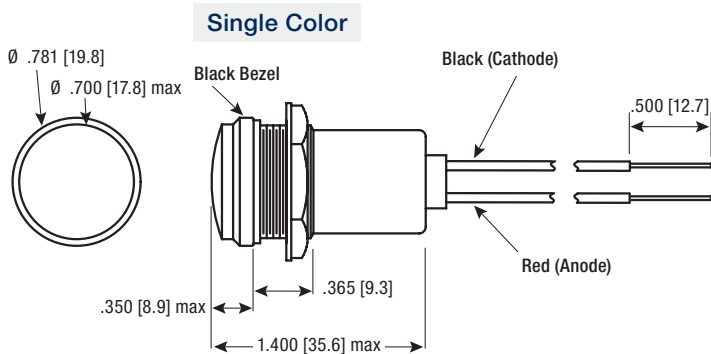
## Application

The 557 Series LED Panel Mount Indicators incorporate both InGaN and AlInGaP technologies to offer higher intensities. This is a highly durable package, designed to withstand outdoor applications susceptible to rain, dust, and sunlight.

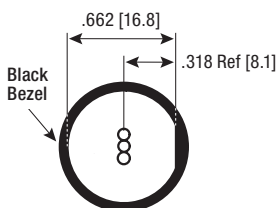
- Instrument panels
- Safety applications
- Transportation—rail, bus, airline
- Vending, gaming
- Lane control
- ... and many more!

## Dimensions

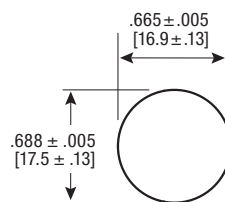
inches [mm]



### Back View of Housing



### Recommended Mounting Hole



## Mechanical information

**Mounting Hole Size:** 0.687" (17.46 mm)

**Max Panel Thickness:** 0.156" (3.96 mm)

**Mounting Torque:** 15 in-lbs torque

## Specifications

**Voltage Options:** 5, 12, 24, and 28VDC (bi-color: 5VDC)

**Operating Temp:** -25°C to +85°C  
(bi-color: -30°C to +80°C)

**Storage Temp:** -30°C to +100°C  
(bi-color: -40°C to +85°C)

**Electrical Connection:** 24 AWG Wire Leads

**Housing:** White Polycarbonate

**Lens Material:** Transparent Polycarbonate (UL 94V-0)

**Wire Leads:** 5.5"

**Lock Washer:** Phosphor Bronze—White Nickel Plated

**Nut:** Brass—White Nickel Plated

## Ordering Information 557 Series

| Part Number Guide |   |   |   | RoHS Compliant |       |   |   |    |      |                           |
|-------------------|---|---|---|----------------|-------|---|---|----|------|---------------------------|
| 5                 | 5 | 7 | - | 1              | X X X | - | 2 | 0  | 3    | F                         |
| Color             |   |   |   | Voltage        |       |   |   |    |      |                           |
| ○ White           | 0 | 0 |   |                |       |   | 2 | 5  | VDC  |                           |
| ● Red             | 5 | 0 |   |                |       |   | 3 | 12 | VDC* |                           |
| ● Green           | 6 | 0 |   |                |       |   | 4 | 24 | VDC* |                           |
| ● Yellow          | 7 | 0 |   |                |       |   | 5 | 28 | VDC* |                           |
| ● Blue            | 8 | 0 |   |                |       |   |   |    |      |                           |
| ●● Red/Green      | 4 | 1 |   |                |       |   |   |    |      |                           |
| ●● Red/Blue       | 4 | 2 |   |                |       |   |   |    |      | <i>*single color only</i> |
| ●● Yellow/Green   | 4 | 3 |   |                |       |   |   |    |      |                           |
| ●● Yellow/Blue    | 4 | 4 |   |                |       |   |   |    |      |                           |
| ●● Yellow/Red     | 4 | 5 |   |                |       |   |   |    |      |                           |

| Part Number   | Color           | Voltage (VDC) | Current (mA) | Typical Intensity (mcd) |      |
|---------------|-----------------|---------------|--------------|-------------------------|------|
| 557-1002-203F | ○ White         | 5             | 16           | 5350                    |      |
| 557-1502-203F | ● Red           |               | 80           | 800                     |      |
| 557-1602-203F | ● Green         |               | 16           | 4900                    |      |
| 557-1702-203F | ● Yellow        |               | 80           | 1550                    |      |
| 557-1802-203F | ● Blue          |               | 16           | 1200                    |      |
| 557-1412-203F | ●● Red/Green    |               | 70/16        | 720/1800                |      |
| 557-1422-203F | ●● Red/Blue     |               | 70/16        | 625/425                 |      |
| 557-1432-203F | ●● Yellow/Green |               | 70/16        | 585/1700                |      |
| 557-1442-203F | ●● Yellow/Blue  |               | 70/16        | 635/445                 |      |
| 557-1452-203F | ●● Yellow/Red   |               | 70/20        | 650/350                 |      |
| 557-1003-203F | ○ White         |               | 12           | 16                      | 5350 |
| 557-1503-203F | ● Red           |               |              | 20                      | 800  |
| 557-1603-203F | ● Green         | 16            |              | 4900                    |      |
| 557-1703-203F | ● Yellow        | 20            |              | 1550                    |      |
| 557-1803-203F | ● Blue          | 16            |              | 1200                    |      |
| 557-1005-203F | ○ White         | 24            | 16           | 5350                    |      |
| 557-1505-203F | ● Red           |               | 20           | 800                     |      |
| 557-1605-203F | ● Green         |               | 16           | 4900                    |      |
| 557-1705-203F | ● Yellow        |               | 20           | 1550                    |      |
| 557-1805-203F | ● Blue          |               | 16           | 1200                    |      |
| 557-1604-203F | ● Green         | 28            | 16           | 4900                    |      |
| 557-1704-203F | ● Yellow        |               | 20           | 1550                    |      |
| 557-1804-203F | ● Blue          |               | 16           | 1200                    |      |

Dialight reserves the right to make changes at any time in order to supply the best product possible. The most current version of this document will always be available at: [www.dialightsignalsandcomponents.com](http://www.dialightsignalsandcomponents.com)

**Warranty Statement:** Except for the warranty expressly provided for [herein/above/below], Dialight disclaims any and all other warranties, express or implied, including, without limitation, any warranties of merchantability, fitness for a particular purpose, title, and noninfringement.