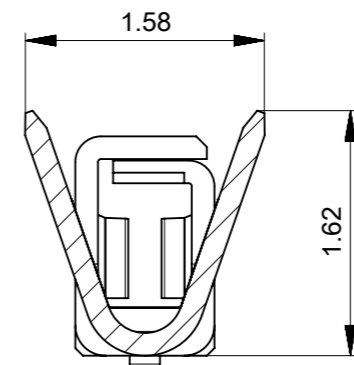
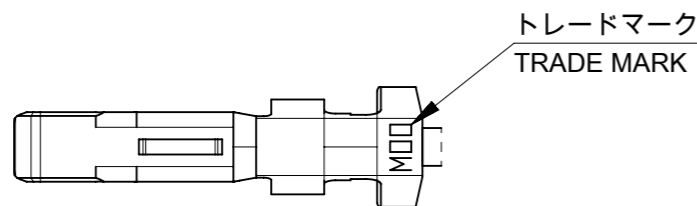
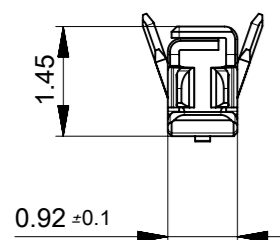
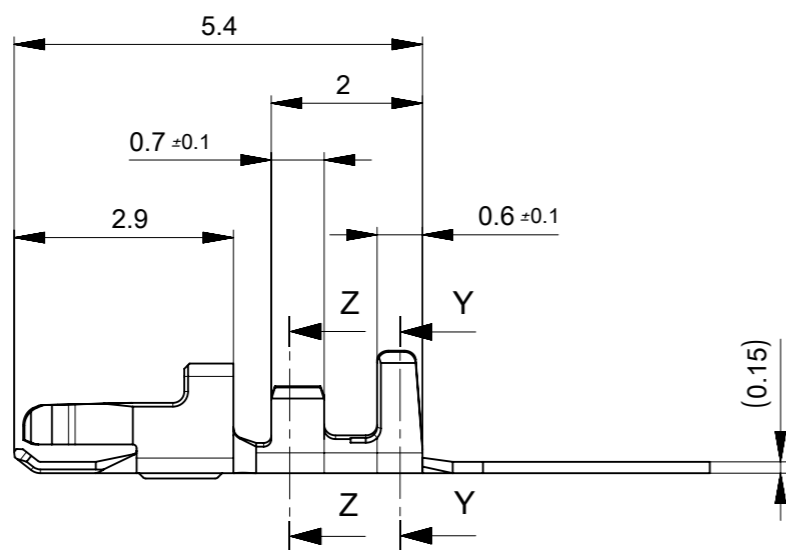
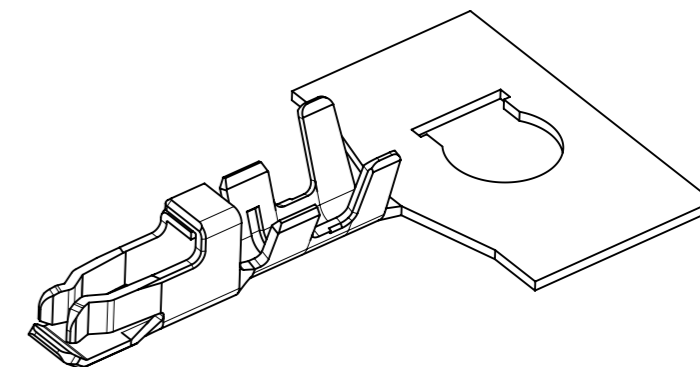


SECTION Z-Z



SECTION Y-Y



注記 NOTES

- 1 材料及び仕上げ(めっき仕様) : TABLE1参照
MATERIAL AND FINISHED(PLATING SPECIFICATION) : SEE TABLE 1
- 2 製品仕様書、コネクタ取扱説明書、適用ハウジング、適用嵌合相手についてはSHEET2をご参照ください。
PLEASE REFER TO SHEET 2 FOR PRODUCT SPECIFICATION, APPLICATION SPECIFICATION APPLICABLE HOUSING, MATE WITH.
- 3 本製品は金めっき品である。錫めっき品は5054311000-SD PSD 000をご参照ください。
THIS PRODUCT IS A GOLD PLATING. PLEASE REFER TO 5054311000-SD PSD 000 FOR TIN PLATING.
- 4 発注番号
ORDER NO.

505431 1*00

番号 NO.	接点部 金めっき厚 CONTACT GOLD PLATING THICKNESS [MICROMETER MINIMUM]
1	0.1
2	0.38
3	0.76

TABLE 1

材質及び仕上げ(めっき仕様) MATERIAL AND FINISHED (PLATING SPECIFICATION)	
銅合金 COPPER ALLOY	
接点部 : 金めっき めっき厚は注記4参照 CONTACT : GOLD PLATING PLATING THICKNESS : SEE NOTE4.	
ニッケルめっき(下地) : 0.5 MICROMETER MINIMUM NICKEL (UNDER PLATING)	
DOCUMENT STATUS	P1
RELEASE DATE	2020/01/21 07:57:34

Φ0.78-1.02mm	AWG#26-30 MM ² : 0.049-0.136	リール REEL	連鎖状 CHAIN	5054311*00
絶縁被覆外径 INSULATION DIAMETER	適用電線範囲 WIRE RANGE	梱包形態 PACKAGING	端子形状 FORM	発注番号 ORDER NUMBER

THIS DRAWING CONTAINS INFORMATION THAT IS PROPRIETARY TO MOLEX ELECTRONIC TECHNOLOGIES, LLC AND SHOULD NOT BE USED WITHOUT WRITTEN PERMISSION		CURRENT REV DESC: REVISED		molex	
DIMENSION UNITS	SCALE	EC NO: 630688			
mm	NTS	DRWN: TAKAIKE 2019/08/21		MICRO-LOCK PLUS 1.25 RECEPTACLE CRIMP TERMINAL GOLD PLATING	
GENERAL TOLERANCES (UNLESS SPECIFIED)		CHK'D: SAKIYAMA 2020/01/21		PRODUCT CUSTOMER DRAWING	
ANGULAR TOL	± 3.0°	APPR: KOMURAKAMI 2020/01/21		DOCUMENT NUMBER	
4 PLACES	± 0.2	INITIAL REVISION:		DOC TYPE	
3 PLACES	± 0.2	DRWN: RWATANABE01 2017/09/15		DOC PART	
2 PLACES	± 0.2	APPR: TKANEKO 2017/09/26		REVISION	
1 PLACE	± 0.2	DRAFT WHERE APPLICABLE MUST REMAIN WITHIN DIMENSIONS		5054311100-SD	
0 PLACES	± 0.2	THIRD ANGLE PROJECTION	DRAWING	SERIES	MATERIAL NUMBER
		⊕	A3-SIZE	505431	CUSTOMER
				SEE TABLE	GENERAL
				SHEET NUMBER	
				1 OF 2	

△ 適用製品及び各種仕様書
 APPLICABLE PRODUCTS AND VARIOUS SPECIFICATIONS

梱包仕様書 PACKING SPECIFICATION		5054319200 PS 200			
列数 NUMBER OF ROWS		SINGLE			
ローハロゲン対応 LOW HALOGEN COMPLIANT		NOT COMPLIANT		COMPLIANT	
適用ハウジング シリーズ番号 APPLICABLE HOUSING SERIES NUMBER		505565**0*		204532**0*	
適用嵌合相手 MATE WITH	嵌合タイプ MATING TYPE	VERTICAL	RIGHT ANGLE	VERTICAL	RIGHT ANGLE
	シリーズ番号 SERIES NUMBER	505568**** 3,5,8 ↑	505567**** 3,5,8 ↑	204530**8*	204529**8*
製品仕様書 PRODUCT SPECIFICATION		5055650002 PS 000		2045320000-PS PS 001	
取扱説明書 APPLICATION SPECIFICATION		AS-505565-001 (ENGLISH/JAPANESE)			
列数 NUMBER OF ROWS		DUAL			
ローハロゲン対応 LOW HALOGEN COMPLIANT		NOT COMPLIANT			
適用ハウジング シリーズ番号 APPLICABLE HOUSING SERIES NUMBER		505432**0*			
適用嵌合相手 MATE WITH	嵌合タイプ MATING TYPE	VERTICAL	RIGHT ANGLE		
	シリーズ番号 SERIES NUMBER	505433**** 2,3,4,5,6,9 ↑	505448**** 3,5,9 ↑		
製品仕様書 PRODUCT SPECIFICATION		5054320000 PS 006			
取扱説明書 APPLICATION SPECIFICATION		AS-505432-001 (ENGLISH/JAPANESE)			

製品嵌合図は各"適用嵌合相手"図面参照のこと
 MATING VIEW : REFER TO EACH "MATE WITH" PART DRAWING.

THIS DRAWING CONTAINS INFORMATION THAT IS PROPRIETARY TO MOLEX ELECTRONIC TECHNOLOGIES, LLC AND SHOULD NOT BE USED WITHOUT WRITTEN PERMISSION									
DIMENSION UNITS		SCALE		CURRENT REV DESC: REVISED				molex	
mm		NTS							
GENERAL TOLERANCES (UNLESS SPECIFIED)									
ANGULAR TOL		± 3.0 °		EC NO: 630688		2019/08/21		MICRO-LOCK PLUS 1.25 RECEPTACLE CRIMP TERMINAL GOLD PLATING	
4 PLACES		± 0.2		DRWN: TAKAIKE		2020/01/21			
3 PLACES		± 0.2		CHK'D: SAKIYAMA		2020/01/21			
2 PLACES		± 0.2		APPR: KOMURAKAMI		2020/01/21		PRODUCT CUSTOMER DRAWING	
1 PLACE		± 0.2		INITIAL REVISION:				DOCUMENT NUMBER	
0 PLACES		± 0.2		DRWN: RWATANABE01		2017/09/15		5054311100-SD	
				APPR: TKANEKO		2017/09/26		PSD 000 C	
DRAFT WHERE APPLICABLE MUST REMAIN WITHIN DIMENSIONS		THIRD ANGLE PROJECTION		DRAWING		SERIES		MATERIAL NUMBER	
				A3-SIZE		505431		SEE TABLE	
				CUSTOMER		GENERAL		SHEET NUMBER	
								2 OF 2	