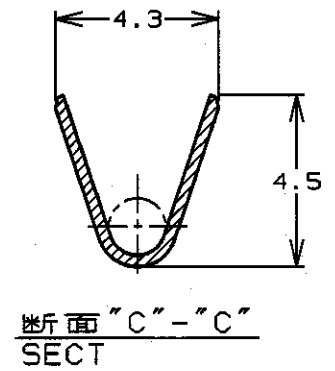
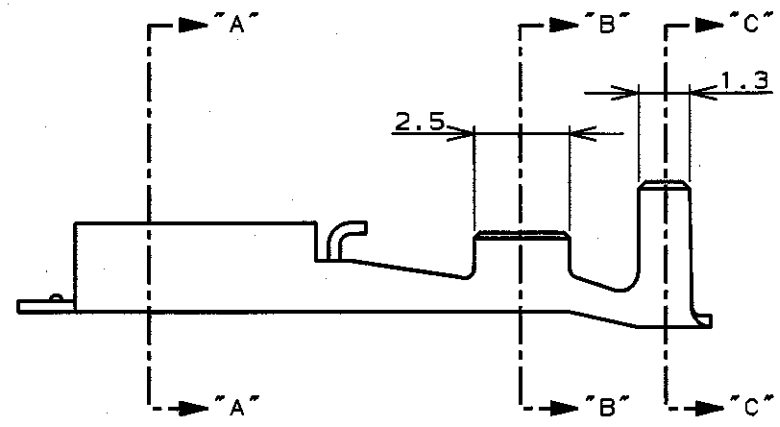
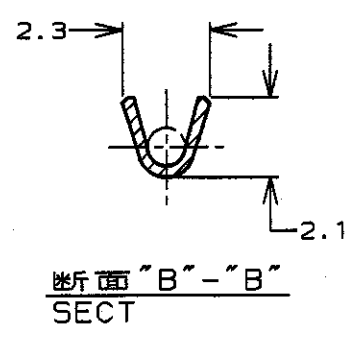
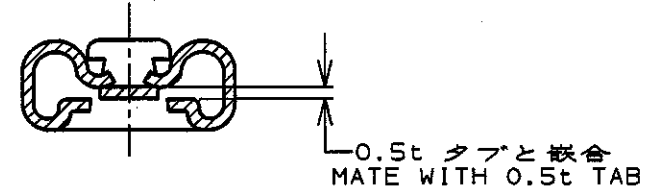
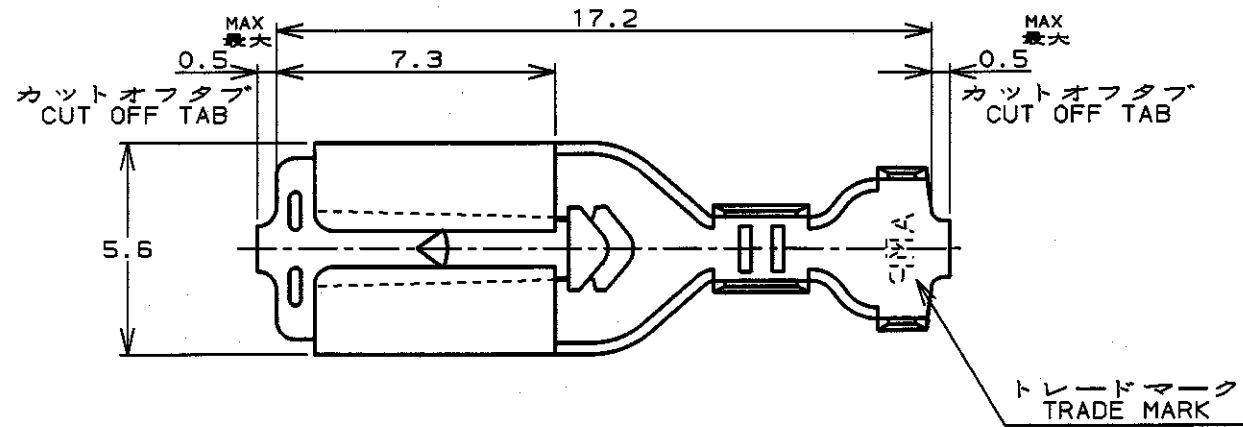


LOC		DIST		REVISIONS				
P	LTR	DESCRIPTION	ECN	DATE	DWN	APVD		
	C	REVISED	J-10649	25. APR 88	M. Y	T. F		
	D	REDRAWN WITHOUT CHANGE	FJ00-0723-99	10. MAY 99	Shi	MS		



- (注)
 1. 通用スリーブ型番: 174737
 2. 本端子は連鎖状でリール巻き
 3. 取扱説明書: 411-5391
- (NOTES)
 1. APPLICABLE SLEEVE P/N: 174737
 2. CONTINUOUS STRIP ON REEL
 3. INSTRUCTION SHEET NO: 411-5391

911587-1	173723-1	PRE TINNED BRASS 錫メッキ黄銅0.3t	173722-1
HAND TOOL NO. 手動工具型番	LOOSE PIECE P/N ばら状端子型番	MATERIAL 材料	P/N 型番
WIRE RANGE 適合電線断面積 0.14~0.53mm ²		INSULATION DIA 被覆外径 1.3~3.6φmm	

THIS DRAWING IS A CONTROLLED DOCUMENT FOR AMP INCORPORATED. IT IS SUBJECT TO CHANGE AND THE CONTROLLING ENGINEERING ORGANIZATION SHOULD BE CONTACTED FOR THE LATEST REVISION.		10. MAY '99 CHK APVD PRODUCT SPEC 108-5236 APPLICATION SPEC 114-5114 WEIGHT		AMP Kawasaki, Japan NAME 187 シリーズ・ポジティブ・ロック-EX 187 SERIES POSITIVE LOCK-EX	
DIMENSIONS: 単位: 毫 mm	TOLERANCES UNLESS OTHERWISE SPECIFIED 一般公差 10% : ±0.2 30% : ±0.25 100% : ±0.3 ANGLE : ±3°	SIZE A3	CAGE CODE 00779	DRAWING NO 番号 C-173722	RESTRICTED TO -
MATERIAL 材料 SEE TABLE 表参照		FINISH 仕上 //		SCALE 尺度 5-1	