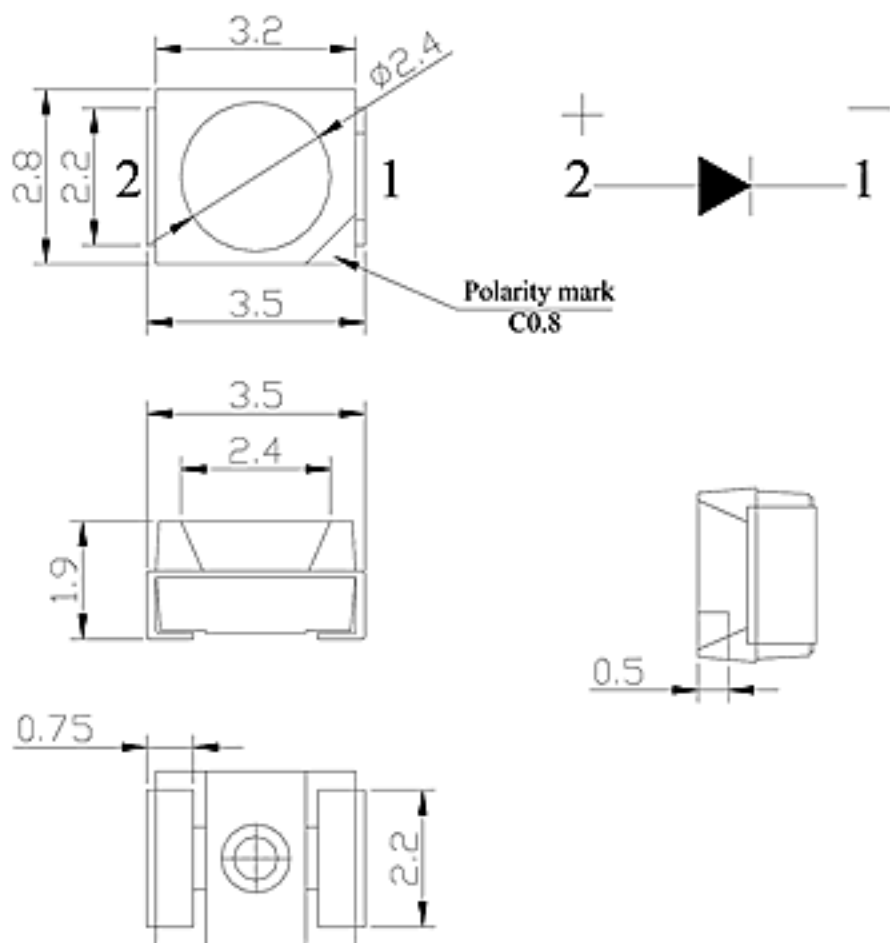


Package Dimensions



Notes:

1. All dimension units are millimeters (Inches)
2. All dimension tolerance $\pm 0.2\text{mm}$ unless otherwise noted.
3. An epoxy meniscus may extend about 1.5mm down the leads.