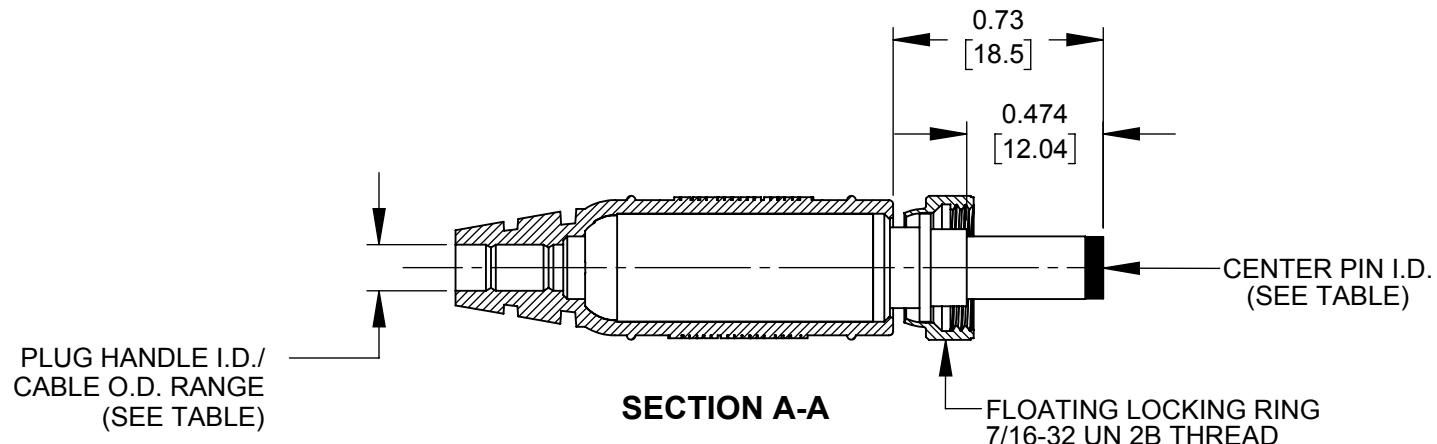
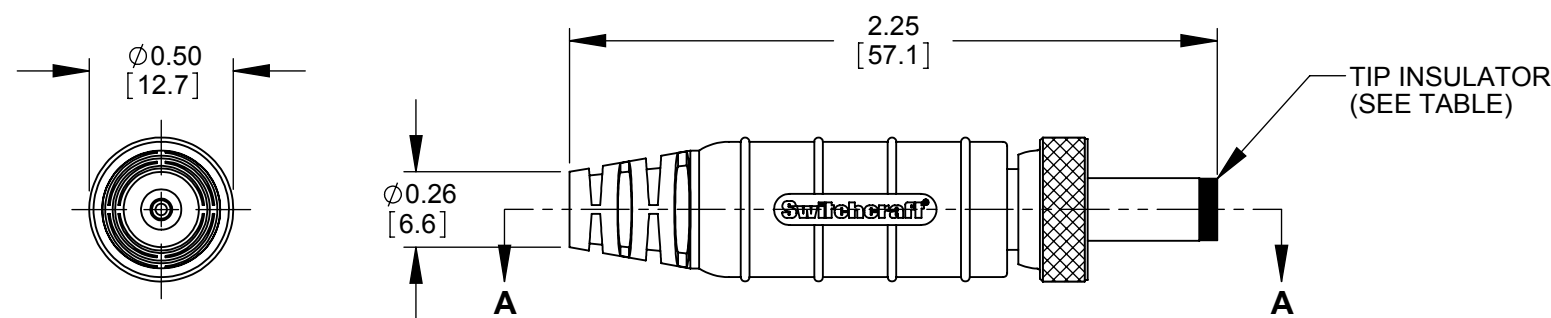
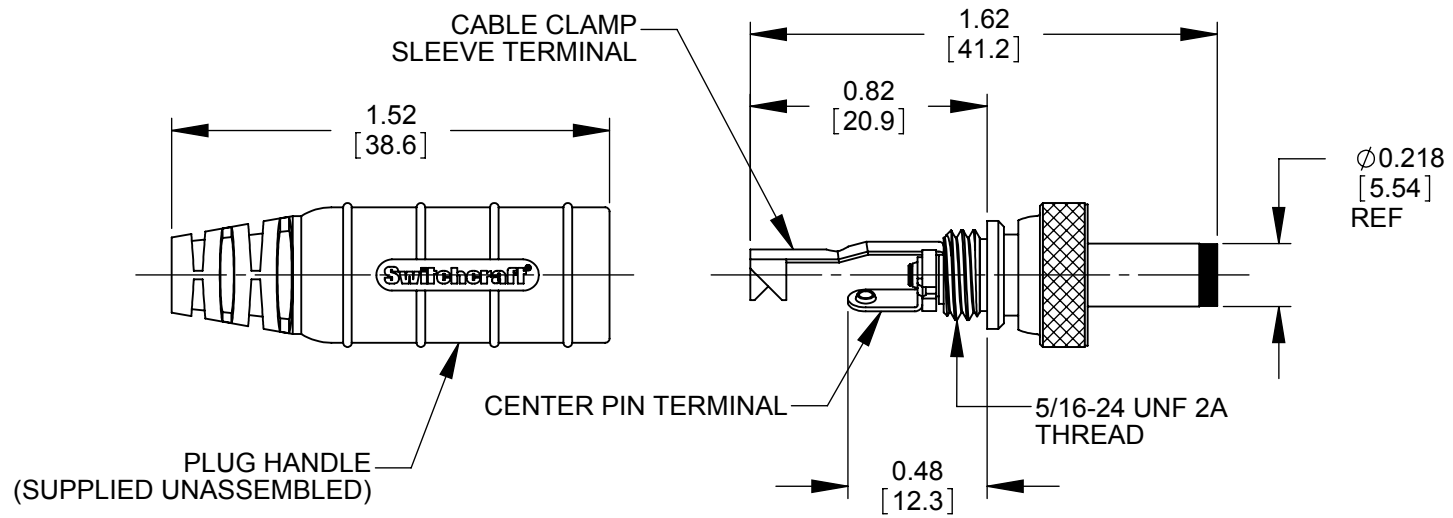


PART NUMBER	CENTER PIN I.D. (PLUG SIZE)	TIP INSULATOR COLOR	CABLE O.D. RANGE	MATING POWER JACKS REFERENCE
761KSH12	Ø0.10 [2.5]	GREEN	0.125 - 0.150 [3.2 - 3.8mm]	L712ASH, L712RASH, PCL712ASH
761KSH15			0.150 - 0.175 [3.8 - 4.4mm]	
761KSH17			0.175 - 0.210 [4.4 - 5.1mm]	
S761KSH12	Ø0.08 [2.0]	YELLOW	0.125 - 0.150 [3.2 - 3.8mm]	L722ASH, L722RASH, PCL722ASH
S761KSH15			0.150 - 0.175 [3.8 - 4.4mm]	
S761KSH17			0.175 - 0.210 [4.4 - 5.1mm]	



CUSTOMER DRAWING

- NOTES:
- MATERIAL:
 CONTACTORS, LOCKING RING - COPPER ALLOY, NICKEL PLATED
 TERMINALS - COPPER ALLOY, TIN PLATED
 INSULATORS - THERMOPLASTIC
 PLUG HANDLE - THERMOPLASTIC RUBBER OVER THERMOPLASTIC, BLACK
 - THIS PRODUCT IS RoHS COMPLIANT

REV	ECO NUMBER	DATE	BY	APVD
A	27941	09/06/17	PC	TJK
REVISIONS				

UNLESS OTHERWISE SPECIFIED

1. ALL DIMENSIONS IN INCHES [mm]
 - TWO PLACE DECIMALS ±0.02 [0.5]
 - THREE PLACE DECIMALS ±0.005 [0.13]

DO NOT SCALE DRAWING

THIS DRAWING DESCRIBES A DESIGN CONSIDERED PROPRIETARY IN NATURE, DEVELOPED AND MANUFACTURED BY SWITCHCRAFT INC. AND IS RELEASED ON A CONFIDENTIAL BASIS FOR IDENTIFICATION PURPOSES ONLY.											
SIZE	WIDTH	MULT	LBS/M	TEMPER							
FINISH					MATERIAL						
SPEC No.					SPEC No.						
FIRST USED ON				SCALE							
				1.5:1							
DATE DRAWN	BY	CHKD	APVD	Switchcraft [®]							
6/27/16	PNK	PNK	SRC								
				6/27/16				6/27/16		SHEET 1 OF 1	
NAME SEALED HT POWER PLUGS 761KSH, S761KSH SERIES, RoHS								PART No.		REV	
								761KSH, S761KSH SERIES		A	

Mouser Electronics

Authorized Distributor

Click to View Pricing, Inventory, Delivery & Lifecycle Information:

[Switchcraft:](#)

[S761KSH17](#) [S761KSH15](#)