

R84G - Pressure regulators

Excelon® Plus Modular System

- > Port size: 3/8" ... 3/4" (ISO G/PTF)
- > Excelon® Plus design allows in-line installation or modular installation with other Excelon® Plus products
- > Push to lock adjusting knob with built in tamper resistant feature
- > Easy to read flush mounted gauge as standard, integrated electronic pressure sensor as option



Technical features pressure regulator

Medium:

Compressed air only

Maximum supply pressure:

20 bar (290 psi)

Outlet pressure ranges:

0,3 ...10 bar (4 ... 145 psi),
0,3 ... 4 bar (4 ... 58 psi) optional,
0,7 ... 17 bar (10 ... 247 psi) optional

Gauge:

Integrated as standard
Gauge port 1/8 or electronic pressure sensor as option

Port size:

G3/8, G1/2, G3/4,
3/8 PTF, 1/2 PTF, 3/4 PTF

Diaphragm Type:

Relieving

Flow:

125 dm³/s at port size: 1/2",
inlet pressure 10 bar (145 psi),
6,3 bar (91 psi) set pressure and
a Δp: 1 bar (14,5 psi) droop from set.

Ambient/Media temperature:

-20 ... +65°C (-4 ... +149°F)
Air supply must be dry enough
to avoid ice formation at
temperatures below +2°C (+35°F).

Atex:

Regulators R84 are in conformity
with Atex 2014/34/EU

Ex II 2 GD

Ex h IIC T6 Gb

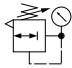
EX h IIIC T85°C Db

excluding all versions with
electronic pressure sensor

Materials:

Body: Die cast aluminium
Body covers: ABS
Bonnet: POM/Aluminium
Valve: PP
Elastomers: NBR

Technical data R84G - standard models with integrated flush mounted gauge

Symbol	Port size	Pressure range (bar)	Adjustment	Integrated gauge (bar)	Weight (kg)	Model*)
	G3/8	0,3 ... 10	Knob	0 ... 10	0,59	R84G-3GK-RMG
	G1/2	0,3 ... 10	Knob	0 ... 10	0,59	R84G-4GK-RMG
	G3/4	0,3 ... 10	Knob	0 ... 10	0,59	R84G-6GK-RMG

*) All models shown here are supplied with integrated gauge applicable for flow direction left to right.

With flow direction right to left please use the online configurator www.norgren.com/air-preparation-configurator or contact IMI Norgren

R84G - Pressure regulators with integrated electronic pressure sensor

- > Electronic monitoring of secondary pressure
- > 1.44" full colour graphic display. Excellent Visual Management.
- > Parameter Adjustment via front screen Buttons or Accessed Via IO-Link
- > Configurable switching output
- > Adjustable settings:
 - Setpoint,
 - Tolerance,
 - Hysteresis,
 - Pressure Units,
 - Temperature Units,
 - Screen Orientation,
 - Digital Output Type (NPN, PNP, Push-Pull),
 - Digital Output State (Normally High, Normally Low)
- > Install as a standard electronic pressure sensor or a pressure transducer with IO-Link



Technical features electronic pressure sensor

Electrical parameters

Secondary pressure measurement range:

0 ... 10 bar
(0 ... 145 psi, 0 ... 1.0 MPa)

Repeatability:

≤ 0.1% of full scale (FS) at stable temperature

Accuracy:

≤ 1.5% of full scale (FS) of detected pressure (0 ... +50°C, +32 ... +122°F)

Units:

Pressure: bar, psi, MPa
Temperature: °C, °F
Voltage: V

Display:

1.44" full colour TFT LCD
Text / background colours:
white/green: pressure in range
white/red: pressure out of range
white/amber: error
black white: setting mode

Display fields:

User configurable identifier, pressure value, pressure units, user configurable message, menu

IO-Link function:

Pressure information
Pressure out of range warnings
Temperature diagnostic
Supply voltage diagnostic
Operating time diagnostic

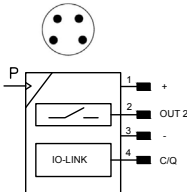
Min. cycle time:

20 ms

For product IODD file please use the online link <http://s.norgren.com/digital-gauge-iodd>

for a copy of the Quick Start Guide or comprehensive Operators manual please use the following online link www.norgren.com/excelon-plus

Electrical connection M8 x 1

	Pin-No.	Signal	Cable
	1	L+ (24V)	brown
	2	Out 2 (switching)	white
	3	L- (0V)	blue
	4	C/Q (IO-Link)	black

Electrical connection:

M8 x 1

Power supply:

18 ... 30 V d.c.

Current consumption:

20 mA

Electromagnetic compatibility:

According to EN 61000-6-2;
EN 61000-6-3

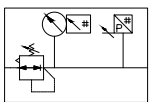
Switching output:

Configurable NPN / PNP / Push-Pull / NO / NC / hi-Z

Load current:

100mA with short circuit protection

Technical data R84G - standard models

Symbol	Port size	Pressure range (bar)	Adjustment	Integrated gauge (bar)	Weight (kg)	Model*)
	G3/8	0,3 ... 10	Knob	0 ... 10	0,79	R84G-3GK-RME
	G1/2	0,3 ... 10	Knob	0 ... 10	0,79	R84G-4GK-RME
	G3/4	0,3 ... 10	Knob	0 ... 10	0,79	R84G-6GK-RME

*) All models shown here are supplied with integrated pressure sensor applicable for flow direction left to right.

With flow direction right to left please use the online configurator www.norgren.com/air-preparation-configurator or contact IMI Norgren

Option selector *1)
R84G-★★★★-R★★

Port size	Substitute
3/8"	3
1/2"	4
3/4"	6
Thread form	Substitute
PTF	A
ISO G parallel (standard)	G
Adjustment	Substitute
Knob (standard)	K
T-bar	T*2)

Gauge	Substitute
With integrated digital pressure sensor *3)	E
With (fitted integrated gauge)	G
Without integrated gauge but with gauge port 1/8"	N
Pressure range *4)	Substitute
0,3 ... 4 bar	F
0,3 ... 10 bar (standard)	M
0,7 ... 17 bar	S*2)

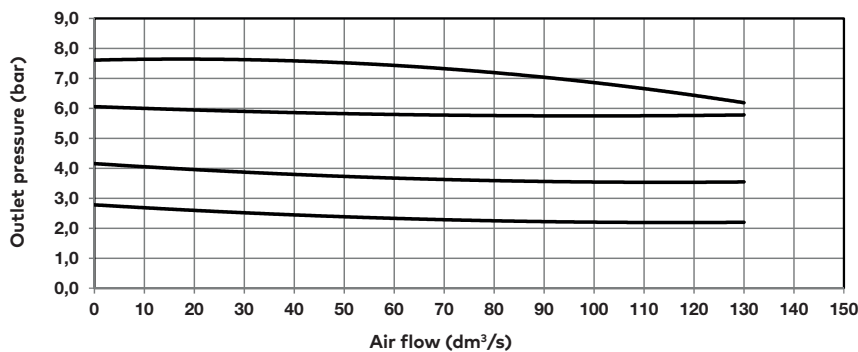
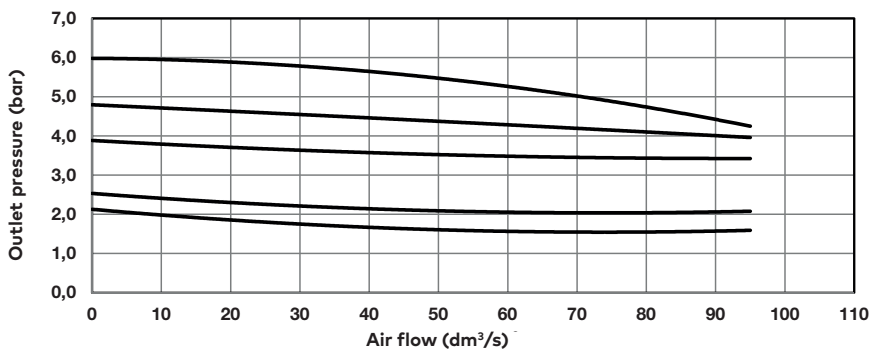
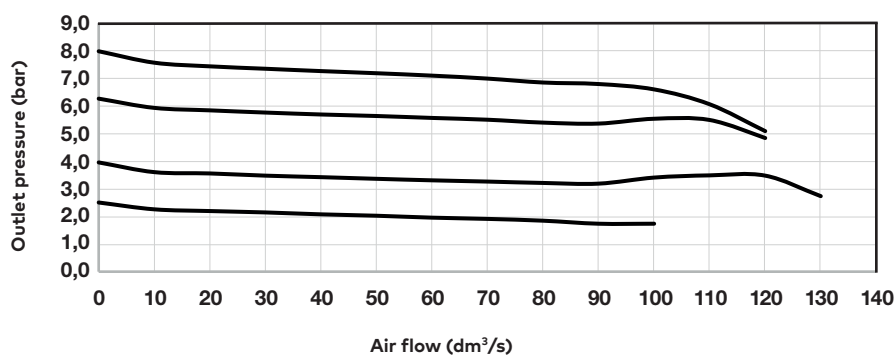
*1) All models shown here are applicable for flow direction left to right.

With flow direction right to left please use the online configurator www.norgren.com/air-preparation-configurator or contact Norgren

*2) Units with 17 bar outlet pressure range are available only with the T-bar adjustment. Not available in connection with integrated pressure sensor.

*3) Only available with 10 or 4 bar pressure range

*4) Outlet pressure can be adjusted to pressures in excess of, and less than, those specified. Do not use these units to control pressures outside of the specified ranges.

Flow characteristics
Inlet pressure: 10 bar (145 psi)
Port size: 1/2"

Inlet pressure: 7 bar (101 psi)
Port size: 1/2"

Inlet pressure: 10 bar (145 psi)
Port size: 3/8"


Accessories

Quikclamp®



Page 6
840014-51KIT

Quikclamp® with bracket assembled




Page 6
840014-52KIT

Hybrid Quikclamp® *1



Page 6
840014-61

Hybrid Quikclamp® with bracket assembled *1



Page 6
840014-62


*1) To connect new Excelon Plus to old Excelon 74/73 units. Having the same hole centres as 74 series mounting bracket.
A Quikclamp adds 13.6 mm to the overall width of a combination unit

Neck mounting bracket and panel nut



Page 6
840068-51KIT

Panel mounting nut



Page 6
840048-89KIT

Mounting bracket



Page 6
840024-50KIT

Integrated gauge 10 bar gauge



Page 6
840073-01KIT

Integrated gauge 20 bar gauge



Page 6
840073-02KIT

Gauge adaptor kit 1/8 PTF



Page 6
840100-01KIT

Gauge adaptor kit R 1/8



Page 6
840100-02KIT

Full flow porting block horizontal, 3/4 PTF




Page 7
840028-50KIT

Full flow porting block horizontal, G3/4



Page 7
840028-53KIT

Full flow porting block vertical, 3/4"PTF



Page 7
840028-68KIT

Full flow porting block vertical, G3/4"



Page 7
840028-69KIT

Pressure switch interface block (18D pressure switch) G1/4



Page 8
0337717000000000

Pressure sensing block 1/4 PTF



Page 7
840016-50KIT

Pressure sensing block G1/4



Page 7
840016-51KIT


Port Adaptors



Page 8


3/8 PTF	840015-02KIT
1/2 PTF	840015-03KIT
3/4 PTF	840015-04KIT
G3/8	840015-10KIT
G1/2	840015-11KIT
G3/4	840015-12KIT

Padlock



Page 8
840055-01KIT

Lockout device



Page 8
840055-02KIT

**Pressure switch 18D
(0,5 ... 8bar) *1**

Page 8

0881300

**Digital pressure switch
51D (-1 ... 10 bar) *2**

Page 8

0860810

**Electronic Pressure Sensor
– stand alone version *3**


Q84G

IO-Link cables
Connection cable M8x1 for intergated electronic pressure sensor


Description	Cable length (m)	Model
M8 female to M12 male	0,6	NC-084FS-124MS-A
	1,0	NC-084FS-124MS-1
	2,0	NC-084FS-124MS-2
	5,0	NC-084FS-124MS-5
M8 female to free end	3,0	NC-084FS-00000-3

*1) Flanged version. For other pressure ranges, please see data sheet 5.11.001

*2) For other pressure ranges, please see data sheet 5.11.385

*3) Q84G standalone electronic pressure sensor module
see <http://s.norgren.com/digital-gauge-iodd> for data-sheet 8.900.905.

Gauges

(For regulators with gauge port instead of integrated port)

**Center back connection, white face
(for full technical specification see datasheet 8.900.900)**

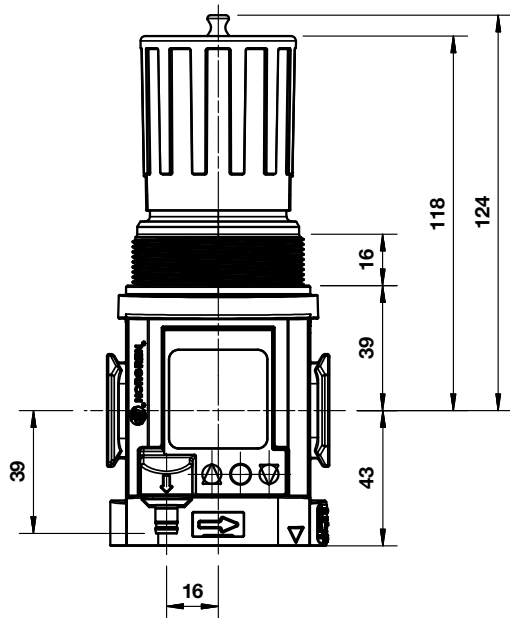
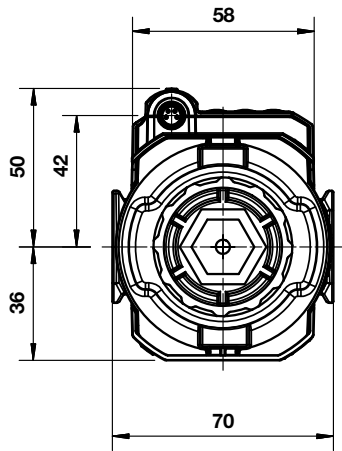

Pressure range (bar)*3) (MPa)	(psi)	∅	Thread size	Model	
0 ... 6	0 ... 0,6	0 ... 84	40 mm	R1/8	18-015-885
0 ... 10	0 ... 1	0 ... 145	40 mm	R1/8	18-015-989
0 ... 25	0 ... 2,5	0 ... 362	40 mm	R1/8	18-015-908

*3) primary scale

**R84 / B84
Elastomer Kit**

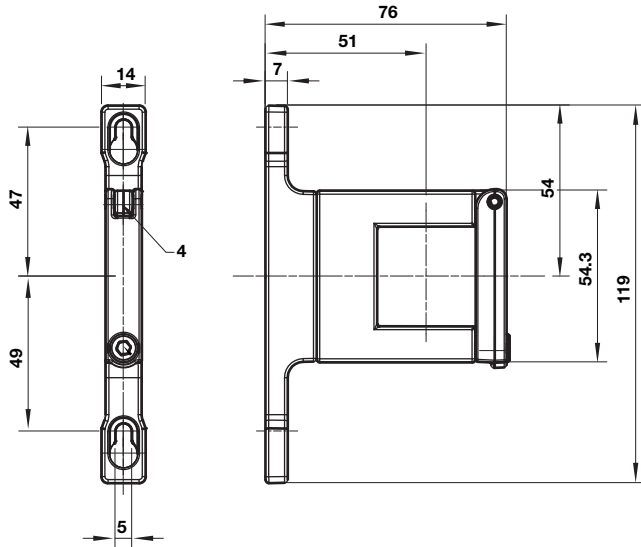
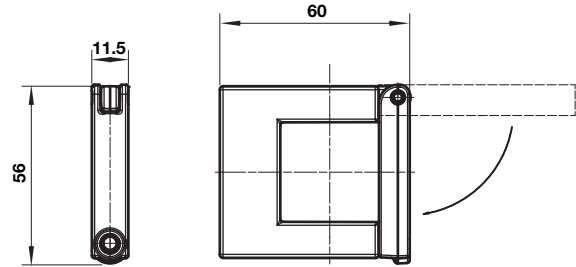
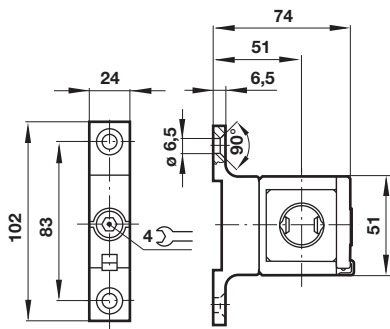
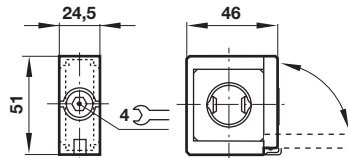
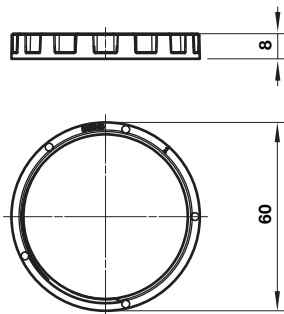

FRLB84-KIT

Dimensions
**R84G-
General Purpose Regulator**

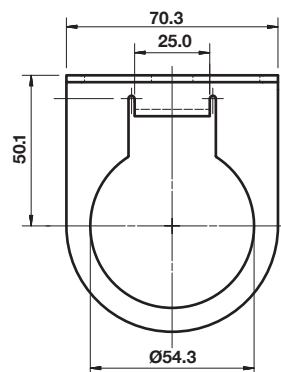
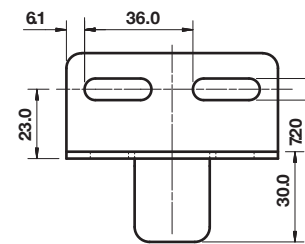
 Dimensions in mm
 Projection/First angle


Accessories

 Dimensions in mm
 Projection/First angle

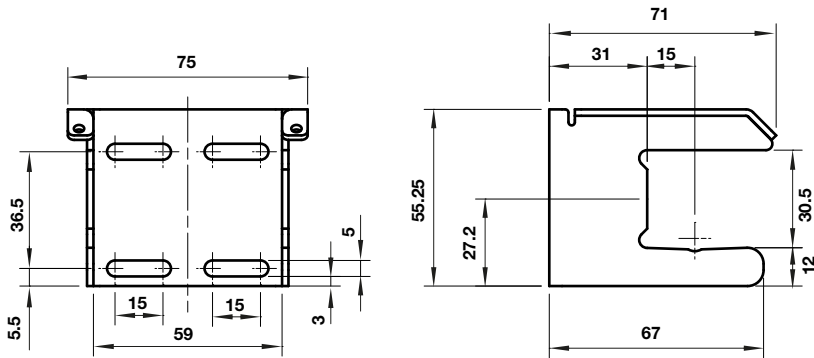
Quikclamp® with wall bracket

Quikclamp®

Hybrid-Quikclamp® with wall bracket

Hybrid-Quikclamp®

Panel mounting nut


Recommended panel hole size:
 ø 55 mm ... 57 mm
 Panel thickness:
 2 ... 6 mm

Neck mounting bracket


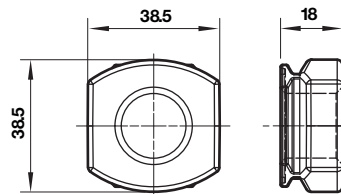
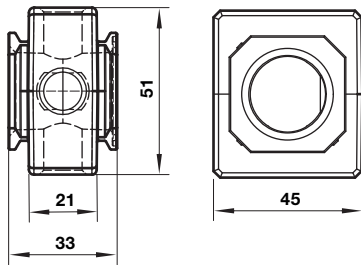
Mounting bracket

Dimensions in mm
Projection/First angle



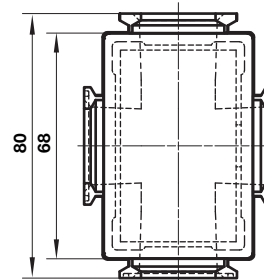
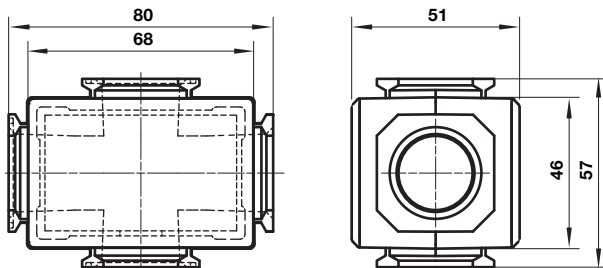
Pressure sensing block

Pipe adaptor

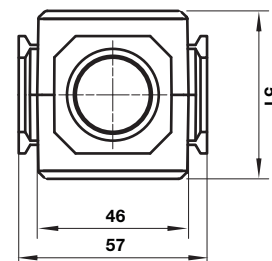
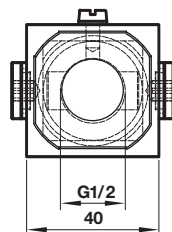
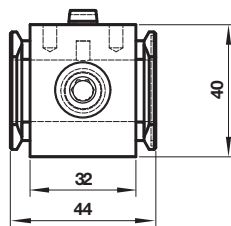


Full flow porting block horizontal

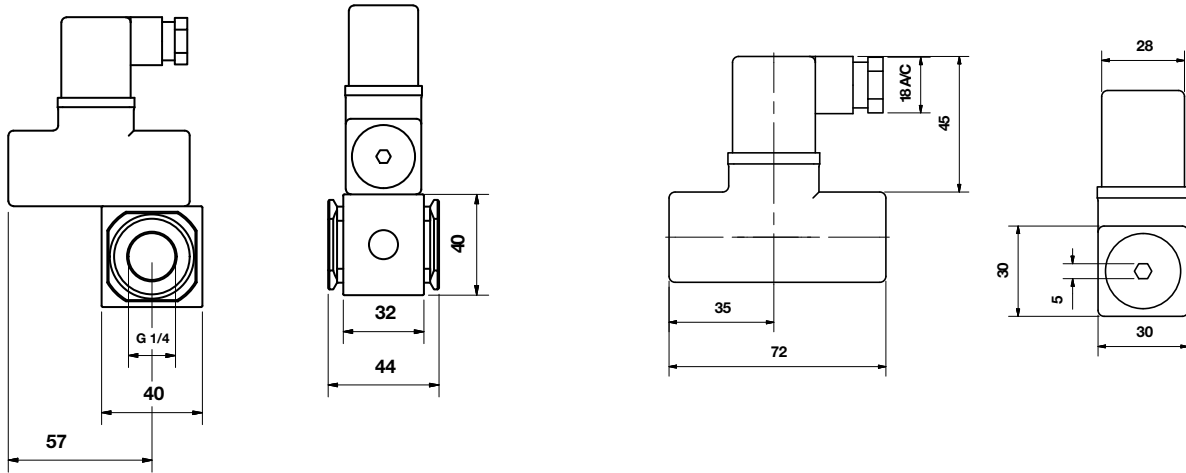
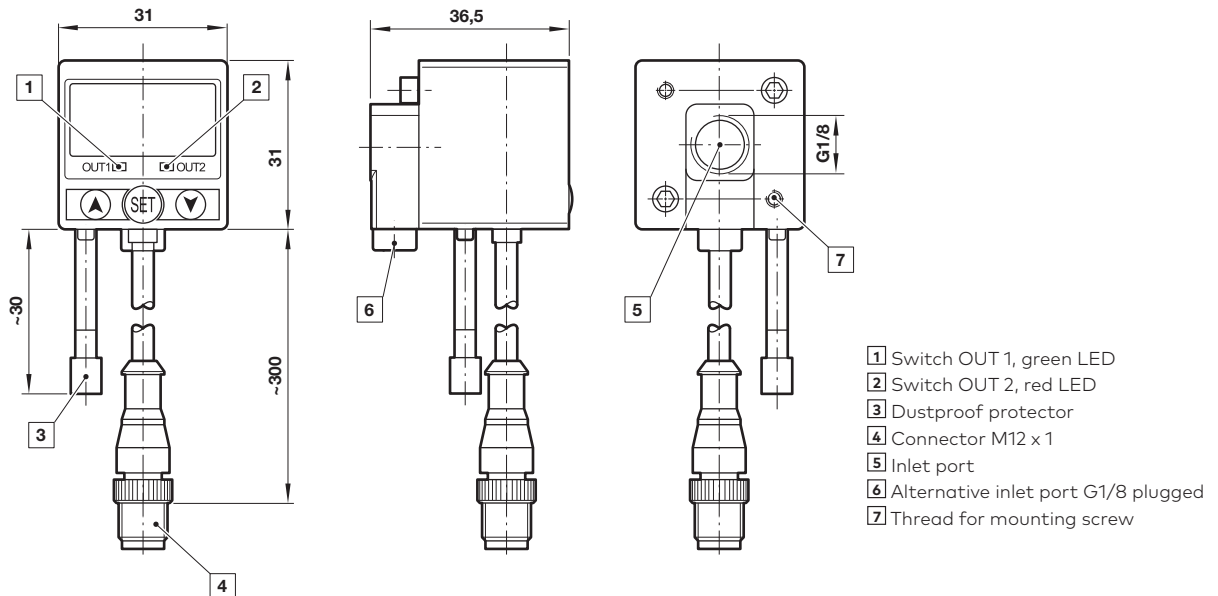
Full flow porting block vertical



Porting block for 18D pressure switch



**18D Porting block and
18D assembled**
18D Pressure switch

 Dimensions in mm
 Projection/First angle

51D Pressure switch - digital

Warning

These products are intended for use in industrial compressed air systems only. Do not use these products where pressures and temperatures can exceed those listed under »**Technical features/data**«.

Before using these products with fluids other than those specified, for non-industrial applications, life-support systems or other applications not within published specifications, consult IMI Precision Engineering, Norgren Ltd.

Through misuse, age, or malfunction, components used in fluid power systems can fail in various modes. The system designer is warned to consider the failure modes of all component parts used in fluid power systems and to provide adequate safeguards to prevent personal injury or damage to equipment in the event of such failure.

System designers must provide a warning to end users in the system instructional manual if protection against a failure mode cannot be adequately provided.

System designers and end users are cautioned to review specific warnings found in instruction sheets packed and shipped with these products.