



Dialight LED Panel Mount Indicator Catalog

for LED and Relampable Products

On when it counts.

Products and solutions that
protect your business





Typical Applications

Dialight's panel mount products are used for status indication in broad range of applications from heavy duty vehicles, military avionics displays to servers and communications equipment. Some examples of common applications are:

- Medical
- Military/Aviation
- Oil/Gas/Mining Equipment
- Food Processing
- Marine
- Wire and Harness
- Power Distribution
- Industrial Control Panels
- Test & Measurement
- Traffic controls and Rail Applications
- Servers & Storage
- Transportation
- Fan Trays

About Dialight (Signal and Component Group)

In business since 1938, Dialight continues to pioneer some of the most innovative applications in LED technology since the development of LED in the early 1970's. We put our expertise to work for you by designing the most reliable and cost-effective LED products available. As a vertically integrated supplier, Dialight has the resources to design and produce everything in-house, supported by a global sales distribution network.



Table of Contents

LED Panel Mount Indicators*

249 Series - 0.375" (9.53mm)	6-7
556 Series - 1" (25.40mm)	8-13
557 Series - 0.688" (17.46mm)	14-15
558 Series - 0.156" (3.96mm)	16-17
559 Series - 0.250" (6.35mm)	18-19
600 Series - 0.205"-0.642" (5mm-16mm)	20-31
656 Series - 0.5" (12.7mm)	32-35
657 Series - 0.688" (17.46mm)	36-38
670 Series - 0.205"-0.642" (5mm-16mm)	39-53

LED Bulbs

Based LED Bulbs	54-73
Incandescent Lamp / Based LED Cross-reference guide	74-76

Relampable Lampholders and Caps*

3/8" (9.53mm) - Mounting hole	77
15/32" (11.91mm) - Mounting hole	71-78
11/16" (17.46mm) - Mounting hole	78-79
1" (25.40mm) - Mounting Hole	80
Neon & Incandescent Panel Mount Indicator Part Numbering System	81

Military Panel Mount Indicators

Military Panel Mount Indicators	82-85
Military Cross Reference Guide	86-87

*LED Panel Mount Indicators Series with mounting hole diameter.

249 Series

Front or Rear Panel Mount Indicators



Application:

Dialight's 249 series LED panel mount indicator is available with a variety of LED's including AlInGap and InGan technology for high brightness applications. These indicators are designed for a variety of applications such as:

- Main and remote power indication
- Status indication
- Maintenance and warning indication
- Instrumentation
- Process control

...and many more!

Certifications & Ratings

- RoHS Compliant

Mechanical information

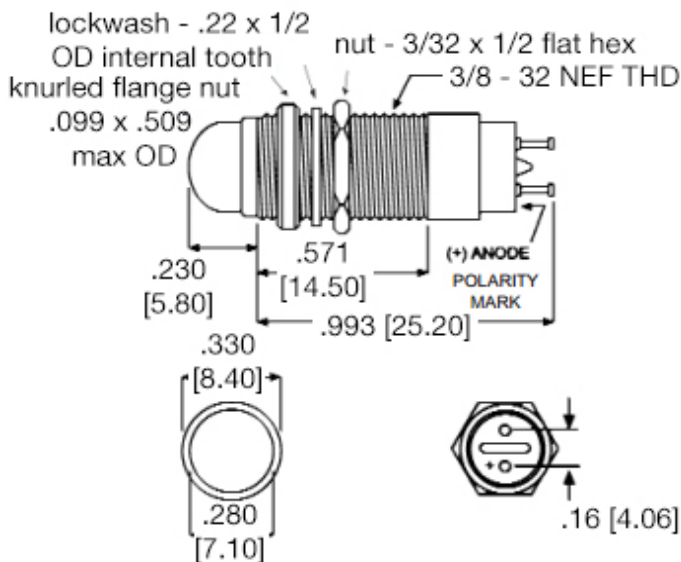
Mounting Hole Size:	0.375" (9.53 mm)
Max Panel Thickness:	0.312" (7.92 mm)
Mounting Torque:	8-10 in-lbs torque

Specifications

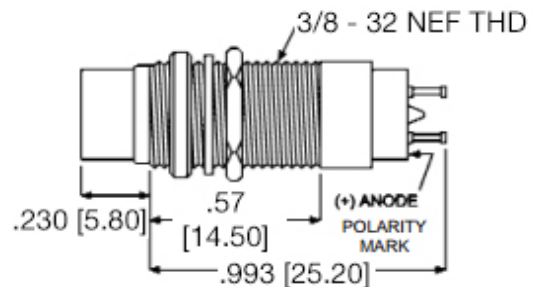
Voltage Options:	3.6, 5, 10, 14, and 28V DC	Terminals:	Phosphor Bronze – Fused Tin
Operating Temp:	-55°C to +71°C (-67°F to +159.8°F)	Knurled Flange Nut:	Aluminum – Black Anodized
Storage Temp:	-55°C to +71°C (-67°F to +159.8°F)	Lock Washer:	Phosphor Bronze – White Nickel Plated
Electrical Connection:	Turret terminals for wire wrapping	Nut:	Brass – White Nickel Plated
Housing:	Aluminum – Black Anodized		

Dimensions

STOVEPIPE LENS



CYLINDRICAL LENS 1



Cylindrical lens will provide wider viewing angle.

Dimension are in Inches [mm]

249 Series

Ordering Information

Part Number	Color	Voltage (V DC)*	Current (mA)	Typical Intensity (mcd)
Stovepipe Cap				
249-4162-3734-504F	Blue	3.5**	10	1500
249-7867-3731-504F	Red	3.6	20	170
249-7967-3732-504F	Green	3.6	20	100
249-8067-3733-504F	Yellow	3.6	20	150
249-4164-3734-504F	Blue	5	10	1500
249-7868-3731-504F	Red	5	20	170
249-7968-3732-504F	Green	5	20	100
249-8068-3733-504F	Yellow	5	20	150
249-4166-3734-504F	Blue	10	10	1500
249-7870-3731-504F	Red	10	20	170
249-7970-3732-504F	Green	10	20	100
249-8070-3733-504F	Yellow	10	20	150
249-4167-3734-504F	Blue	14	10	1500
249-7871-3731-504F	Red	14	20	170
249-7971-3732-504F	Green	14	20	100
249-8071-3733-504F	Yellow	14	20	150
249-4168-3734-504F	Blue	28	10	1500
249-7872-3731-504F	Red	28	20	170
249-7972-3732-504F	Green	28	20	100
249-8072-3733-504F	Yellow	28	20	150
Cylindrical Cap				
249-4162-3334-504F	Blue	3.5**	10	700
249-7867-3331-504F	Red	3.6	20	55
249-7967-3332-504F	Green	3.6	20	40
249-8067-3333-504F	Yellow	3.6	20	75
249-4164-3334-504F	Blue	5	10	700
249-7868-3331-504F	Red	5	20	55
249-7968-3332-504F	Green	5	20	40
249-8068-3333-504F	Yellow	5	20	75
249-4166-3334-504F	Blue	10	10	700
249-7870-3331-504F	Red	10	20	55
249-7970-3332-504F	Green	10	20	40
249-8070-3333-504F	Yellow	10	20	75
249-4167-3334-504F	Blue	14	10	700
249-7871-3331-504F	Red	14	20	55
249-7971-3332-504F	Green	14	20	40
249-8071-3333-504F	Yellow	14	20	75
249-4168-3334-504F	Blue	28	10	700
249-7872-3331-504F	Red	28	20	55
249-7972-3332-504F	Green	28	20	40
249-8072-3333-504F	Yellow	28	20	75

*Dialight recommends tolerance of 5% of specified voltage range.

**VF typical - Requires current limiting resistor

556 Series

Standard Panel Mount Indicators



Application:

The 556 Series LED Panel Mount Indicators incorporate both InGaN and AlInGaP technologies to offer maximum light output. This is a highly durable package, designed to withstand outdoor applications susceptible to rain, dust and sunlight.

- Instrument panels
- Safety applications
- Transportation - rail, bus, airline
- Vending, gaming
- Lane control
- Display lighting

...and many more!

Certifications & Ratings

- UL 1598 (E156890)
- IP66
- NEMA 4x
- RoHS Compliant w/6C exemption
- IK07

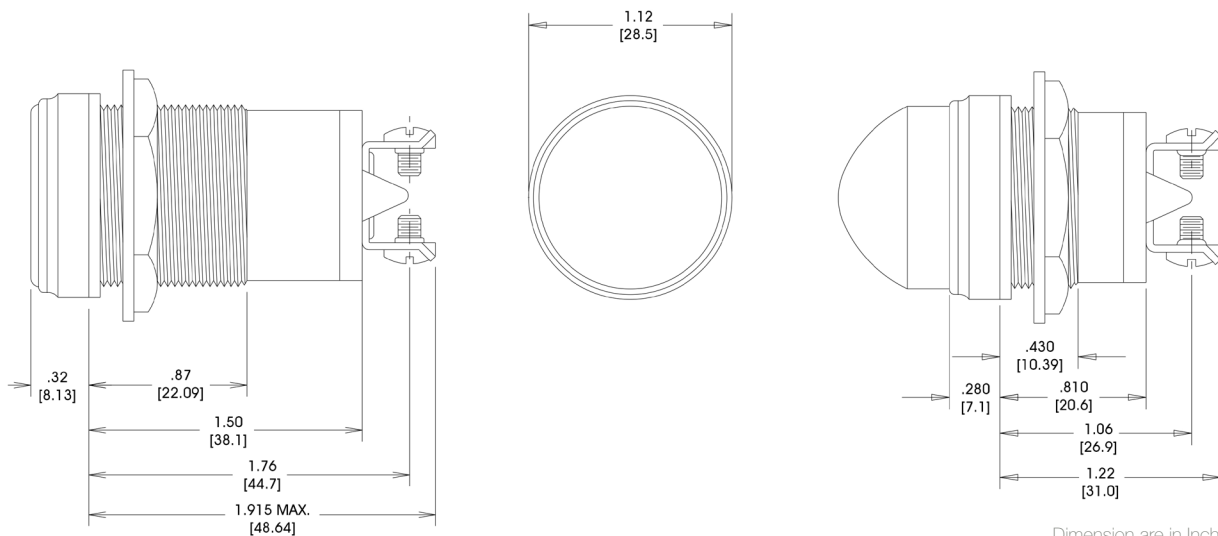
Mechanical information

Mounting Hole Size:	1.0" (25.4 mm)
Max Panel Thickness:	Flat: 0.600" (15.24 mm) Dome: 0.187" (4.27 mm)
Mounting Torque:	40 in-lbs

Specifications

Voltage Options:	12 to 125V DC, and 125, 230V AC	Terminals:	Brass – Hot solder dip per Mil-F-14072D, M258, Type II
Operating Temp:	-30°C to +85°C (-22°F to +185°F)	Lens Material:	Transparent Polycarbonate (UL 94V-0)
Storage Temp:	-40°C to +100°C (-40°F to +212°F)	Lock Washer:	Phosphor Bronze – White Nickel Plated
Electrical Connection:	6-32 Screw Terminals	Nut:	Brass – White Nickel Plated
Housing:	Nickel plated brass, other plating options available		

Dimensions



Dimension are in Inches [mm]

556 Series

Ordering Information

Part Number	Lens Style	Color	Voltage	Voltage Type	Current (mA)	Typical Intensity (mcd)
556-1003-304F	Flat	White	12	V DC	60	6900
556-1503-304F	Flat	Red	12	V DC	95	5100
556-1603-304F	Flat	Green	12	V DC	60	6900
556-1683-304F	Flat	Cyan	12	V DC	60	6900
556-1703-304F	Flat	Yellow	12	V DC	95	5100
556-1803-304F	Flat	Blue	12	V DC	60	2000
556-1903-304F	Flat	Orange	12	V DC	95	5100
556-1004-304F	Flat	White	24	V DC	32	6900
556-1504-304F	Flat	Red	24	V DC	46	5100
556-1604-304F	Flat	Green	24	V DC	32	6900
556-1684-304F	Flat	Cyan	24	V DC	32	6900
556-1704-304F	Flat	Yellow	24	V DC	46	5100
556-1804-304F	Flat	Blue	24	V DC	32	2000
556-1904-304F	Flat	Orange	24	V DC	46	2000
556-1508-304F	Flat	Red	37.5	V DC	20	4500
556-1608-304F	Flat	Green	37.5	V DC	16	6900
556-1708-304F	Flat	Yellow	37.5	V DC	20	4500
556-1506-304F	Flat	Red	72	V DC	18.5	3100
556-1606-304F	Flat	Green	72	V DC	16	3100
556-1706-304F	Flat	Yellow	72	V DC	20	1700
556-1806-304F	Flat	Blue	72	V DC	18.5	1700
556-1007-304F	Flat	White	125	V DC	10.5	3100
556-1507-304F	Flat	Red	125	V AC	10	1200
556-1607-304F	Flat	Green	125	V DC	10	1700
556-1707-304F	Flat	Yellow	125	V DC	10	1200
556-1005-304F	Flat	White	125	V AC	11	3100
556-1505-304F	Flat	Red	125	V AC	10.5	2000
556-1605-304F	Flat	Green	125	V AC	9.5	3100
556-1685-304F	Flat	Yellow	125	V AC	9.5	3100
556-1705-304F	Flat	Yellow	125	V AC	10.5	2000
556-1805-304F	Flat	Blue	125	V AC	9.5	860
556-1905-304F	Flat	Orange	125	V AC	10.5	860
556-1009-304F	Flat	White	230	V AC	6	3100
556-1509-304F	Flat	Red	230	V AC	7	2000
556-1609-304F	Flat	Green	230	V AC	7	3100
556-1709-304F	Flat	Yellow	230	V AC	7	2000
556-1809-304F	Flat	Blue	230	V AC	7	860
556-1909-304F	Flat	Orange	230	V AC	7	3100

*For Domed Lens Style replace 4th digit with "3" for example: 558-3003-304F

556 Series

Day Light Viewable Panel Mount Indicators



Application:

The 556 Series LED Panel Mount Indicators incorporate both InGaN and AlInGaP technologies to offer maximum light output. This is a highly durable package, designed to withstand outdoor applications susceptible to rain, dust and sunlight.

- Instrument panels
- UL 508 panel applications
- Power Generators
- Ground support vehicles
- Transportation - rail, bus, airline
- Display lighting
- Safety applications
- Agricultural controls
- Environmental Monitoring Equipment
- Pump system controllers
- Lane control

...and many more!

Mechanical information

Mounting Hole Size:	1.0" (25.4 mm)
Max Panel Thickness:	0.600" (15.24 mm)
Mounting Torque:	40 in-lbs torque

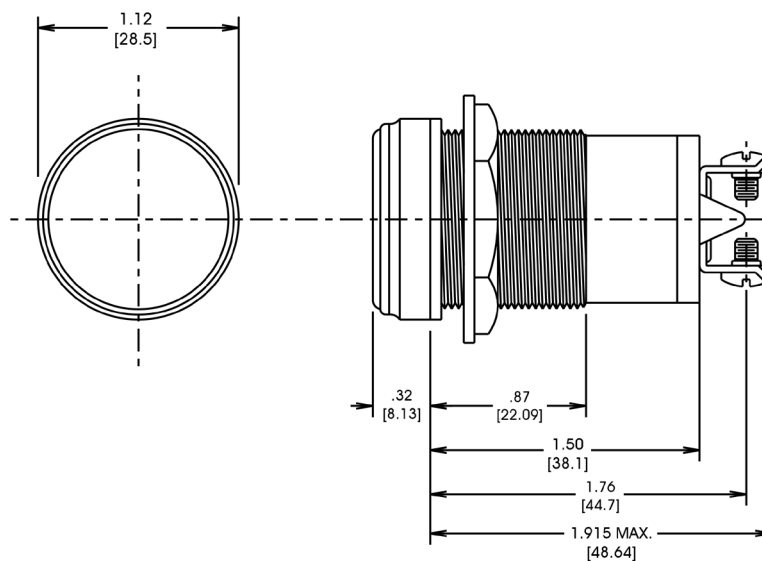
Certifications & Ratings

- UL1598 (E156890)
- NEMA 4X
- IP66
- RohS Compliant w/6C exemption

Specifications

Voltage Options:	12 to 125V DC and 125, 230V AC	Terminals:	Brass – Hot solder dip per Mil-F-14072D, M258, Type II
Operating Temp:	-30°C to +85°C (-22°F to +185°F)	Lens Material:	Clear UV Stabilized Polycarbonate (UL 94V-0)
Storage Temp:	-40°C to +100°C (-40°F to -212°F)	Lock Washer:	Phosphor Bronze – White Nickel Plated
Electrical Connection:	6-32 Screw Terminals	Nut:	Brass – White Nickel Plated
Housing:	Nickel plated brass, other plating options available		

Dimensions



Dimension are in Inches [mm]

556 Series

Ordering Information

Part Number	Color	Voltage	Voltage Type	Current (mA)	Typical Intensity (mcd)
556-1503-314F	Red	12	V DC	95	5100
556-1603-314F	Green	12	V DC	60	6900
556-1683-314F	Cyan	12	V DC	60	6900
556-1703-314F	Yellow	12	V DC	95	5100
556-1803-314F	Blue	12	V DC	60	2000
556-1903-314F	Orange	12	V DC	95	5100
556-1504-314F	Red	24	V DC	46	5100
556-1604-314F	Green	24	V DC	32	6900
556-1684-314F	Cyan	24	V DC	32	6900
556-1704-314F	Yellow	24	V DC	46	5100
556-1804-314F	Blue	24	V DC	32	2000
556-1904-314F	Orange	24	V DC	46	5100
556-1508-314F	Red	37.5	V DC	20	5100
556-1608-314F	Green	37.5	V DC	16	6900
556-1708-314F	Yellow	37.5	V DC	20	5100
556-1506-314F	Red	72	V DC	18.5	5100
556-1606-314F	Green	72	V DC	16	6900
556-1706-314F	Yellow	72	V DC	20	5100
556-1507-314F	Red	125	V DC	10	5100
556-1607-314F	Green	125	V DC	10	6900
556-1707-314F	Yellow	125	V DC	10	5100
556-1505-314F	Red	125	V AC	10.5	5100
556-1605-314F	Green	125	V AC	9.5	6900
556-1685-314F	Cyan	125	V AC	9.5	6900
556-1705-314F	Yellow	125	V AC	10.5	5100
556-1805-314F	Blue	125	V AC	9.5	2000
556-1905-314F	Orange	125	V AC	10.5	5100
556-1509-314F	Red	230	V AC	7	5100
556-1609-314F	Green	230	V AC	7	6900
556-1709-314F	Yellow	230	V AC	7	5100
556-1809-314F	Blue	230	V AC	7	2000
556-1909-314F	Orange	230	V AC	7	5100

556 Series

Class 1, Div2, Panel Mount Indicator



Application:

The 556 Series LED Panel Mount Indicators incorporate both InGaN and AlInGaP technologies to offer maximum light output. This is a highly durable package, designed to withstand outdoor applications susceptible to rain, dust and sunlight. In addition, the Class I, Division 2 rating allows for use in hazardous environments common to the oil and gas, mining, and chemical industries

- Instrument panels
- Safety applications
- UL 508 panel applications
- Petrochemical applications
- Pump system controllers
- Environmental Monitoring Equipment specifications
- Mining application
- Oil Refineries
- Agricultural controls
- Power generators

...and many more!

Mechanical information

Mounting Hole Size:	1.0" (25.4 mm)
Max Panel Thickness:	Flat: 0.600" (15.24 mm) Dome: 0.187" (4.27 mm)
Mounting Torque:	40 in-lbs torque

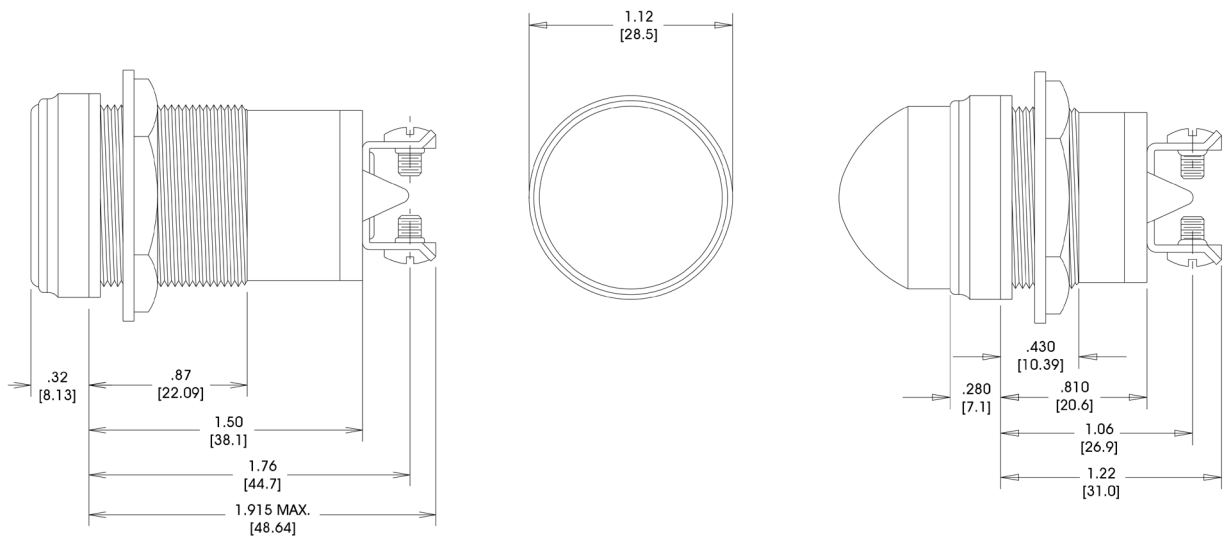
Certifications & Ratings

- UL1598 (E156890)
- NEMA4X
- IP66
- IK07
- RoHS Compliant w/6C exemption

Specifications

Voltage Options:	12 to 125V DC, 125, 230V AC	Terminals:	Brass – Hot solder dip per Mil-F-14072D, M258, Type II
Operating Temp:	-30°C to +85°C (-22°F to +185°F)	Lens Material:	Transparent Polycarbonate (UL 94V-0)
Storage Temp:	-40°C to +100°C (-40°F to +212°F)	Lock Washer:	Phosphor Bronze – White Nickel Plated
Electrical Connection:	6-32 Screw Terminals	Nut:	Brass – White Nickel Plated
Housing:	Nickel plated brass, other plating options available		

Dimensions



556 Series

Ordering Information

Part Number	Lens Style	Color	Voltage	Voltage Type	Current (mA)	Typical Intensity (mcd)
556-1003-304F	Flat	White	12	V DC	60	6900
556-1503-304F	Flat	Red	12	V DC	95	5100
556-1603-304F	Flat	Green	12	V DC	60	6900
556-1683-304F	Flat	Cyan	12	V DC	60	6900
556-1703-304F	Flat	Yellow	12	V DC	95	5100
556-1803-304F	Flat	Blue	12	V DC	60	2000
556-1903-304F	Flat	Orange	12	V DC	95	5100
556-1004-304F	Flat	White	24	V DC	32	6900
556-1504-304F	Flat	Red	24	V DC	46	5100
556-1604-304F	Flat	Green	24	V DC	32	6900
556-1684-304F	Flat	Cyan	24	V DC	32	6900
556-1704-304F	Flat	Yellow	24	V DC	46	5100
556-1804-304F	Flat	Blue	24	V DC	32	2000
556-1904-304F	Flat	Orange	24	V DC	46	2000
556-1508-304F	Flat	Red	37.5	V DC	20	4500
556-1608-304F	Flat	Green	37.5	V DC	16	6900
556-1708-304F	Flat	Yellow	37.5	V DC	20	4500
556-1506-304F	Flat	Red	72	V DC	18.5	3100
556-1606-304F	Flat	Green	72	V DC	16	3100
556-1706-304F	Flat	Yellow	72	V DC	20	1700
556-1806-304F	Flat	Blue	72	V DC	18.5	1700
556-1007-304F	Flat	White	125	V DC	10.5	3100
556-1507-304F	Flat	Red	125	V DC	10	1200
556-1607-304F	Flat	Green	125	V DC	10	1700
556-1707-304F	Flat	Yellow	125	V DC	10	1200
556-1005-304F	Flat	White	125	V AC	11	3100
556-1505-304F	Flat	Red	125	V AC	10.5	2000
556-1605-304F	Flat	Green	125	V AC	9.5	3100
556-1685-304F	Flat	Cyan	125	V AC	9.5	3100
556-1705-304F	Flat	Yellow	125	V AC	10.5	2000
556-1805-304F	Flat	Blue	125	V AC	9.5	860
556-1905-304F	Flat	Orange	125	V AC	10.5	860
556-1009-304F	Flat	White	230	V AC	6	3100
556-1509-304F	Flat	Red	230	V AC	7	2000
556-1609-304F	Flat	Green	230	V AC	7	3100
556-1709-304F	Flat	Yellow	230	V AC	7	2000
556-1809-304F	Flat	Blue	230	V AC	7	860
556-1909-304F	Flat	Orange	230	V AC	7	3100

*For domed lens style: replace 4th digit with "3" for example: 556-3003-324F

557 Series

Daylight Viewable Panel Mount Indicators



Application:

The 557 Series LED Panel Mount Indicators incorporate both InGaN and AlInGaP technologies to offer higher intensities. This is a highly durable package, designed to withstand out-door applications susceptible to rain, dust, and sunlight.

- Instrument panels
- Safety applications
- Transportation - rail, bus, airline
- Vending, gaming
- Lane control

and many more!

Certifications & Ratings

- RoHS Compliant
- Watertight to Mil-L-3661B spec

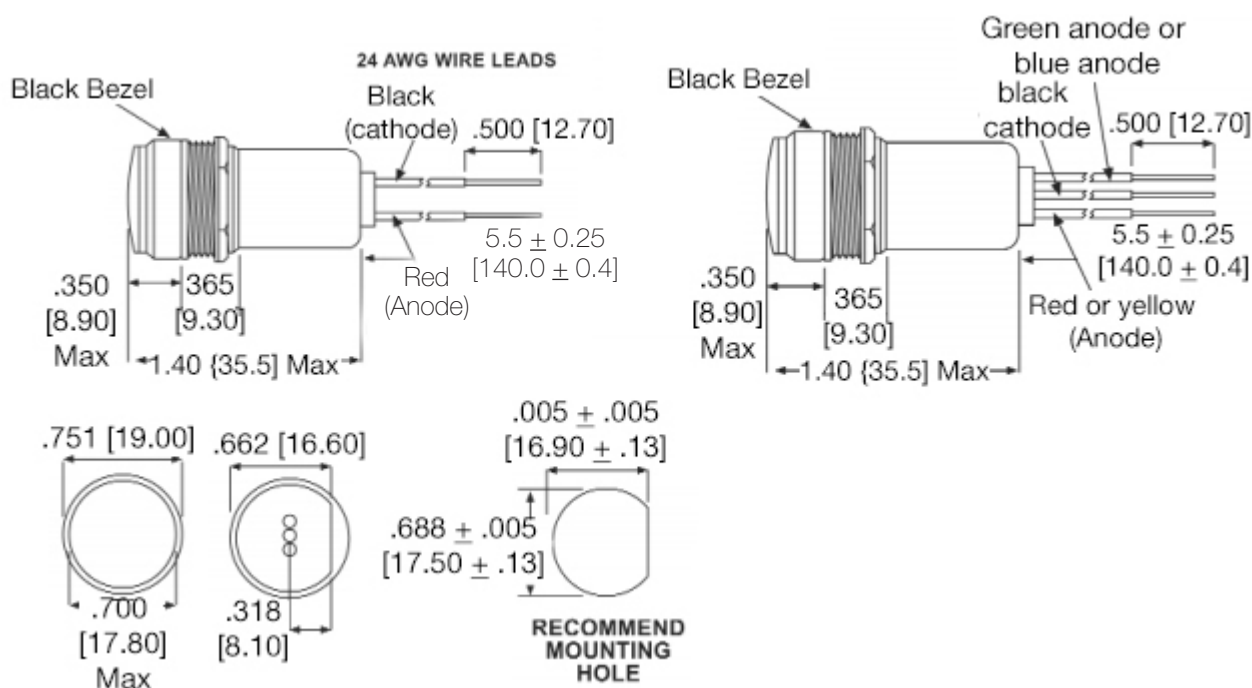
Mechanical information

Mounting Hole Size:	0.687" (17.46mm)
Max Panel Thickness:	0.156" (3.96 mm)
Mounting Torque:	15 in-lbs torque

Specifications

Voltage Options:	5, 12, 24, and 28V DC (Bi-color: 5V DC)	Lens Material:	Transparent Polycarbonate (UL 94V-0)
Operating Temp:	-25°C to +85°C (Bi-color: -30°C to +80°C)	Wire Leads:	6"
Storage Temp:	-30°C to +100°C (Bi-color: -40°C to +85°C)	Lock Washer:	Phosphor Bronze – White Nickel Plated
Electrical Connection:	24 AWG Wire Leads	Nut:	Brass – White Nickel Plated
Housing:	White Polycarbonate		

Dimensions



557 Series

Ordering Information

Part Number	Color	Voltage (V DC)	Current (mA)	Typical Intensity (mcd)
557-1502-203F	Red	5	80	1020
557-1602-203F	Green	5	16	3270
557-1702-203F	Yellow	5	80	1430
557-1802-203F	Blue	5	16	1020
557-1002-203F	White	5	16	2860
557-1412-203F	Red/Green	5	70/16	810/1220
557-1422-203F	Red/Blue	5	70/16	610/400
557-1432-203F	Yellow/Green	5	70/16	1630 / 2250
557-1442-203F	Yellow/Blue	5	70/16	810 / 610
557-1452-203F	Yellow/Red	5	70/20	610 / 810
557-1503-203F	Red	12	20	1020
557-1603-203F	Green	12	16	3270
557-1703-203F	Yellow	12	20	1430
557-1803-203F	Blue	12	16	1020
557-1003-203F	White	12	16	2860
557-1505-203F	Red	24	20	1020
557-1605-203F	Green	24	16	3270
557-1705-203F	Yellow	24	20	1430
557-1805-203F	Blue	24	16	1020
557-1005-203F	White	24	16	2860
557-1604-203F	Green	28	16	3270
557-1704-203F	Yellow	28	20	1430
557-1804-203F	Blue	28	16	1020

558 Series

Snap-in LED - .156" (3.96mm) Mounting Hole Panel Mount Indicators



Application:

Dialight's 558 series LED panel mount indicator is available with a variety of LEDs including AlInGaP and InGaN technology for high brightness applications, bicolor and integral resistors. These indicators are designed for a variety of applications such as:

- Fan tray assemblies
- Datacenter Infrastructure (Servers and Storage)
- Networking Equipment (Switches and routers)
- Storage Networking Hardware (Fibre channel host bus adapter cards)
- Next-Gen Wireless Infrastructure
- Electronic Test & Measurement Instruments
- Communications Testing Equipment

and many more!

Certifications & Ratings

- RoHS Compliant

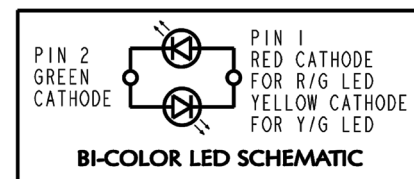
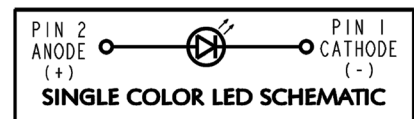
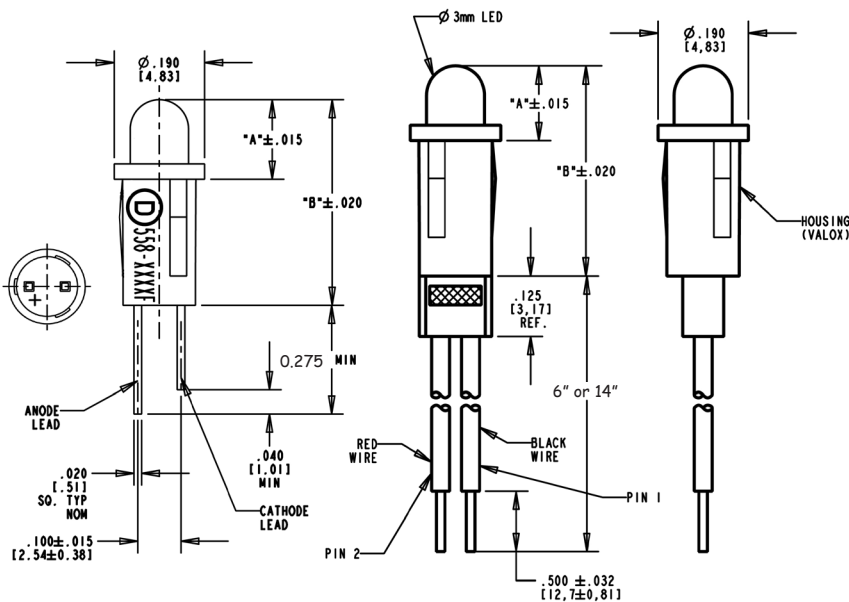
Mechanical information

Mounting Hole Size:	0.155-0.158" (3.94-4.01mm)
Max Panel Thickness:	0.031 - 0.062" (.787 - 1.57 mm)
Mounting Torque:	N / A

Specifications

Voltage Options:	1.8 - 3.3 V DC typical, 5 V DC typical (resistor included)	Connectors	Available upon request
Operating Temp:	See table	Possible Connectors:	Samtec IPD1-05-S-K
Storage Temp:	-55°C to +100°C (-67°F to +212°F)	Terminals	Available upon request
Electrical Connection:	Straight terminals for wire wrapping or 24 AWG lead wire	Possible Terminals:	Samtec CC79L-260-01-S; AMP 1-104480-3
Housing:	UL94V-0 and enhances LED contrast		

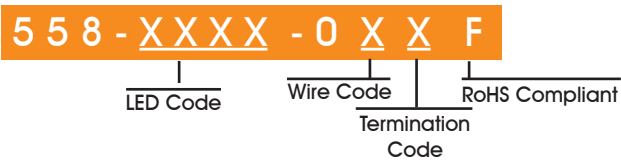
Dimensions



Dimension are in Inches [mm]

558 Series

Ordering Information



Wire Code	Wire Type
0	Standard
2	PVC Free

Termination Code	Termination Type
1	Straight Terminals
3	26 AWG 6" wire leads
7	26 AWG 14" wire leads

LED Code	Color	Peak Wavelength (nm)	Intensity Typ. (mcd)	If Typ. (mA)	Vf Typ. (V DC)	Viewing Angle	Max DC Forward Current (mA)	Type	Operating Temp	DIM "A"	DIM "B"
0102	Red	635	29	12	5	60	15	5V Integral Resistor	-40°C to +85°C	0.101	0.381
0202	Green	565	19	12	5	60	15	5V Integral Resistor	-40°C to +85°C	0.101	0.381
0302	Yellow	585	12.6	12	5	60	15	5V Integral Resistor	-40°C to +85°C	0.101	0.381
3001	Red/ Green	630/565	5.6/8.7 @10mA	10/20	1.9/2.0 @20mA	200	30/30	Bi-Color	-55°C to +100°C	0.101	0.381
3101	Red/ Green	660/565	12.6/3.7	20	1.6/2.1	200	40/30	Bi-Color	-55°C to +100°C	0.101	0.381
3201	Yellow/ Green	585/565	5.8/12.3	10	2.1/2.1	80	20/30	Bi-Color	-55°C to +100°C	0.101	0.381
0101	Red	635	8.7	10	2	60	30	High Efficiency Diffused	-25°C to +85°C	0.111	0.391
0201	Green	565	12.6	10	2.1	60	30	High Efficiency Diffused	-25°C to +85°C	0.111	0.391
0301	Yellow	585	8.7	10	2.1	60	20	High Efficiency Diffused	-25°C to +85°C	0.111	0.391
0401	Orange	600	7	10	1.9	60	25	High Efficiency Diffused	-55°C to +85°C	0.101	0.381
1801	Red	660	60	20	1.8	60	40	High Efficiency Diffused	-55°C to +100°C	0.101	0.381
0803	Blue	468	57	10	3.2	100	30	Low Current Diffused	-40°C to +100°C	0.107	0.387
1101	Red	635	2.4	2	1.7	60	7	Low Current Diffused	-40°C to +100°C	0.101	0.381
1201	Yellow	585	1.4	2	1.8	60	7	Low Current Diffused	-55°C to +100°C	0.101	0.381
1301	Green	565	1.6	2	1.9	60	7	Non-Tinted/Non-Diffused	-55°C to +100°C	0.101	0.381
0501	Green	565	70	20	2.1	45	30	Non-Tinted/Non-Diffused	-40°C to +100°C	0.101	0.381
0601	Yellow	592	200	20	1.9	45	50	Non-Tinted/Non-Diffused	-40°C to +100°C	0.101	0.381
0701	Red	660	170	20	1.8	45	40	Non-Tinted/Non-Diffused	-40°C to +85°C	0.101	0.381
6003	Blue	468	520	20	3.3	45	30	Non-Tinted/Non-Diffused	-40°C to +85°C	0.101	0.381
6403	White	Y=.31 Y=.32	3000	20	3.3	45	30	Non-Tinted/Non-Diffused	-40°C to +85°C	0.101	0.381
1501	Green	565	40	10	2.1	45	30	Tinted/Non-Diffused	-55°C to +100°C	0.101	0.381
1601	Yellow	585	70	20	2.1	45	20	Tinted/Non-Diffused	-55°C to +100°C	0.101	0.381
1701	Red	660	170	20	1.8	45	40	Tinted/Non-Diffused	-40°C to +100°C	0.101	0.381
6203	Green	518	85	2	2.1	100	30	White Diffused	-45°C to +85°C	0.101	0.381

559 Series

Snap-in LED - .250" (6.35mm) Mounting Hole Panel Mount Indicators



Application:

Dialight's 559 series LED panel mount indicator is available with a variety of LEDs including AlInGaP and InGaN technology for high brightness applications, bi-color and integral resistors.

- Fan tray assemblies
- Data-center Infrastructure (Servers and Storage)
- Next-Gen Wireless Infrastructure
- Electronic Test & Measurement Instruments
- Communications Testing Equipment
- Handheld Devices

and many more!

Certifications & Ratings

- RoHS Compliant

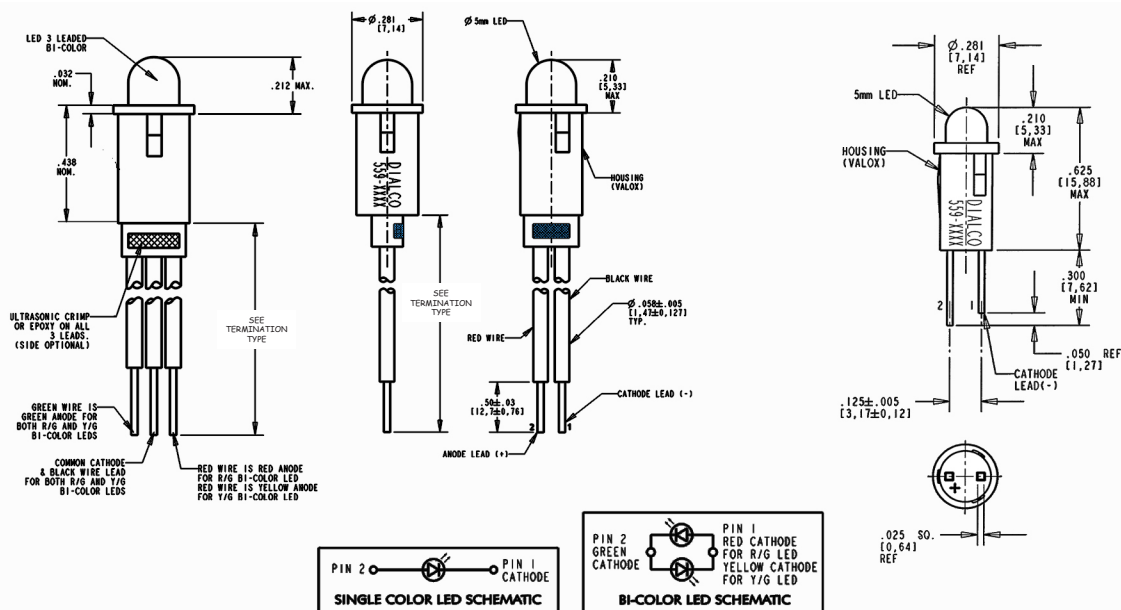
Mechanical information

Mounting Hole Size:	0.249 - 0.252" (6.32 - 6.40 mm)
Max Panel Thickness:	0.031 - 0.062" (.787 - 1.57 mm)
Mounting Torque:	N/A

Specifications

Voltage Options:	1.6 - 2.3 V DC typical (current limiting resistor required)	Wire Leads:	6" or 14"
	5, 12, 24V DC (resistor included)	Connectors	Available upon request
Operating Temp:	See table	Possible Connectors:	Molex 50-37-5033, 50-57-9202 AMP 3-643814-3
Storage Temp:	-55°C to +100°C (-67°F to +212°F)	Terminals:	Available upon request
Electrical Connection:	Straight terminals for wire wrapping or 24 AWG lead wire	Possible Terminals:	Molex 18-07-1040, 16-02-0069, 16-02-077 AMP 42067-1
Housing:	Black - UL94V-0 and enhances LED contrast		

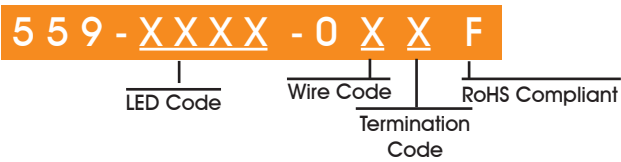
Dimensions



Dimension are in Inches [mm]

559 Series

Ordering Information



Wire Code	Wire Type
0	Standard
2	PVC Free

Termination Code	Termination Type
1	Straight Terminals
3	24 AWG 6" wire leads
7	24 AWG 14" wire leads

LED Code	Color	Peak Wavelength (nm)	Intensity Typ. (mcd)	If Typ. (mA)	Vf Typ. (V DC)	Viewing Angle	Max DC Forward Current (mA)	Type	Operating Temp
5501	Red	635	125	20	2.2	24	30	Non-Tinted/Non-Diffused	-55°C to +100°C
5601	Green	565	120	20	2.3	24	30	Non-Tinted/Non-Diffused	-20°C to +100°C
5701	Yellow	583	140	20	2.1	24	20	Non-Tinted/Non-Diffused	-55°C to +100°C
5801	Orange	605	90	20	2.2	20	50	Non-Tinted/Non-Diffused	-30°C to +85°C
5901	Yellow	592	3100	20	2	15	50	Non-Tinted/Non-Diffused	-40°C to +100°C
6001	Blue	470	1500	20	3.6	30	30	Non-Tinted/Non-Diffused	-30°C to +85°C
6101	Red	635	2100	20	1.9	15	50	Non-Tinted/Non-Diffused	-40°C to +100°C
6201	Green	525	5000	20	3.2	30	30	Non-Tinted/Non-Diffused	-30°C to +85°C
6301	Orange	609	4000	20	1.9	15	50	Non-Tinted/Non-Diffused	-40°C to +100°C
6401	White	X=.31 Y=.32	2500	20	3.2	50	30	Non-Tinted/Non-Diffused	-30°C to +85°C
1101	Red	635	2.3	2	1.7	50	7	Low Current Diffused	-55°C to +100°C
1201	Yellow	583	1.8	2	1.9	50	7	Low Current Diffused	-55°C to +100°C
1301	Green	565	1.8	2	1.8	50	7	Low Current Diffused	-55°C to +100°C
2101	Red	650	6.3	10	2.2	50	20	Diffused	-25°C to +85°C
2201	Green	563	10	10	2.1	65	25	Diffused	-25°C to +85°C
2301	Yellow	585	29	10	1.9	50	20	Diffused	-55°C to +100°C
2501	Orange	600	7	10	1.9	60	30	Diffused	-55°C to +100°C
5101	Red	650	34	20	2.1	50	25	Diffused	-55°C to +100°C
5201	Green	563	34	20	2.2	50	25	Diffused	-55°C to +100°C
5301	Yellow	585	34	20	2.2	50	25	Diffused	-55°C to +100°C
5401	Orange	610	34	20	2.2	50	25	Diffused	-20°C to +85°C
0102	Red	635	8	10	5	60	15	5V Integral Resistor	-40°C to +85°C
0202	Green	565	8	12	5	60	15	5V Integral Resistor	-20°C to +85°C
0302	Yellow	583	8	10	5	60	15	5V Integral Resistor	-40°C to +85°C
0103	Red	635	8	13	12	60	15	12V Integral Resistor	-55°C to +100°C
0203	Green	565	8	13	12	60	15	12V Integral Resistor	-20°C to +85°C
0303	Yellow	583	8	13	12	60	15	12V Integral Resistor	-40°C to +85°C
5904	Yellow	592	3100	20	24	15	50	24V Integral Resistor	-30°C to +85°C
6104	Red	635	2100	20	24	15	50	24V Integral Resistor	-30°C to +85°C
5204	Green	525	5000	20	24	30	50	24V Integral Resistor	-30°C to +85°C
3001	Red/Green	660/565	90/40	20	1.8/2.1	60	40/30	2 leaded Bi-color	-55°C to +100°C
3201	Yellow/Green	585/565	12.6/19	20	2.1/2.1	50	20/30	2 leaded Bi-color	-55°C to +100°C
3501	Red/Green	635/565	5.0/8.0	10	2.1/2.3	65	30	3 leaded Bi-color	-20°C to +85°C
3601	Yellow/Green	590/568	9/13.5	10	2/2.1	65	30	3 leaded Bi-color	-20°C to +85°C

605 Series

5mm Panel Mount Indicator



Application:

The 605 Series LED Panel Mount Indicators are designed for a variety of applications such as:

- Main power indication
- Remote power indication
- Status indication
- Maintenance and warning indication
- Instrumentation

and many more!

Certifications & Ratings

- RoHS Compliant

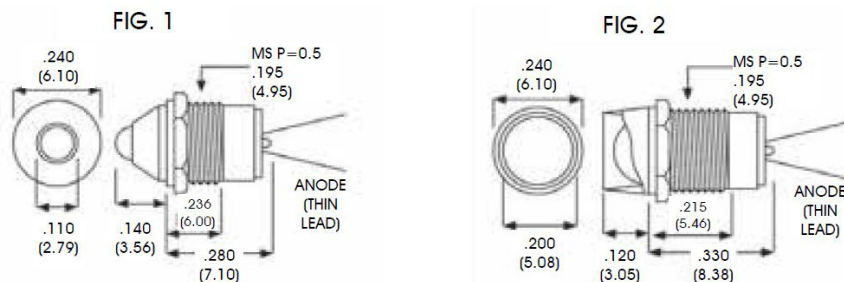
Mechanical information

Mounting Hole Size:	0.2047" (5.2 mm)
Max Panel Thickness:	0.138" (3.5 mm)
Mounting Torque:	0.362 lbs/ft (5 kg/cm) torque

Specifications

Voltage Options:	2 V DC (current limiting resistor required)	Housing:	Chrome plated brass
Operating temp:	-25°C to +85°C (-13°F to +185°F)	Terminals:	Copper-Nickel Plated
Storage Temp:	-25°C to +100°C (-13°F to +212°F)	Lock washer:	Iron-Nickel Plated
Electrical Connection:	Through hole leads	Nut:	Brass-Nickel Plated

Dimensions



Dimension are in Inches [mm]

Part Number	Color	Voltage (V DC)	Current (mA)	Typical Intensity (mcd)	Led Position	Finish	Figure
605-1111-110F	Red	2	15	38	Protruding	Chrome	1
605-1211-110F	Green	2	15	72	Protruding	Chrome	1
605-1311-110F	Yellow	2	15	53	Protruding	Chrome	1
605-2111-110F	Red	2	15	38	Recess	Chrome	2
605-2211-110F	Green	2	15	72	Recess	Chrome	2
605-2311-110F	Yellow	2	15	53	Recess	Chrome	2

606 Series

6mm Panel Mount Indicators



Application:

The 606 Series LED Panel Mount Indicators are designed for a variety of applications such as:

- Main power indication
- Remote power indication
- Status indication
- Maintenance and warning indication
- Instrumentation

and many more!

Certifications & Ratings

- RoHS Compliant

Mechanical information

Mounting Hole Size:	0.248" (6.3 mm)
Max Panel Thickness:	0.138" (3.5 mm)
Mounting Torque:	0.362 lbs/ft (5 kg/cm) torque

Specifications

Voltage Options:	2 V DC (resistor required) 6 and 12 V DC - Bi-color (no resistor required)	Housing:	Chrome plated brass
Operating Temp:	-25°C to +85°C (-13°F to +185°F)	Terminals:	Through hole leads
Storage Temp:	-25°C to +100°C (-13°F to +212°F)	Wire Leads:	6" on Bi-color only
Electrical Connection:	Through hole and 24AWG wire leads (Bi-color only)	Lock Washer:	Iron-Nickel Plated
		Nut:	Brass-Nickel Plated

Dimensions

FIG. 1

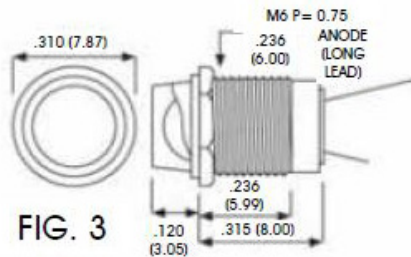
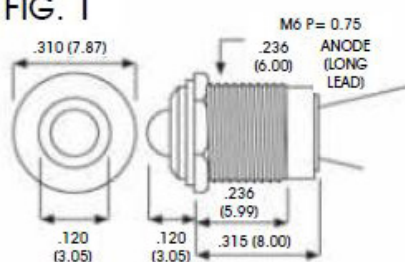


FIG. 2

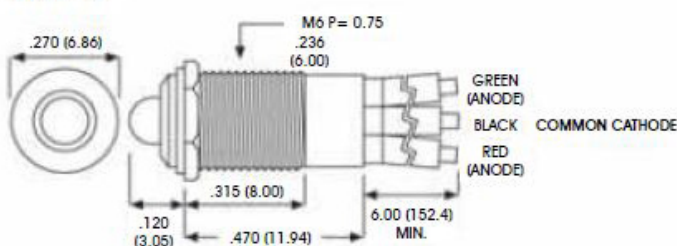
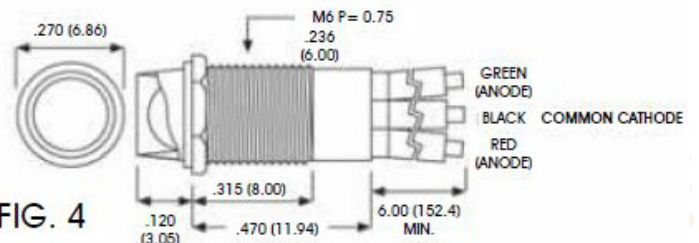


FIG. 4



Dimension are in Inches [mm]

606 Series

Ordering Information

Part Number	Color	Voltage (V DC)	Current (mA)	Typical Intensity* (mcd)	LED Position	Finish	Figure
606-1111-110F	Red	2	5	8	Protruding	Chrome	1
606-1211-110F	Green	2	15	30	Protruding	Chrome	1
606-1311-110F	Yellow	2	15	30	Protruding	Chrome	1
606-1215-110F	Green	2	15	30	Protruding	Chrome	1 w/ Wire Leads
606-1415-110F	Red/Green	2	10	35/18	Protruding	Chrome	2
606-1415-120F	Red/Green	6	10	35/18	Protruding	Chrome	2
606-1415-130F	Red/Green	12	10	35/18	Protruding	Chrome	2
606-2111-110F	Red	2	5	8	Recess	Chrome	3
606-2211-110F	Green	2	15	30	Recess	Chrome	3
606-2311-110F	Yellow	2	15	30	Recess	Chrome	3
606-2415-110F	Red/Green	2	10	35/18	Recess	Chrome	4
606-2415-120F	Red/Green	6	10	35/18	Recess	Chrome	4
606-2415-130F	Red/Green	12	10	35/18	Recess	Chrome	4

*Bi-color intensity (RED/GREEN)

607 Series

7mm Panel Mount Indicators



Application:

The 607 Series LED Panel Mount Indicators are designed for a variety of applications such as:

- Main power indication
- Remote power indication
- Status indication
- Maintenance and warning indication
- Instrumentation

and many more!

Certifications & Ratings

- RoHS Compliant
- NEMA 4X/IP66 (Water tight version only)

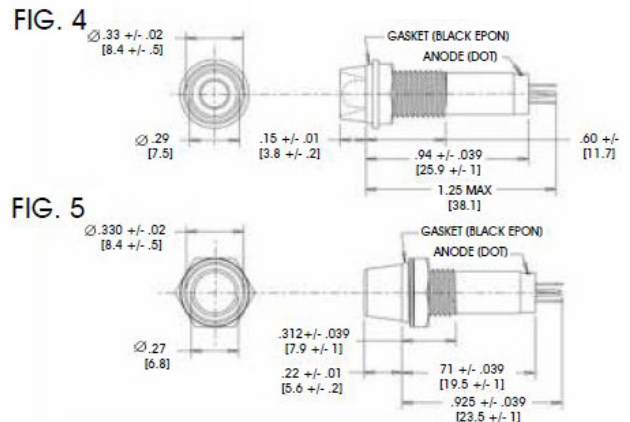
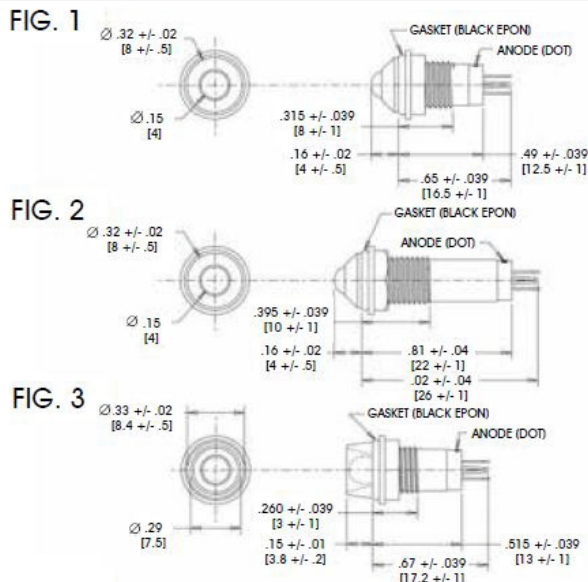
Mechanical information

Mounting Hole Size:	0.283" (7.2 mm)
Max Panel Thickness:	See part numbers
Mounting Torque:	0.362 lbs/ft (5 kg/cm) 0.217 lbs/ft or 3 kg/cm (Figure 5 only)

Specifications

Voltage Options:	2 V DC (resistor required); 6, 12 & 24 V DC (no resistor required)	Housing:	Protruding & recessed positions: Chrome plated brass; internal position: Polycarbonate
Operating Temp:	-30°C to +85°C (-22°F to +185°F)	Terminals:	Copper-Nickel Plated
Storage Temp:	-40°C to +85°C (-40°F to +185°F)	Lock Washer:	Iron-Nickel Plated
Electrical Connection:	Solder terminals	Nut:	Brass-Nickel Plated

Dimensions



Dimension are in Inches [mm]

607 Series

Ordering Information

Part Number	Color	Voltage (V DC)	Current (mA)	Intensity Typ. (mcd)	LED Positions	Figure	Panel Thickness	
Standard Versions								
607-1112-110F	Red	2	15	22	Protuding	1	0.187" (4.75mm)	
607-1212-110F	Green	2	15	50	Protuding	1		
607-1312-110F	Yellow	2	15	66	Protuding	1		
607-1112-120F	Red	6	15	22	Protuding	2	0.265" (6.75mm)	
607-1212-120F	Green	6	15	50	Protuding	2		
607-1312-120F	Yellow	6	15	66	Protuding	2		
607-1112-130F	Red	12	15	22	Protuding	2		
607-1212-130F	Green	12	15	50	Protuding	2		
607-1312-130F	Yellow	12	15	66	Protuding	2	0.336" (8.50mm)	
607-2112-110F	Red	2	15	22	Recessed	3		
607-2212-110F	Green	2	15	50	Recessed	3		
607-2312-110F	Yellow	2	15	66	Recessed	3		
607-2112-120F	Red	6	15	22	Recessed	4		
607-2212-120F	Green	6	15	50	Recessed	4		
607-2312-120F	Yellow	6	15	66	Recessed	4		
607-2112-130F	Red	12	15	22	Recessed	4		
607-2212-130F	Green	12	15	50	Recessed	4		
607-2312-130F	Yellow	12	15	66	Recessed	4		
607-3132-120F	Red	6	15	20	Internal	5		0.187" (4.75mm)
607-3232-120F	Green	6	15	45	Internal	5		
607-3332-120F	Yellow	6	15	60	Internal	5		
607-3132-130F	Red	12	15	20	Internal	5		
607-3232-130F	Green	12	15	45	Internal	5		
607-3332-130F	Yellow	12	15	60	Internal	5		
607-3132-140F	Red	24	15	20	Internal	5		
607-3232-140F	Green	24	15	45	Internal	5		
607-3332-140F	Yellow	24	15	60	Internal	5		

*For watertight versions: replace 8th digit with "3". For example: 607-1112-301F

608 Series

8mm Panel Mount Indicators



Application:

The 608 Series LED Panel Mount Indicators are designed for a variety of applications such as:

- Main power indication
- Remote power indication
- Status indication
- Maintenance and warning indication
- Instrumentation

and many more!

Certifications & Ratings

- RoHS Compliant

Mechanical information

Mounting Hole Size:	0.327" (8.3 mm) (Fig. 1 & 2);
	0.335" (8.5 mm) (Fig. 3 & 4)
Max Panel Thickness:	See part numbers
Mounting Torque:	0.217 lbs/ft or 3 kg/cm (Fig. 1 & 2 only)

Specifications

Voltage Options:	2 V DC (resistor required);	Housing:	Polycarbonate
	6, 12 & 24 V DC (no resistor required)	Terminals:	Copper-Nickel Plated
Operating Temp:	-25°C to +85°C (-13°F to +185°F)	Lock Washer:	Iron-Nickel Plated
Storage Temp:	-25°C to +85°C (-13°F to +185°F)	Nut:	Brass-Nickel Plated
Electrical Connection:	Leads (Fig. 1 & 2), Solder terminals (Fig. 3 & 4)		

Dimensions

FIGURE 1

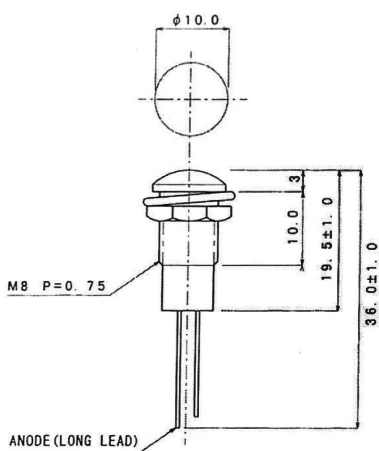


FIGURE 2

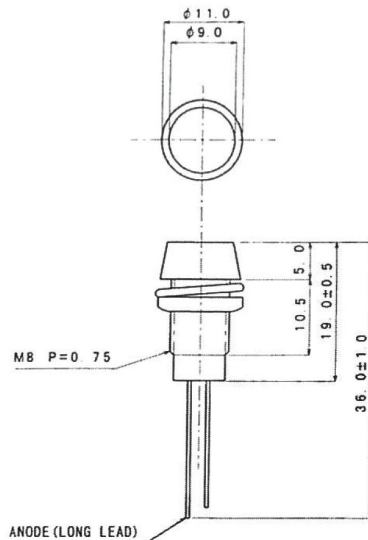
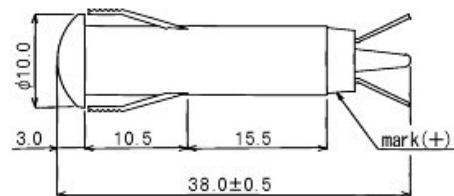
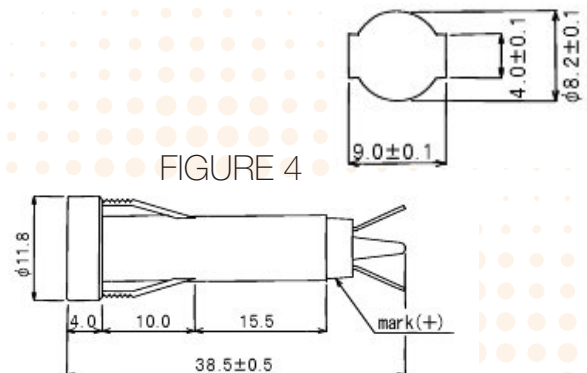


FIGURE 3



FOR BOTH FIGURES 4 & 5

FIGURE 4



Dimension are in Inches [mm]

608 Series

Ordering Information

Part Number	Color	Voltage (V DC)	Current (mA)	Typical Intensity (mcd)	Figure	Panel Thickness
Lock Washer & Nut						
608-1131-110F	Red	2	15	20	1	0.236" (6mm)
608-1231-110F	Green	2	15	15	1	
608-1331-110F	Yellow	2	15	4	1	
608-3131-110F	Red	2	15	20	2	
608-3231-110F	Green	2	15	15	2	
608-3331-110F	Yellow	2	15	4	2	
Snap-Fit						
608-1132-220F	Red	6	15	60	3	0.197" (5mm)
608-1232-220F	Green	6	15	110	3	
608-1332-220F	Yellow	6	15	90	3	
608-1132-230F	Red	12	15	60	3	
608-1232-230F	Green	12	15	110	3	
608-1332-230F	Yellow	12	15	90	3	
608-1132-240F	Red	24	15	60	3	
608-1232-240F	Green	24	15	110	3	
608-1332-240F	Yellow	24	15	90	3	
608-2132-220F	Red	6	15	60	4	
608-2232-220F	Green	6	15	110	4	
608-2332-220F	Yellow	6	15	90	4	
608-2132-230F	Red	12	15	60	4	
608-2232-230F	Green	12	15	110	4	
608-2332-230F	Yellow	12	15	90	4	
608-2132-240F	Red	24	15	60	4	
608-2232-240F	Green	24	15	110	4	
608-2332-240F	Yellow	24	15	90	4	

609 Series

9mm Panel Mount Indicators



Application:

The 609 Series LED Panel Mount Indicators are designed for a variety of applications such as:

- Main power indication
- Remote power indication
- Status indication
- Maintenance and warning indication
- Instrumentation

and many more!

Certifications & Ratings

- RoHS Compliant
- NEMA 4X
- IP66 (water tight models only)

Mechanical information

Mounting Hole Size:	0.368" (9.35 mm)
Max Panel Thickness:	0.378" (9.5 mm); with Gasket: 0.318" (8.0 mm)
Mounting Torque:	0.362 lbs/ft (5 kg/cm)

Specifications

Voltage Options:	6, 12 & 24 V DC (no resistor required)	Housing:	Chrome or black plated brass
Operating Temp:	-30°C to +85°C (-22°F to +185°F)	Terminals:	Copper-Nickel Plated
Storage Temp:	-40°C to +85°C (-40°F to +185°F)	Lock Washer:	Iron-Nickel Plated
Electrical Connection:	Solder terminals	Nut:	Brass-Nickel Plated

Dimensions

FIG. 1

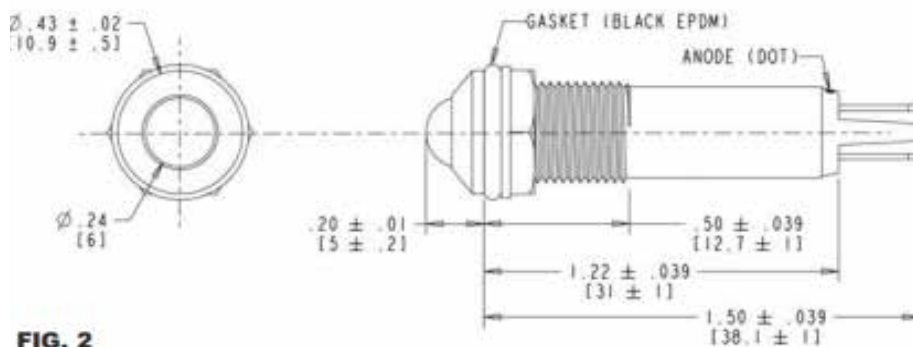
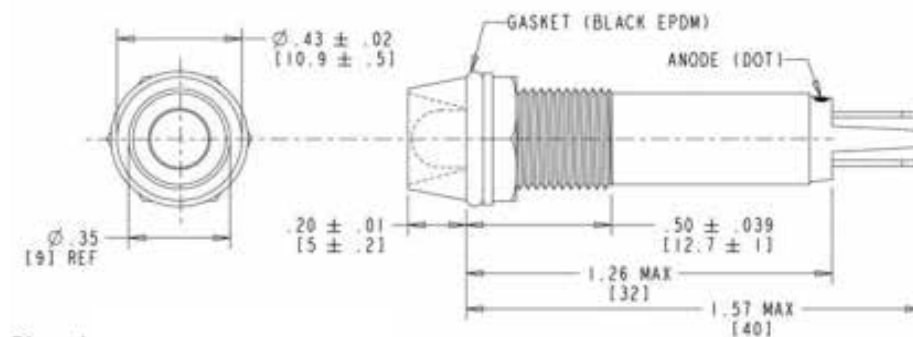


FIG. 2



Dimension are in Inches [mm]

609 Series

Ordering Information

Part Number*	Color	Voltage (V DC)	Current (mA)	Intensity Typ. (mcd)	LED Position	Figure
Standard Models						
609-1122-120F	Red	6	15	60	Protruding	1
609-1222-120F	Green	6	15	110	Protruding	1
609-1322-120F	Yellow	6	15	90	Protruding	1
609-1122-130F	Red	12	15	60	Protruding	1
609-1222-130F	Green	12	15	110	Protruding	1
609-1322-130F	Yellow	12	15	90	Protruding	1
609-1122-140F	Red	24	15	60	Protruding	1
609-1222-140F	Green	24	15	110	Protruding	1
609-1322-140F	Yellow	24	15	90	Protruding	1
609-2122-120F	Red	6	15	60	Recessed	2
609-2222-120F	Green	6	15	110	Recessed	2
609-2322-120F	Yellow	6	15	90	Recessed	2
609-2122-130F	Red	12	15	60	Recessed	2
609-2222-130F	Green	12	15	110	Recessed	2
609-2322-130F	Yellow	12	15	90	Recessed	2
609-2122-140F	Red	24	15	60	Recessed	2
609-2222-140F	Green	24	15	110	Recessed	2
609-2322-140F	Yellow	24	15	90	Recessed	2
Watertight Models						
609-1122-320F	Red	6	15	60	Protruding	1
609-1222-320F	Green	6	15	110	Protruding	1
609-1322-320F	Yellow	6	15	90	Protruding	1
609-1122-330F	Red	12	15	60	Protruding	1
609-1222-330F	Green	12	15	110	Protruding	1
609-1322-330F	Yellow	12	15	90	Protruding	1
609-1122-340F	Red	24	15	60	Protruding	1
609-1222-340F	Green	24	15	110	Protruding	1
609-1322-340F	Yellow	24	15	90	Protruding	1
609-2122-320F	Red	6	15	60	Recessed	2
609-2222-320F	Green	6	15	110	Recessed	2
609-2322-320F	Yellow	6	15	90	Recessed	2
609-2122-330F	Red	12	15	60	Recessed	2
609-2222-330F	Green	12	15	110	Recessed	2
609-2322-330F	Yellow	12	15	90	Recessed	2
609-2122-340F	Red	24	15	60	Recessed	2
609-2222-340F	Green	24	15	110	Recessed	2
609-2322-340F	Yellow	24	15	90	Recessed	2

*Part numbers are black nickel plated

*Also available in chrome-plated brass housing by inserting a "1" into the 6th position Ex: 609-1112-120F

610 Series

10mm Panel Mount Indicators



Application:

The 610 Series LED Panel Mount Indicators are designed for a variety of applications such as:

- Main power indication
- Remote power indication
- Status indication
- Maintenance and warning indication
- Instrumentation

and many more!

Certifications & Ratings

- RoHS Compliant

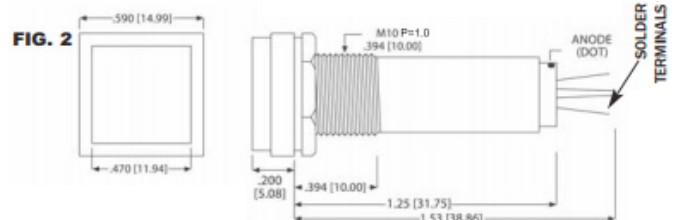
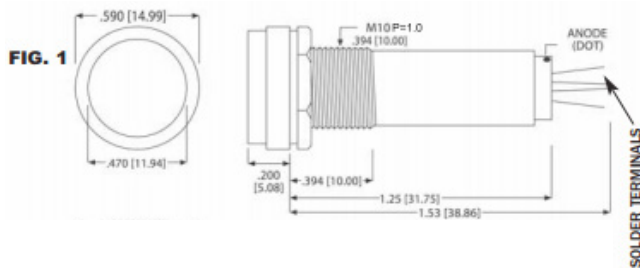
Mechanical information

Mounting Hole Size:	0.406" (10.3 mm)
Max Panel Thickness:	0.236" (6.0 mm)
Mounting Torque:	0.217 lbs/ft (3 kg/cm)

Specifications

Voltage Options:	6V DC (no resistor required)	Housing:	Polycarbonate
Operating Temp:	-25°C to +85°C (-13°F to +185°F)	Terminals:	Copper-Nickel Plated
Storage Temp:	-40°C to +100°C (-40°F to +212°F)	Lock Washer:	Iron-Nickel Plated
Electrical Connection	Solder terminals	Nut:	Brass-Nickel Plated

Dimensions



Dimension are in Inches [mm]

Part Number	Color	Voltage (V DC)	Current (mA)	Intensity Typ. (mcd)	LED Shape	Housing	Figure
610-3132-120F	Red	6	15	60	Round	Polycarbonate	1
610-3232-120F	Green	6	15	110	Round	Polycarbonate	1
610-3332-120F	Yellow	6	15	90	Round	Polycarbonate	1
610-4132-120F	Red	6	15	60	Square	Polycarbonate	2
610-4232-120F	Green	6	15	110	Square	Polycarbonate	2
610-4332-120F	Yellow	6	15	90	Square	Polycarbonate	2

612 Series

12mm Panel Mount Indicators



Application:

The 612 Series LED Panel Mount Indicators are designed for a variety of applications such as:

- Main power indication
- Remote power indication
- Status indication
- Maintenance and warning indication
- Instrumentation

and many more!

Certifications & Ratings

- RoHS Compliant

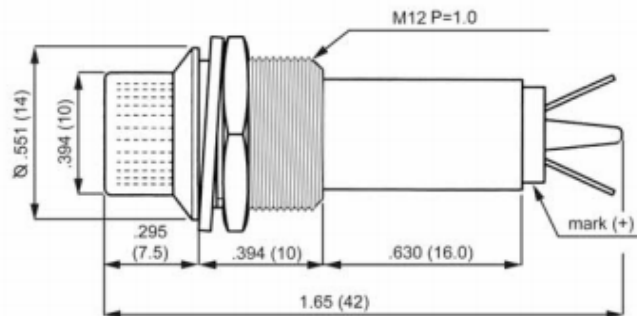
Mechanical information

Mounting Hole Size:	0.492" (12.5 mm)
Max Panel Thickness:	0.236" (6.3 mm)
Mounting Torque:	0.217 lbs/ft (3 kg/cm)

Specifications

Voltage Options:	6, 12, and 24V DC (no resistor required)	Housing:	Polycarbonate
Operating Temp:	-25°C to +85°C (-13°F to +185°F)	Terminals	Copper-Nickle Plated
Storage Temp:	-25°C to +100°C (-13°F to +212°F)	Lock Washer:	Iron-Nickle Plated
Electrical Connection:	Solder terminals	Nut:	Brass-Nickle Plated

Dimensions



Dimension are in Inches [mm]

Part Number	Color	Voltage (V DC)	Current (mA)	Intensity Typ. (mcd)
612-3132-120F	Red	6	15	60
612-3232-120F	Green	6	15	110
612-3332-120F	Yellow	6	15	90
612-3132-130F	Red	12	15	60
612-3232-130F	Green	12	15	110
612-3332-130F	Yellow	12	15	90
612-3132-140F	Red	24	15	60
612-3232-140F	Green	24	15	110
612-3332-140F	Yellow	24	15	90

616 Series

16mm Panel Mount Indicators



Application:

The 616 Series LED Panel Mount Indicators are designed for a variety of applications such as:

- Main power indication
- Remote power indication
- Status indication
- Maintenance and warning indication
- Instrumentation

and many more!

Certifications & Ratings

- RoHS compliant

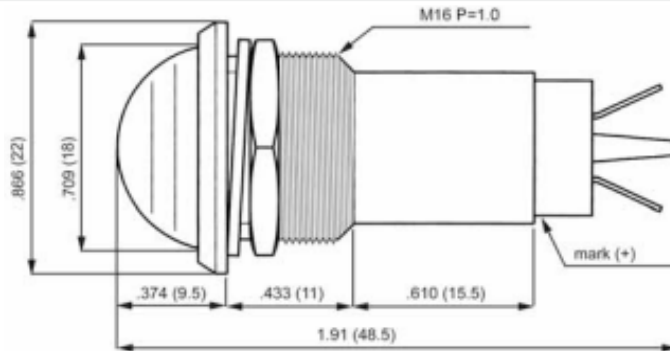
Mechanical information

Mounting Hole Size:	0.642" (16.3mm)
Max Panel Thickness:	0.236" (6.3 mm)
Mounting Torque:	0.217 lbs/ft (3 kg/cm)

Specifications

Voltage Options:	6, 12, and 24V DC (no resistor required)	Housing:	Polycarbonate
Operating Temp:	-25°C to +85°C (-13°F to +185°F)	Terminals:	Copper-Nickel Plated
Storage Temp:	-25°C to +100°C (-13°F to +212°F)	Lock Washer:	Iron-Nickel Plated
Electrical Connection:	Solder Terminals	Nut:	Brass-Nickel Plated

Dimensions



Dimension are in Inches [mm]

Part Number	Color	Voltage (V DC)	Current (mA)	Intensity Typ. (mcd)
616-1132-120F	Red	6	15	60
616-1232-120F	Green	6	15	110
616-1332-120F	Yellow	6	15	90
616-1132-130F	Red	12	15	60
616-1232-130F	Green	12	15	110
616-1332-130F	Yellow	12	15	90
616-1132-140F	Red	24	15	60
616-1232-140F	Green	24	15	110
616-1332-140F	Yellow	24	15	90

656 Series

High Intensity LED Panel Mount Indicators



Application:

The 656 Series LED Panel Mount Indicators are designed for a variety of applications such as:

- Safety Applications
- Instrument Panels
- Vending/Gaming
- Display Lighting
- Transportation - rail, bus, airline

and many more!

Certifications & Ratings

- UL1598: wire leads - UL listed; terminals - UL recognized
- NEMA 4X
- IP/67
- RoHS compliant - w/6C exemption

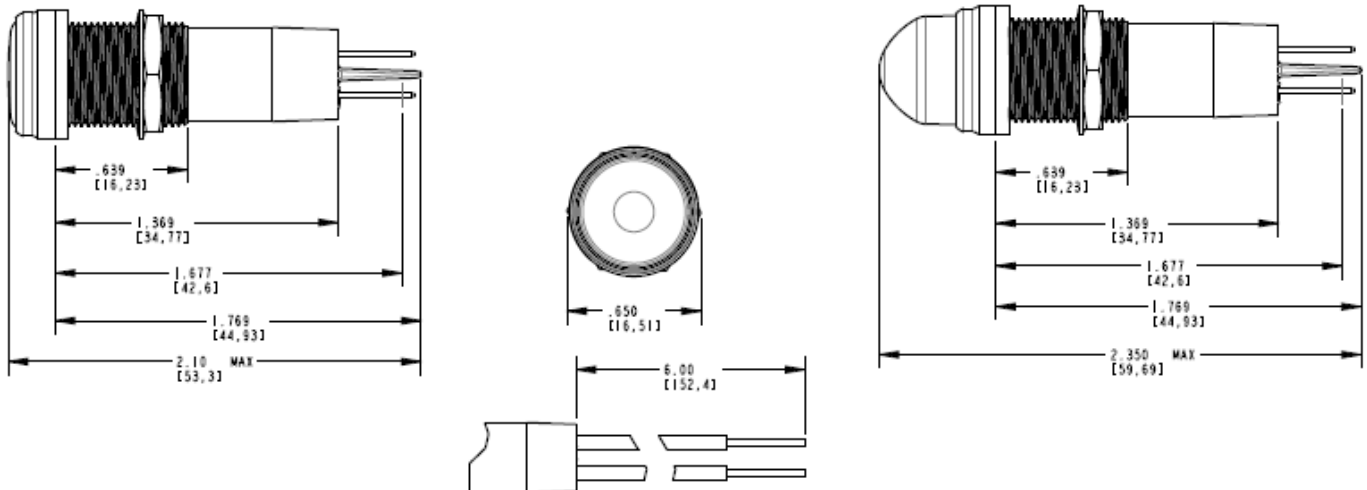
Mechanical information

Mounting Hole Size:	0.500" (12.7mm)
Max Panel Thickness:	0.450" (11.43mm)
Mounting Torque:	5 in-lbs

Specifications

Voltage Options:	5 to 125V DC and 125, 230V AC (Bi-color 5, 12, 24V DC)	Lens Material:	Transparent polycarbonate (UL 94V-0)
Operating Temp:	-30°C to +85°C (22°F to +185°F)	Wire Leads:	18 AWG
Storage Temp:	-40°C to +100°C (-40°F to +212°F)	Lock Washer:	White Nickel Plated Bronze
Electrical Connection:	110 Faston quick connect terminals or 6" wire leads	Nut:	White Nickel Plated Brass
Housing:	White Nickel Plated Brass, other plating options available		

Dimensions



Dimension are in Inches [mm]

656 Series

Ordering Information

Part Number	Lens Style	Color	Voltage	Voltage Type	Typ Current (mA)	Typical Intensity (mcd)
656-1002-303F	FLAT	WHITE	5	V DC	15	1510
656-1102-303F	FLAT	RED	5	V DC	16	1150
656-1202-303F	FLAT	GREEN	5	V DC	15	1600
656-1302-303F	FLAT	YELLOW	5	V DC	16	990
656-1402-303F	FLAT	BLUE	5	V DC	15	237
656-1122-303F	FLAT	RED/GREEN	5	V DC	11/8	330/910
656-1322-303F	FLAT	YELLOW/GREEN	5	V DC	11/8	320/864
656-1003-303F	FLAT	WHITE	12	V DC	18	1310
656-1103-303F	FLAT	RED	12	V DC	18	1100
656-1203-303F	FLAT	GREEN	12	V DC	16	1140
656-1303-303F	FLAT	YELLOW	12	V DC	18	880
656-1403-303F	FLAT	BLUE	12	V DC	16	290
656-1123-303F	FLAT	RED/GREEN	12	V DC	10/9	330/910
656-1323-303F	FLAT	YELLOW/GREEN	12	V DC	10/9	320/864
656-1004-303F	FLAT	WHITE	24	V DC	20	1310
656-1104-303F	FLAT	RED	24	V DC	20	1100
656-1204-303F	FLAT	GREEN	24	V DC	20	1140
656-1304-303F	FLAT	YELLOW	24	V DC	20	880
656-1404-303F	FLAT	BLUE	24	V DC	20	290
656-1124-303F	FLAT	RED/GREEN	24	V DC	11/10	330/910
656-1324-303F	FLAT	YELLOW/GREEN	24	V DC	11/10	320/864
656-1006-303F	FLAT	WHITE	28	V DC	19	1310
656-1106-303F	FLAT	RED	28	V DC	19	1100
656-1206-303F	FLAT	GREEN	28	V DC	18	1140
656-1306-303F	FLAT	YELLOW	28	V DC	19	880
656-1406-303F	FLAT	BLUE	28	V DC	18	290
656-1008-303F	FLAT	WHITE	37.5	V DC	8.5	400
656-1108-303F	FLAT	RED	37.5	V DC	8.5	230
656-1208-303F	FLAT	GREEN	37.5	V DC	8.5	450
656-1308-303F	FLAT	YELLOW	37.5	V DC	8.5	190
656-1408-303F	FLAT	BLUE	37.5	V DC	8.5	100
656-1007-303F	FLAT	WHITE	72	V DC	8.5	400
656-1107-303F	FLAT	RED	72	V DC	8.5	230
656-1207-303F	FLAT	GREEN	72	V DC	8.5	450
656-1307-303F	FLAT	YELLOW	72	V DC	8.5	190
656-1407-303F	FLAT	BLUE	72	V DC	8.5	100
656-1005-303F	FLAT	WHITE	120	V AC/DC	5	400
656-1105-303F	FLAT	RED	120	V AC/DC	5	230
656-1205-303F	FLAT	GREEN	120	V AC/DC	5	450
656-1305-303F	FLAT	YELLOW	120	V AC/DC	5	190
656-1405-303F	FLAT	BLUE	120	V AC/DC	5	100

*For blade terminals: replace the 10th digit with "4". For example: 656-1103-304F

Part Number	Lens Style	Color	Voltage	Voltage Type	Typ Current (mA)	Typical Intensity (mcd)
656-1009-303F	FLAT	WHITE	230	V AC	3	400
656-1109-303F	FLAT	RED	230	V AC	3	230
656-1209-303F	FLAT	GREEN	230	V AC	3	450
656-1309-303F	FLAT	YELLOW	230	V AC	3	190
656-1409-303F	FLAT	BLUE	230	V AC	3	100
656-3002-303F	DOME	WHITE	5	V DC	15	3080
656-3102-303F	DOME	RED	5	V DC	16	2200
656-3202-303F	DOME	GREEN	5	V DC	15	2880
656-3302-303F	DOME	YELLOW	5	V DC	16	1960
656-3402-303F	DOME	BLUE	5	V DC	15	600
656-3122-303F	DOME	RED/GREEN	5	V DC	11/8	490/1340
656-3322-303F	DOME	YELLOW/GREEN	5	V DC	11/8	480/430
656-3003-303F	DOME	WHITE	12	V DC	18	2340
656-3103-303F	DOME	RED	12	V DC	18	2000
656-3203-303F	DOME	GREEN	12	V DC	16	2110
656-3303-303F	DOME	YELLOW	12	V DC	18	1080
656-3403-303F	DOME	BLUE	12	V DC	16	640
656-3123-303F	DOME	RED/GREEN	12	V DC	10/9	490/1340
656-3323-303F	DOME	YELLOW/GREEN	12	V DC	10/9	480/430
656-3004-303F	DOME	WHITE	24	V DC	20	2340
656-3104-303F	DOME	RED	24	V DC	20	2000
656-3204-303F	DOME	GREEN	24	V DC	20	2110
656-3304-303F	DOME	YELLOW	24	V DC	20	1080
656-3404-303F	DOME	BLUE	24	V DC	20	640
656-3124-303F	DOME	RED/GREEN	24	V DC	11/10	490/1340
656-3324-303F	DOME	YELLOW/GREEN	24	V DC	11/10	480/430
656-3006-303F	DOME	WHITE	28	V DC	19	2340
656-3106-303F	DOME	RED	28	V DC	19	2000
656-3206-303F	DOME	GREEN	28	V DC	18	2110
656-3306-303F	DOME	YELLOW	28	V DC	19	1080
656-3406-303F	DOME	BLUE	28	V DC	18	640
656-3008-303F	DOME	WHITE	37.5	V DC	8.5	660
656-3108-303F	DOME	RED	37.5	V DC	8.5	410
656-3208-303F	DOME	GREEN	37.5	V DC	8.5	800
656-3308-303F	DOME	YELLOW	37.5	V DC	8.5	390
656-3408-303F	DOME	BLUE	37.5	V DC	8.5	220
656-3007-303F	DOME	WHITE	72	V DC	8.5	660
656-3107-303F	DOME	RED	72	V DC	8.5	410

*For blade terminals: replace the 10th digit with "4". For example: 656-1103-304F

Part Number	Lens Style	Color	Voltage	Voltage Type	Typ Current (mA)	Typical Intensity (mcd)
656-3207-303F	DOME	GREEN	72	V DC	8.5	800
656-3307-303F	DOME	YELLOW	72	V DC	8.5	390
656-3407-303F	DOME	BLUE	72	V DC	8.5	220
656-3005-303F	DOME	WHITE	120	V AC/DC	5	660
656-3105-303F	DOME	RED	120	V AC/DC	5	410
656-3205-303F	DOME	GREEN	120	V AC/DC	5	800
656-3305-303F	DOME	YELLOW	120	V AC/DC	5	390
656-3405-303F	DOME	BLUE	120	V AC/DC	5	220
656-3009-303F	DOME	WHITE	230	V AC	2	660
656-3109-303F	DOME	RED	230	V AC	3	410
656-3209-303F	DOME	GREEN	230	V AC	3	800
656-3309-303F	DOME	YELLOW	230	V AC	3	390
656-3409-303F	DOME	BLUE	230	V AC	3	220

*For blade terminals: replace the 10th digit with "4". For example: 656-1103-304F

657 Series

Watertight Right Angle Panel Mount Indicators



Application:

The 657 Series LED Panel Mount Indicators are designed with a highly durable watertight housing. These indicators are designed for a variety of applications such as:

- Instrument Panels
- Gauge
- Dash Boards
- Storage Compartments
- Control Panels
- ...and many more!

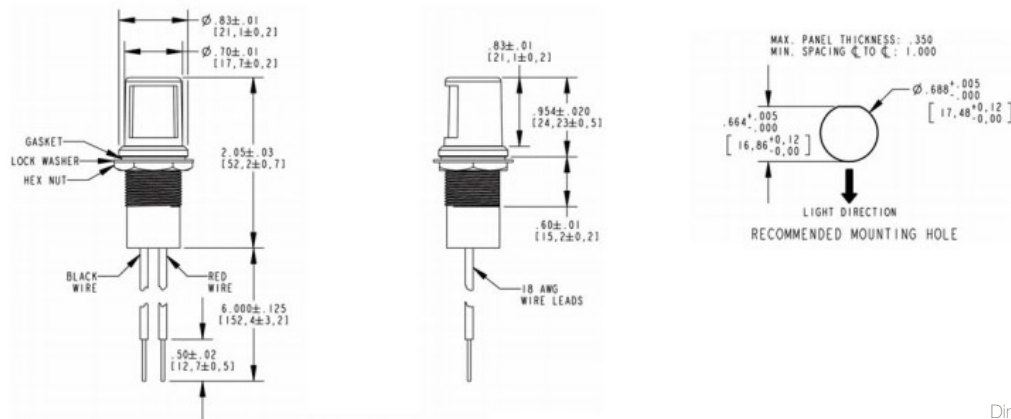
Certifications & Ratings

- RoHS compliant
- NEMA 4X
- IP67

Mechanical information	
Mounting Hole Size:	0.687" (17.46 mm)
Max Panel Thickness:	0.350" (8.89 mm)
Mounting Torque:	15 in-lbs

Specifications			
Voltage Options:	12-32 V DC	Lens Material:	Transparent polycarbonate (UL 94V-0)
Operating Temp:	-35°C to +65°C (-31°F to +149°F)	Wire Leads:	6"
Storage Temp:	-40°C to +100°C (-40°F to +212°F)	Lock Washer:	White Nickel Plated Bronze
Electrical Connection:	18 AWG anti-capillary wire	Nut:	White Nickel Plated Brass
Housing:	Polycarbonate (UL 94V-0)		

Dimensions



Part Number	Color	Voltage (V DC)	Current (mA)	Typical Intensity (mcd)
657-3009-213F	Cool White	12-32	24	2000
657-3009-803F	Green	12-32	24	1960
657-3009-804F	Red	12-32	24	1680
657-3009-806F	Blue	12-32	24	880

657 Series

Watertight Series Panel Mount Indicators



Application:

The 657 Series LED Panel Mount Indicators are designed with a highly durable watertight housing. These indicators are designed for a variety of applications such as:

- Electrical control panels
- Wastewater treatment controls
- Buses and transit vehicles dashboards
- Agricultural and construction equipment dashboards
- Aircraft and military vehicles dashboards
- Status Indication on industrial equipment

...and many more!

Certifications & Ratings

- RoHS compliant
- NEMA 4X
- IP67

Mechanical information

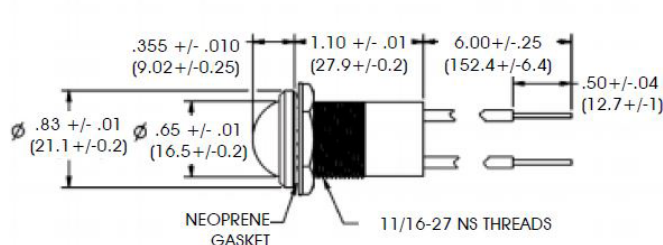
Mounting Hole Size:	0.687" (17.46 mm)
Max Panel Thickness:	0.350" (8.89 mm)
Mounting Torque:	15 in-lbs

Specifications

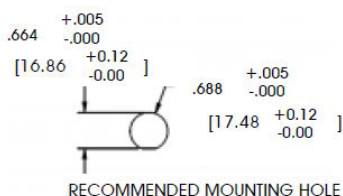
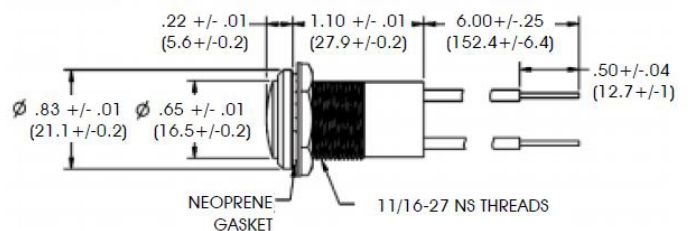
Voltage Options:	5, 12, and 24 V DC	Lens Material:	Polycarbonate (UL 94V-0)
Operating Temp:	-35°C to +65°C (-31°F to +149°F)	Wire Leads:	6"
Storage Temp:	-40°C to +100°C (-40°F to +212°F)	Lock Washer:	White Nickel Plated Bronze
Electrical Connection:	18 AWG anti-capillary wire	Nut:	White Nickel Plated Brass
Housing:	Polycarbonate (UL 94V-0)		

Dimensions

DOMED LENS



FLAT LENS



657 Series

Ordering Information

Part Number	Lens Style	Lamp Color	Voltage (V DC)	Lens Color	Current (mA)	Typical Luminance (mcd)
657-1002-303F	Flat	White	5	White Diffused	20	80
657-1502-103F	Flat	Red	5	Tinted Diffused	20	280
657-1602-103F	Flat	Green	5	Tinted Diffused	20	280
657-1702-103F	Flat	Yellow	5	Tinted Diffused	20	280
657-1802-103F	Flat	Blue	5	Tinted Diffused	20	100
657-1902-103F	Flat	Orange	5	Tinted Diffused	20	380
657-1003-303F	Flat	White	12	White Diffused	20	80
657-1503-103F	Flat	Red	12	Tinted Diffused	20	280
657-1603-103F	Flat	Green	12	Tinted Diffused	20	280
657-1703-103F	Flat	Yellow	12	Tinted Diffused	20	280
657-1803-103F	Flat	Blue	12	Tinted Diffused	20	100
657-1903-103F	Flat	Orange	12	Tinted Diffused	20	380
657-1004-303F	Flat	White	24	White Diffused	20	80
657-1504-103F	Flat	Red	24	Tinted Diffused	20	280
657-1604-103F	Flat	Green	24	Tinted Diffused	20	280
657-1704-103F	Flat	Yellow	24	Tinted Diffused	20	280
657-1804-103F	Flat	Blue	24	Tinted Diffused	20	100
657-1904-103F	Flat	Orange	24	Tinted Diffused	20	380
657-2002-303F	Dome	White	5	White Diffused	20	80
657-2502-103F	Dome	Red	5	Tinted Diffused	20	320
657-2602-103F	Dome	Green	5	Tinted Diffused	20	320
657-2702-103F	Dome	Yellow	5	Tinted Diffused	20	320
657-2802-103F	Dome	Blue	5	Tinted Diffused	20	140
657-2902-103F	Dome	Orange	5	Tinted Diffused	20	550
657-2003-303F	Dome	White	12	White Diffused	20	80
657-2503-103F	Dome	Red	12	Tinted Diffused	20	320
657-2603-103F	Dome	Green	12	Tinted Diffused	20	320
657-2703-103F	Dome	Yellow	12	Tinted Diffused	20	320
657-2803-103F	Dome	Blue	12	Tinted Diffused	20	140
657-2903-103F	Dome	Orange	12	Tinted Diffused	20	550
657-2004-303F	Dome	White	24	White Diffused	20	80
657-2504-103F	Dome	Red	24	Tinted Diffused	20	320
657-2604-103F	Dome	Green	24	Tinted Diffused	20	320
657-2704-103F	Dome	Yellow	24	Tinted Diffused	20	320
657-2804-103F	Dome	Blue	24	Tinted Diffused	20	140
657-2904-103F	Dome	Orange	24	Tinted Diffused	20	550

*For non-diffused lens: replace 8th digit with "3" for example: 657-1502-303F

675 Series

5mm Panel Mount Indicator



Application:

The 675 Series LED Panel Mount Indicators are designed for a variety of applications such as:

- Main power indication
- Remote power indication
- Status indication
- Maintenance and warning indication
- Instrumentation

...and many more!

Certifications & Ratings

- RoHS compliant

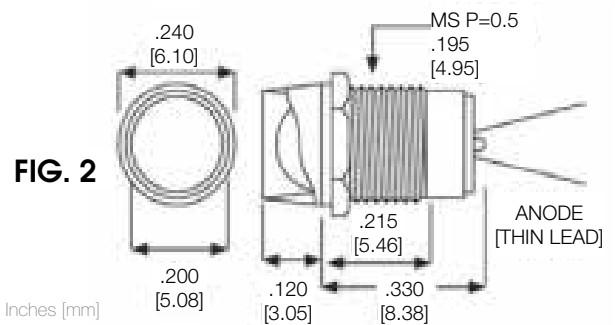
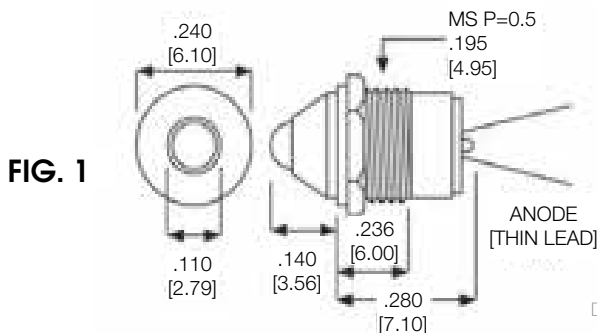
Mechanical information

Mounting Hole Size:	0.2047" (5.2mm)
Max Panel Thickness:	0.138" (3.5mm)
Mounting Torque:	0.362" lbs/ft (5 kg/cm)

Specifications

Operating Voltage:	2 (red, orange) & 3.3 (green, blue) V DC (current limiting resistor required on both voltages)	Housing:	Chrome plated brass
Operating Temp:	-30°C to +85°C (-22°F to +185°F)	Terminal:	Copper-Nickel Plated
Storage Temp:	-40°C to +100°C (-40°F to +212°F)	Lock Washer:	Iron-Nickel Plated
Electrical Connection	Through leads	Nut:	Brass-Nickel Plated

Dimensions



Dimension are in Inches [mm]

Part Number	Color	Voltage (V DC)	Current (mA)	Typical Intensity(mcd)	LED Position	Figure
675-1111-110F	Red	2	20	9110	Protruding	1
675-1211-110F	Green	3.3	20	11380	Protruding	1
675-1311-110F	Orange	2	20	9110	Protruding	1
675-1411-110F	Blue	3.3	20	2810	Protruding	1
675-1511-110F	White	3.3	20	5100	Protruding	1
675-2111-110F	Red	2	20	5650	Recessed	2
675-2211-110F	Green	3.3	20	11520	Recessed	2
675-2311-110F	Orange	2	20	7810	Recessed	2
675-2411-110F	Blue	3.3	20	3810	Recessed	2
675-2511-110F	White	3.3	20	6220	Recessed	2

676 Series

6mm Panel Mount Indicator



Application:

The 676 Series LED Panel Mount Indicators are designed with a highly durable watertight housing. These indicators are designed for a variety of applications such as:

- Main power indication
- Remote power indication
- Status indication
- Maintenance and warning indication
- Instrumentation

...and many more!

Certifications & Ratings

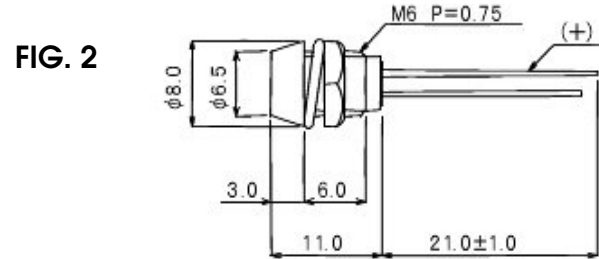
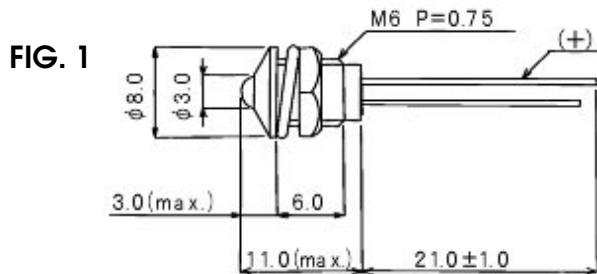
- RoHS compliant

Mechanical information

Mounting Hole Size:	0.244" (6.2mm)
Max Panel Thickness:	0.138" (3.5mm)
Mounting Torque:	0.362 lbs/ft (5 kg/cm)

Specifications

Operating Voltage:	2 (red,orange) & 3.3 (green, blue) V DC (current limiting resistor required on both voltages)	Housing:	Chrome plated brass
Operating Temp:	-22°F to +185°F (-30°C to +85°F)	Terminal:	Copper-Nickel Plated
Storage Temp:	-40°F to +212°F (-40°C to +100°C)	Lock Washer:	Iron-Nickel Plated
Electrical Connection	Through leads	Nut:	Brass-Nickel Plated



Dimension are in Inches [mm]

Part Number	Color	Voltage (V DC)	Current (mA)	Intensity Typ. (mcd)	LED Position	Figure
676-1111-110F	Red	2	20	7720	Protruding	1
676-1211-110F	Green	3.3	20	10100	Protruding	1
676-1311-110F	Orange	2	20	7810	Protruding	1
676-1411-110F	Blue	3.3	20	2980	Protruding	1
676-1511-110F	White	3.3	20	6150	Protruding	1
676-2111-110F	Red	2	20	5650	Recessed	2
676-2211-110F	Green	3.3	20	11520	Recessed	2
676-2311-110F	Orange	2	20	7810	Recessed	2
676-2411-110F	Blue	3.3	20	3810	Recessed	2
676-2511-110F	White	3.3	20	6220	Recessed	2

677 Series

7mm Panel Mount Indicator



Application:

The 677 Series LED Panel Mount Indicators are designed for a variety of applications such as:

- Main power indication
- Remote power indication
- Status indication
- Maintenance and warning indication
- Instrumentation
- ...and many more!

Certifications & Ratings

- RoHS compliant
- NEMA 4X
- IP66 (water tight)

Mechanical information

Mounting Hole Size:	0.283" (7.2mm)
Max Panel Thickness:	See part numbers
Mounting Torque:	0.362 lbs/ft (5 kg/cm); 0.217 lbs/ft or 3kg/cm (Fig 3)

Specifications

Operating Voltage:	6, 12 & 24 V DC (no resistor required)	Housing:	Protruding & recessed positions: Chrome plated brass/ Internal position: Polycarbonate
Operating Temp:	-20°C to +75°C (-4°F to 167°F)	Terminal:	Copper-Nickel Plated
Storage Temp:	-40°C to +100°C (-40°F to 212°F)	Lock Washer:	Iron-Nickel Plated
Electrical Connection:	Solder terminals and 6" wire leads	Nut:	Brass-Nickel Plated

Dimensions

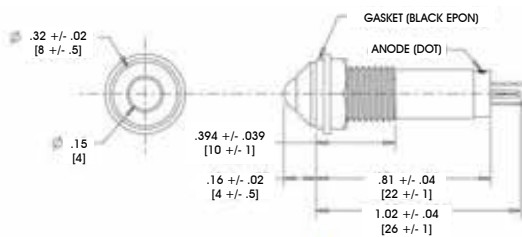


FIG. 1

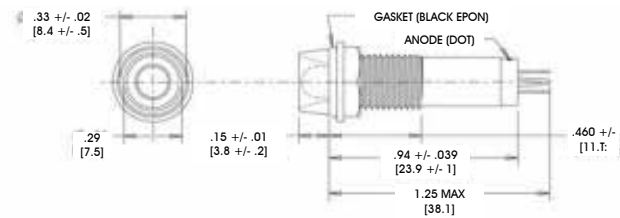


FIG. 2

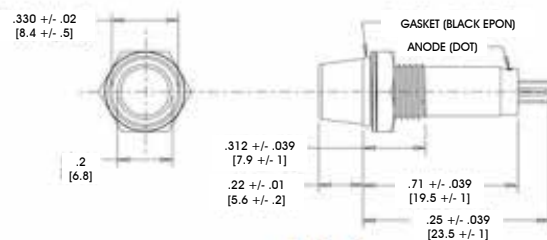


FIG. 3

Dimension are in Inches [mm]

677 Series

Ordering Information

Part Number	Color	Voltage (V DC)	Current (mA)	Typical Intensity (mcd)	LED Position	Figure	Panel Thickness
677-1112-321F	Red	6	30	825	Protuding	1	0.265" (6.75 mm)
677-1212-322F	Green	6	30	4135	Protuding	1	
677-1312-323F	Orange	6	30	560	Protuding	1	
677-1412-324F	Blue	6	30	700	Protuding	1	
677-1112-331F	Red	12	30	825	Protuding	1	
677-1212-332F	Green	12	30	4135	Protuding	1	
677-1312-333F	Orange	12	30	560	Protuding	1	
677-1412-334F	Blue	12	30	700	Protuding	1	
677-1112-341F	Red	24	30	825	Protuding	1	
677-1212-342F	Green	24	30	4135	Protuding	1	
677-1312-343F	Orange	24	30	560	Protuding	1	
677-1412-344F	Blue	24	30	700	Protuding	1	
677-2112-321F	Red	6	30	925	Recessed	2	0.336" (8.50 mm)
677-2312-322F	Green	6	30	4135	Recessed	2	
677-2312-323F	Orange	6	30	600	Recessed	2	
677-2412-324F	Blue	6	30	730	Recessed	2	
677-2112-331F	Red	12	30	925	Recessed	2	
677-2212-332F	Green	12	30	4135	Recessed	2	
677-2312-333F	Orange	12	30	600	Recessed	2	
677-2412-334F	Blue	12	30	730	Recessed	2	
677-2112-341F	Red	24	30	925	Recessed	2	
677-2212-342F	Green	24	30	4135	Recessed	2	
677-2312-343F	Orange	24	30	600	Recessed	2	
677-2412-344F	Blue	24	30	730	Recessed	2	
677-3132-321F	Red	6	30	1370	Internal	3	0.187" (4.75 mm)
677-3232-322F	Green	6	30	5500	Internal	3	
677-3332-323F	Orange	6	30	1280	Internal	3	
677-3432-324F	Blue	6	30	1200	Internal	3	
677-3132-331F	Red	12	30	1370	Internal	3	
677-3232-332F	Green	12	30	5500	Internal	3	
677-3332-333F	Orange	12	30	1280	Internal	3	
677-3432-334F	Blue	12	30	1200	Internal	3	
677-3132-341F	Red	24	30	1370	Internal	3	
677-3232-342F	Green	24	30	5500	Internal	3	
677-3332-343F	Orange	24	30	1280	Internal	3	
677-3432-344F	Blue	24	30	1200	Internal	3	

* For wire leads: replace 7th digit with "5" for example 677-1115-321F

678 Series

8mm Panel Mount Indicator



Application:

The 678 Series LED Panel Mount Indicators are designed for a variety of applications such as:

- Main power indication
- Remote power indication
- Status indication
- Maintenance and warning indication
- Instrumentation
- ...and many more!

Certifications & Ratings

- RoHS compliant
- IP66 (protruding types only)

Mechanical information

Mounting Hole Size:	0.335" (8.5mm) (Fig. 1)
	0.323" (8.2mm); See Fig. 4A (Fig 4 & 5)
Max Panel Thickness:	See part numbers
Mounting Torque:	0.362 lbs/ft (5 kg/cm) (Fig. 1)
	0.271 lbs/ft (3 kg/cm) (Fig. 2 and 3)

Specifications

Operating Voltage:	6, 12 & 24 V DC (no resistor required)	Housing:	Protruding: Chrome plated brass; Internal position: Polycarbonate
Operating Temp:	-20°C to +75°C (-4°F to 167°F)	Terminal:	Copper-Nickel Plated
Storage Temp:	-40°C to +100°C (-40°F to 212°F)	Lock Washer:	Iron-Nickel Plated
Electrical Connection:	Solder terminals and 6" wire leads	Nut:	Brass-Nickel Plated

Dimensions

FIGURE 1

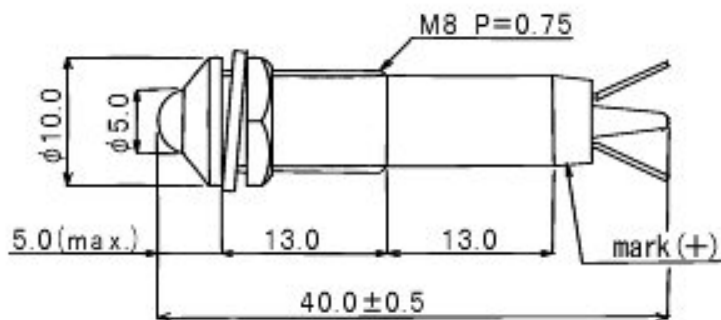
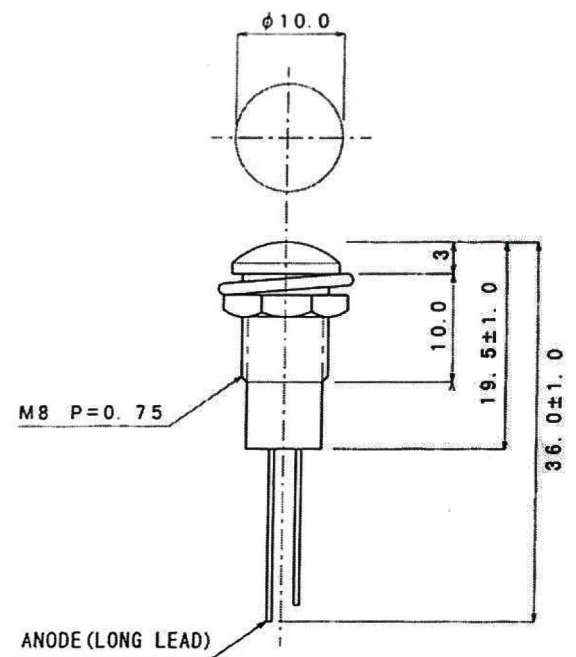


FIGURE 2



Dimension are in Inches [mm]

FIGURE 3

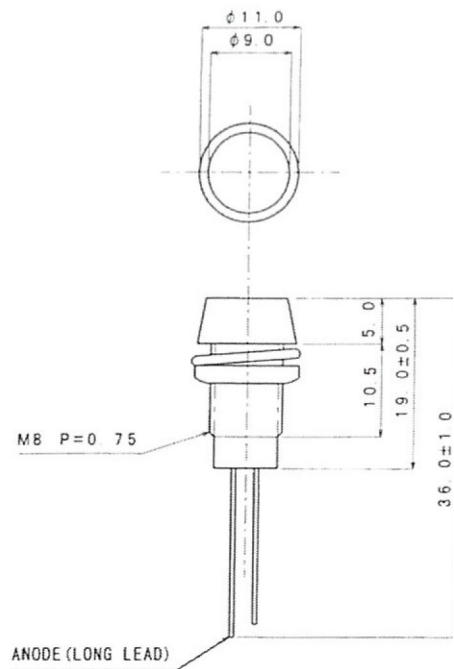
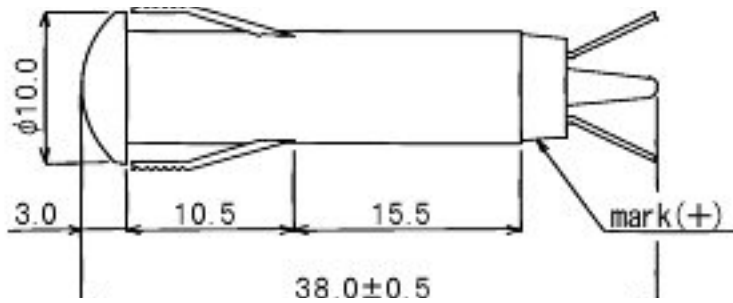
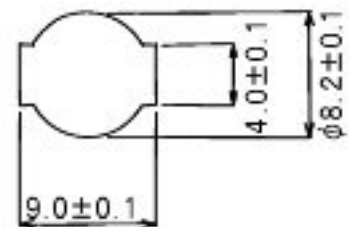
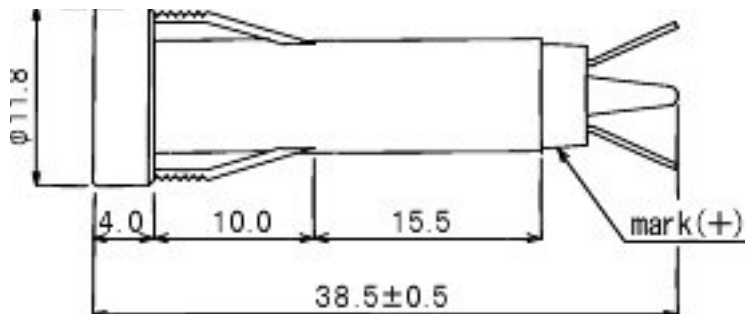


FIGURE 4



FOR BOTH FIGURES 4 & 5

FIGURE 5



678 Series

Ordering Information

Part Number	Color	Voltage (V DC)	Current (mA)	Typical Intensity (mcd)	Viewing Angel	LED Position	Figure	Panel Thickness
678-1112-321F	Red	6	30	320	20	Protuding	1	.3158" (8.0 mm)
678-1212-322F	Green	6	30	2920	20	Protuding	1	
678-1312-323F	Orange	6	30	490	20	Protuding	1	
678-1412-324F	Blue	6	30	220	20	Protuding	1	
678-1112-331F	Red	12	30	320	20	Protuding	1	
678-1212-332F	Green	12	30	2920	20	Protuding	1	
678-1312-333F	Orange	12	30	490	20	Protuding	1	
678-1412-334F	Blue	12	30	220	20	Protuding	1	
678-1112-341F	Red	24	30	320	20	Protuding	1	
678-1212-342F	Green	24	30	2920	20	Protuding	1	
678-1312-343F	Orange	24	30	490	20	Protuding	1	
678-1412-344F	Blue	24	30	220	20	Protuding	1	
678-1131-111F	Red	2	30	2210	4	Internal	2	.2165" 5.5 mm)
678-1231-112F	Green	3.3	30	46860	4	Internal	2	
678-1331-113F	Orange	2	30	2210	4	Internal	2	
678-1431-114F	Blue	3.3	30	7100	4	Internal	2	
678-3131-111F	Red	2	30	3020	40	Internal	3	
678-3231-112F	Green	3.3	30	30600	20	Internal	3	
678-3331-113F	Orange	2	30	3260	20	Internal	3	0.197" (5.0 mm)
678-3431-114F	Blue	3.3	30	4360	40	Internal	3	
678-1132-221F	Red	6	30	2210	5	Internal	4	
678-1232-222F	Green	6	30	41430	6	Internal	4	
678-1332-223F	Orange	6	30	8535	10	Internal	4	
678-1432-224F	Blue	6	30	5473	6	Internal	4	
678-1132-231F	Red	12	30	2210	5	Internal	4	
678-1232-232F	Green	12	30	41430	6	Internal	4	
678-1332-233F	Orange	12	30	8535	10	Internal	4	
678-1432-234F	Blue	12	30	5473	6	Internal	4	
678-1132-241F	Red	24	30	2210	5	Internal	4	
678-1232-242F	Green	24	30	41430	6	Internal	4	
678-1332-243F	Orange	24	30	8535	10	Internal	4	
678-1432-244F	Blue	24	30	5473	6	Internal	4	
678-2132-221F	Red	6	30	12700	5	Internal	5	
678-2232-222F	Green	6	30	16490	15	Internal	5	
678-2332-223F	Orange	6	30	5780	8	Internal	5	
678-2432-224F	Blue	6	30	2514	20	Internal	5	
678-2132-231F	Red	12	30	12700	5	Internal	5	
678-2232-232F	Green	12	30	16490	15	Internal	5	
678-2332-233F	Orange	12	30	5780	8	Internal	5	
678-2432-234F	Blue	12	30	2514	20	Internal	5	
678-2132-241F	Red	12	30	12700	5	Internal	5	
678-2232-242F	Green	12	30	16490	15	Internal	5	
678-2332-243F	Orange	12	30	5780	8	Internal	5	
678-2432-244F	Blue	12	30	2514	20	Internal	5	

* For wire leads: replace 7th digit with "5" for example 678-1115-321F

679 Series

9mm Panel Mount Indicator



Application:

The 679 Series LED Panel Mount Indicators are designed for a variety of applications such as:

- Main power indication
- Remote power indication
- Status indication
- Maintenance and warning indication
- Instrumentation
- ...and many more!

Certifications & Ratings

- RoHS compliant
- NEMA 4X
- IP66 (water tight)

Mechanical information

Mounting Hole Size:	0.374" (9.5mm)
Max Panel Thickness:	0.378" (9.50mm); w/Gasket: 0.318" (8.0mm)
Mounting Torque:	0.362 lbs/ft (5kg/cm) torque

Specifications

Operating Voltage:	6, 12 & 24 V DC (no resistor required)	Housing:	Chrome or Black plated brass
Operating Temp:	-20°C to +75°C (-4°F to 167°F)	Terminal:	Copper-Nickel Plated
Storage Temp:	-40°C to +100°C (-40°F to 212°F)	Lock Washer:	Iron-Nickel Plated
Electrical Connection:	Solder terminals, 6" wire leads	Nut:	Brass-Nickel Plated

Dimensions

FIGURE 1

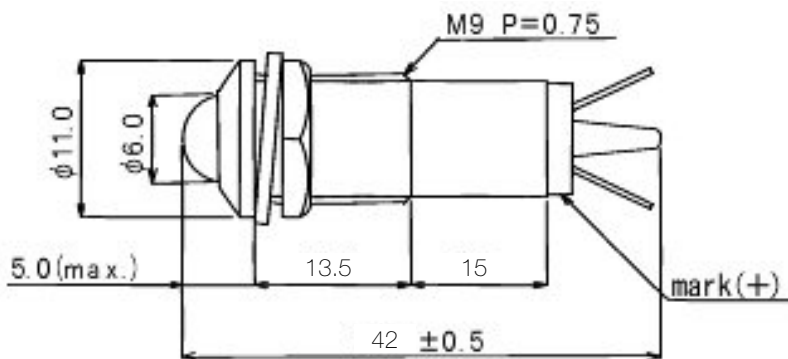
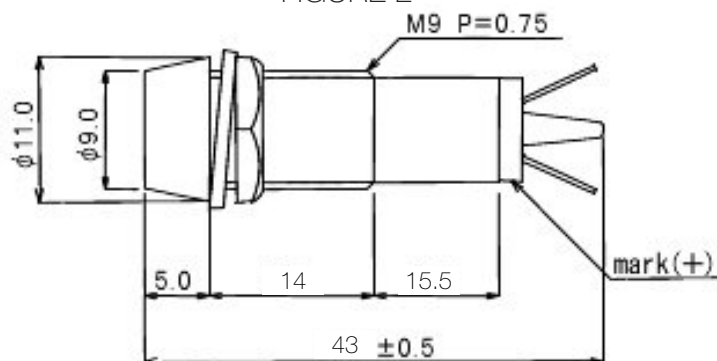


FIGURE 2



679 Series

Ordering Information

Part Number	Color	Voltage (V DC)	Current (mA)	Intensity Typ. (mcd)	Led Position	Plating Finish	Fig
679-2112-321F	Red	6	30	775	Recessed	Chrome	1
679-2212-322F	Green	6	30	5870	Recessed	Chrome	1
679-2312-323F	Yellow	6	30	1570	Recessed	Chrome	1
679-2412-324F	Blue	6	30	270	Recessed	Chrome	1
679-2112-331F	Red	12	30	775	Recessed	Chrome	1
679-2212-332F	Green	12	30	5870	Recessed	Chrome	1
679-2312-333F	Yellow	12	30	1570	Recessed	Chrome	1
679-2412-334F	Blue	12	30	270	Recessed	Chrome	1
679-2112-341F	Red	24	30	775	Recessed	Chrome	1
679-2212-342F	Green	24	30	5870	Recessed	Chrome	1
679-2312-343F	Yellow	24	30	1570	Recessed	Chrome	1
679-2412-344F	Blue	24	30	270	Recessed	Chrome	1
679-2122-321F	Red	6	30	775	Recessed	Black	1
679-2222-322F	Green	6	30	5870	Recessed	Black	1
679-2322-323F	Yellow	6	30	1570	Recessed	Black	1
679-2422-324F	Blue	6	30	270	Recessed	Black	1
679-2122-331F	Red	12	30	775	Recessed	Black	1
679-2222-332F	Green	12	30	5870	Recessed	Black	1
679-2322-333F	Yellow	12	30	1570	Recessed	Black	1
679-2422-334F	Blue	12	30	270	Recessed	Black	1
679-2122-341F	Red	24	30	775	Recessed	Black	1
679-2222-342F	Green	24	30	5870	Recessed	Black	1
679-2322-343F	Yellow	24	30	1570	Recessed	Black	1
679-2422-344F	Blue	24	30	270	Recessed	Black	1
679-1112-321F	Red	6	30	485	Protruding	Chrome	2
679-1212-322F	Green	6	30	5870	Protruding	Chrome	2
679-1312-323F	Yellow	6	30	1570	Protruding	Chrome	2
679-1412-324F	Blue	6	30	215	Protruding	Chrome	2
679-1112-331F	Red	12	30	485	Protruding	Chrome	2
679-1212-332F	Green	12	30	5870	Protruding	Chrome	2
679-1312-333F	Yellow	12	30	1570	Protruding	Chrome	2
679-1412-334F	Blue	12	30	215	Protruding	Chrome	2
679-1112-341F	Red	24	30	485	Protruding	Chrome	2
679-1212-342F	Green	24	30	5870	Protruding	Chrome	2
679-1312-343F	Yellow	24	30	1570	Protruding	Chrome	2
679-1412-344F	Blue	24	30	215	Protruding	Chrome	2
679-1122-321F	Red	6	30	485	Protruding	Black	2
679-1222-322F	Green	6	30	5870	Protruding	Black	2
679-1322-323F	Yellow	6	30	1570	Protruding	Black	2
679-1422-324F	Blue	6	30	215	Protruding	Black	2
679-1122-331F	Red	12	30	485	Protruding	Black	2
679-1222-332F	Green	12	30	5870	Protruding	Black	2
679-1322-333F	Yellow	12	30	1570	Protruding	Black	2
679-1422-334F	Blue	12	30	215	Protruding	Black	2
679-1122-341F	Red	24	30	485	Protruding	Black	2
679-1222-342F	Green	24	30	5870	Protruding	Black	2
679-1322-343F	Yellow	24	30	1570	Protruding	Black	2
679-1422-344F	Blue	24	30	215	Protruding	Black	2

* For wire leads: replace 7th digit with "5" for example 679-211**5**-321F

680 Series

10mm Panel Mount Indicator



Application:

The 680 Series LED Panel Mount Indicators are designed for a variety of applications such as:

- Main power indication
- Remote power indication
- Status indication
- Maintenance and warning indication
- Instrumentation
- ...and many more!

Certifications & Ratings

- RoHS compliant

Mechanical information

Mounting Hole Size:	see below (Fig. 1)
	0.406" (10.3mm) (Fig. 2)
Max Panel Thickness:	0.236" (6.0mm)
Mounting Torque:	0.217 lbs/ft (5 kg/cm) - Figure 1 only

Specifications

Operating Voltage:	6, 12 & 24 V DC (no resistor required)	Housing:	Polycarbonate
Operating Temp:	-20°C to +75°C (-4°F to +167°F)	Terminal:	Copper-Nickel Plated
Electrical Connection:	Solder terminals, 6" wire leads	Lock Washer:	Iron-Nickel Plated
Storage Temp:	-40°C to +100°C (-40°F to +212°F)	Nut:	Brass-Nickel Plated

Dimensions

Figure 1

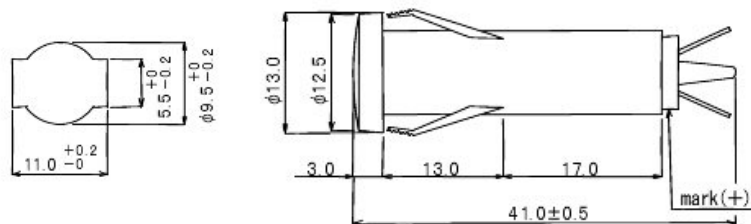
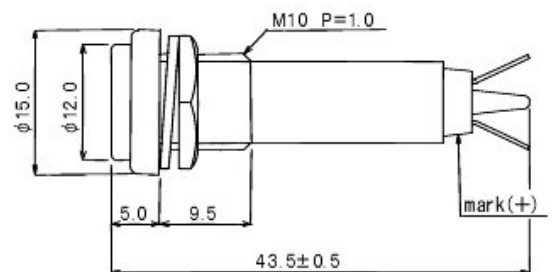


Figure 2



680 Series

Ordering Information

Part Number	Color	Voltage (V DC)	Current (mA)	Intensity Typ. (mcd)	Led Position	Figure	Panel Thickness
680-3132-221F	Red	6	30	335	Internal	1	0.098" (2.5mm)
680-3232-222F	Green	6	30	4070	Internal	1	
680-3332-223F	Yellow	6	30	1025	Internal	1	
680-3432-224F	Blue	6	30	730	Internal	1	
680-3132-231F	Red	12	30	335	Internal	1	
680-3232-232F	Green	12	30	4070	Internal	1	
680-3332-223F	Yellow	12	30	1025	Internal	1	
680-3432-234F	Blue	12	30	730	Internal	1	
680-3132-241F	Red	24	30	335	Internal	1	
680-3232-242F	Green	24	30	4070	Internal	1	
680-3332-243F	Yellow	24	30	1025	Internal	1	
680-3432-244F	Blue	24	30	730	Internal	1	
680-3132-121F	Red	6	30	1530	Internal	2	0.236" (6.0mm)
680-3232-122F	Green	6	30	4330	Internal	2	
680-3332-123F	Yellow	6	30	1455	Internal	2	
680-3432-124F	Blue	6	30	245	Internal	2	
680-3132-131F	Red	12	30	1530	Internal	2	
680-3232-132F	Green	12	30	4330	Internal	2	
680-3332-133F	Yellow	12	30	1455	Internal	2	
680-3432-134F	Blue	12	30	245	Internal	2	
680-3132-141F	Red	24	30	1530	Internal	2	
680-3232-142F	Green	24	30	4330	Internal	2	
680-3332-143F	Yellow	24	30	1455	Internal	2	
680-3432-144F	Blue	24	30	245	Internal	2	

* For wire leads: replace 7th digit with "5" for example 680-313**5**-221F

682 Series

12mm Panel Mount Indicator



Application:

The 682 Series LED Panel Mount Indicators are designed for a variety of applications such as:

- Main power indication
- Remote power indication
- Status indication
- Maintenance and warning indication
- Instrumentation
- ...and many more!

Certifications & Ratings

- RoHS compliant

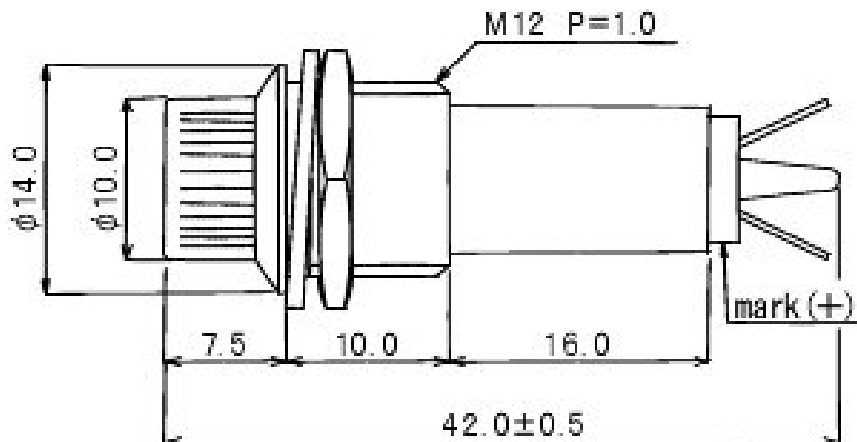
Mechanical information

Mounting Hole Size:	0.492" (12.5mm)
Max Panel Thickness:	0.236" (6.3mm)
Mounting Torque:	0.217 lbs/ft (3 kg/cm)

Specifications

Operating Voltage:	6, 12 & 24V DC (no resistor required)	Housing:	Polycarbonate
Operating Temp:	-20°C to +75°C (-4°F to +167°F)	Terminal:	Copper-Nickel Plated
Storage Temp:	-40°C to +100°C (-40°F to +212°F)	Lock Washer:	Iron-Nickel Plated
Electrical Connection:	Solder terminals and 6" wire leads	Nut:	Brass-Nickel Plated

Dimensions



Dimension are in Inches [mm]

682 Series

Ordering Information

Part Number	Color	Voltage (V DC)	Current (mA)	Typical Intensity (mcd)
682-3132-121F	Red	6	20	510
682-3232-122F	Green	6	20	2225
682-3332-123F	Orange	6	20	510
682-3432-124F	Blue	6	20	260
682-3132-131F	Red	12	20	510
682-3232-132F	Green	12	20	2225
682-3332-133F	Orange	12	20	510
682-3432-134F	Blue	12	20	260
682-3132-141F	Red	24	20	510
682-3232-142F	Green	24	20	2225
682-3332-143F	Orange	24	20	510
682-3432-144F	Blue	24	20	260

* For wire leads: replace 7th digit with "5" for example 682-3135-121F

686 Series

16mm Panel Mount Indicator



Application:

The 686 Series LED Panel Mount Indicators are designed for a variety of applications such as:

- Main power indication
- Remote power indication
- Status indication
- Maintenance and warning indication
- Instrumentation
- ...and many more!

Certifications & Ratings

- RoHS compliant

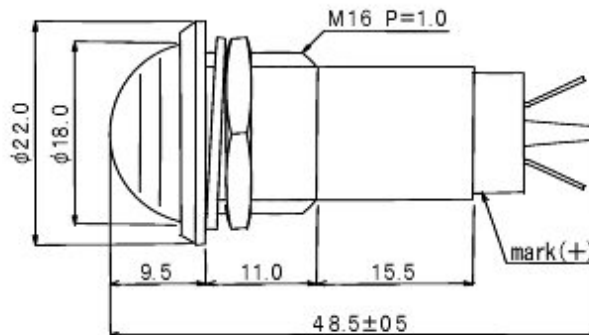
Mechanical information

Mounting Hole Size:	0.650" (16.5mm)
Max Panel Thickness:	0.236" (6.3mm)
Mounting Torque:	0.217 lbs/ft (3kg/cm)

Specifications

Operating Voltage:	6, 12 & 24V DC (no resistor required)	Housing:	Polycarbonate
Operating Temp:	-20°C to +75°C (-4°F to +167°F)	Terminal:	Copper-Nickel Plated
Storage Temp:	-40°C to +100°C (-40°F to +212°F)	Lock Washer:	Iron-Nickel Plated
Electrical Connection:	Solder terminals	Nut:	Brass-Nickel Plated

Dimensions



Dimension are in Inches [mm]

686 Series

Ordering Information

Part Number	Color	Voltage (V DC)	Current (mA)	Typical Intensity (mcd)
686-1132-121F	Red	6	20	660
686-1232-122F	Green	6	20	8150
686-1332-123F	Orange	6	20	500
686-1432-124F	Blue	6	20	240
686-1132-131F	Red	12	20	660
686-1232-132F	Green	12	20	8150
686-1332-133F	Orange	12	20	500
686-1432-134F	Blue	12	20	240
686-1132-141F	Red	24	20	660
686-1232-142F	Green	24	20	8150
686-1332-143F	Orange	24	20	500
686-1432-144F	Blue	24	20	240

LED Based Bulbs

Quick Reference



Application:

With the technological advancements in Light Emitting Diodes (LEDs) brightness can now rival the incandescent lamp when used in similar packages. These advancements have allowed for a new type of product called the Based LED - an LED with the fit and functionality of an incandescent light bulb

- High reliability - vibration and shock resistant
- Multi-chip, Cluster, and Single Ultra-Bright Chip
- AlInGaP and InGaN die technology
- Polarized and non-polarized
- Single and multi-voltage input

...and many more!

Certifications & Ratings

- RoHS compliant

Considerations:

- Since lens caps act as filters for the light emitted from the based LED, it is important to match the emitting color of the LED. If not matched properly, the overall light output may be substantially reduced. Dialight recommends using transparent lenses, which will optimize the light output.
- Although these lamps can be operated at a lower voltage, which will increase the life, the intensity will be reduced.
- Operation of the based LED at a higher voltage should not exceed 10% above the recommended voltage.
- Dialight does not recommend that based LED lamps be used in neon sockets.

Base Style	Configuration	Color	6 V DC	12 - 24 V DC	24 - 48 V DC	120 V AC	Polarized	6-36 V DC	ROHS Compliant
T1 3/4 Midget Flange	Single Chip	Red / Green / Yellow / Blue / White	•	•	•		Polarized		•
T1 3/4 Midget Flange	Multi Chip	Red / Green / Yellow	•	•	•		Polarized / Non-Polarized		
T1 3/4 Wedge (T5)	Single / Dual Chip	Red / Green / Yellow / Blue / White	•	•	•		Non-Polarized		•
T1 3/4 Wedge (T5)	Multi Chip	Red / Green / Yellow	•	•	•		Polarized / Non-Polarized		
T1 3/4 Bi-Pin	Single Chip	Red / Green / Yellow / Blue / White	•	•	•		Polarized		•
T1 3/4 Bi-Pin	Multi Chip	Red / Green / Yellow	•	•	•		Polarized / Non-Polarized		
T2 Telephone Slide	Single Chip	Red / Green / Yellow / Blue / White			•		Non-Polarized		•
T3 1/4 Miniature Bayonet (BA9s)	Single Chip	Red / Green / Yellow / Blue / White	•	•	•		Polarized / Non-Polarized	•	•
T3 1/4 Miniature Bayonet (BA9s)	Cluster	Red / Green / Yellow / Blue / White	•	•	•	•	Polarized / Non-Polarized		•
T3 1/4 Miniature Screw (E10)	Single Chip	Red / Green / Yellow / Blue / White	•	•	•		Non-Polarized	•	•
T3 1/4 Wedge (T10)	Cluster	Red / Green / Yellow / Blue / White	•	•	•		Non-Polarized		•
15mm Bayonet (BA15s)	Custer	Red / Green / Yellow / Blue / White		•	•		Polarized		•

586 Series

Single Chip Based LED - T1 3/4 Midget Flange



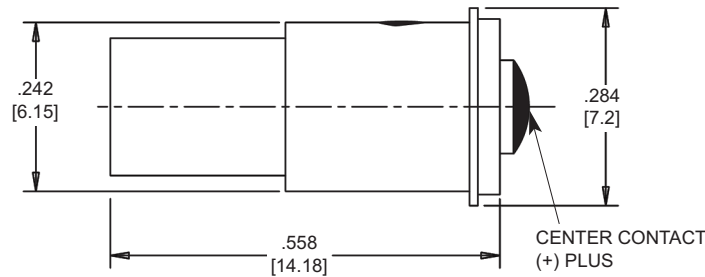
Features/Benefits:

- RoHS compliant
- Longer life
- Energy savings - 90% less power required
- High reliability - vibration and shock resistant
- Mounts directly into industry standard socket
- AlInGaP and InGaN die technology
- Super bright single chip design
- No heat generated

Specifications

Base:	T1 3/4 Midget Flange
Voltage Options:	6, 14, and 28 V DC
Operating Temp:	-40°C to +80°C (-40°F to +176°F)
Storage Temp:	-40°C to +100°C (-40°F to +212°F)

Dimensions



Measurements are typical
Dimension are in Inches [mm]

Part Number	Color	Peak Wavelength (nm)	Voltage (V DC)	Current Typ. (mA)	Intensity Typ. (mcd)
586-1101-101F	Red	639	6	10	775
586-1102-101F	Green	520	6	10	600
586-1103-101F	Yellow	592	6	10	775
586-1105-101F	Blue	467	6	10	210
586-1106-101F	White	*	6	10	460
586-1101-103F	Red	639	14	10	775
586-1102-103F	Green	520	14	10	600
586-1103-103F	Yellow	592	14	10	775
586-1105-103F	Blue	467	14	10	210
586-1106-103F	White	*	14	10	460
586-1101-105F	Red	639	28	10	775
586-1102-105F	Green	520	28	10	600
586-1103-105F	Yellow	592	28	10	775
586-1105-105F	Blue	467	28	10	210
586-1106-105F	White	*	28	10	460

* Color coordinates: x=0.320, y=0.320

585 Series

Multi-Chip Based LED - T1 3/4 Midget Flange



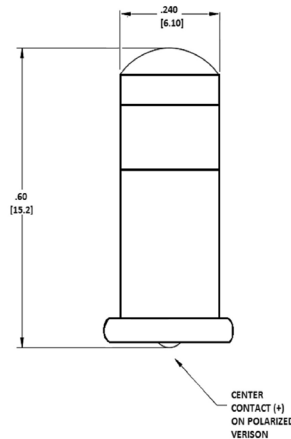
RoHS Compliant Features/Benefits

- Longer life
- Energy savings - 90% less power required
- Mounts directly into industry standard socket
- Polarized and non-polarized

Specifications

Base:	T1 3/4 Midget Flange
Voltage Options:	6, 14, and 28 V DC
Operating Temp:	-20°C to +60°C (-4°F to +140°F)
Storage Temp:	-30°C to +100°C (-22°F to +212°F)

Dimensions



Measurements are typical
Dimension are in Inches [mm]

Part Number	Color	Peak Wavelength (nm)	Voltage (V DC)	Current Typ. (mA)	Intensity Typ. (mcd)
Polarized LED Bulbs					
585-1211	Red	660	6	50	67
585-1311	Green	565	6	46	77
585-1411	Yellow	585	6	44	22
585-1213	Red	660	14	30	60
585-1313	Green	565	14	28	70
585-1413	Yellow	585	14	30	23
585-1215	Red	660	28	16	64
585-1315	Green	565	28	15	75
585-1415	Yellow	585	28	15	23
Non-Polarized LED Bulbs					
585-1221	Red	660	6	75	50
585-1321	Green	565	6	67	56
585-1421	Yellow	585	6	73	18
585-1223	Red	660	14	26	50
585-1323	Green	565	14	23	56
585-1423	Yellow	585	14	24	18
585-1225	Red	660	28	14	56
585-1325	Green	565	28	13	65
585-1425	Yellow	585	28	13	20

586 Series

Single Chip Based LED - T1 3/4 Wedge (T5)



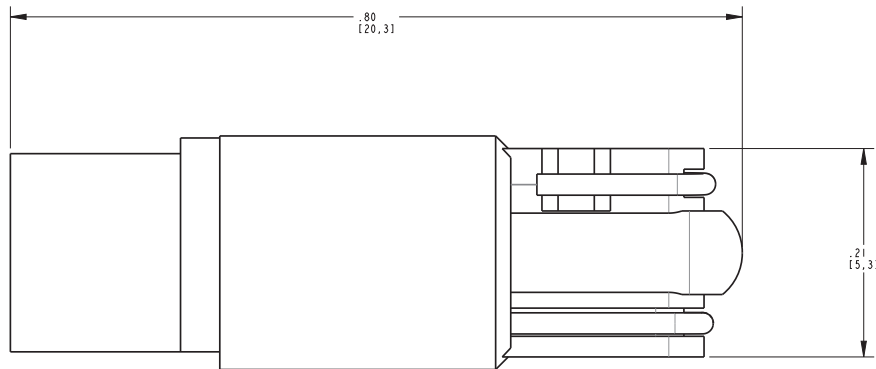
Features/Benefits

- RoHS compliant
- Longer life
- Energy savings - 90% less power required
- High reliability - vibration and shock resistant
- Mounts directly into industry standard socket
- Wide 100 degree viewing angel
- No heat generated

Specifications

Base:	T1 3/4 Midget Flange
Voltage Options:	6, 14, and 28 V DC
Operating Temp:	-40°C to +80°C (-40°F to +176°F)
Storage Temp:	-40°C to +100°C (-40°F to +212°F)

Dimensions



Measurements are typical
Dimension are in Inches [mm]

Part Number	Color	Peak Wavelength (nm)	Voltage (V DC)	Current Typ.(mA)	Intensity Typ. (mcd)
586-1A01-101F	Red	630	6	16	775
586-1A02-101F	Green	526	6	16	600
586-1A03-101F	Yellow	592	6	16	775
586-1A05-101F	Blue	472	6	16	165
586-1A06-101F	White	*	6	16	460
586-1A01-103F	Red	630	14	16	775
586-1A02-103F	Green	526	14	16	600
586-1A03-103F	Yellow	592	14	16	775
586-1A05-103F	Blue	472	14	16	165
586-1A06-103F	White	*	14	16	460
586-1A01-105F	Red	630	28	16	775
586-1A02-105F	Green	526	28	16	600
586-1A03-105F	Yellow	592	28	16	775
586-1A05-105F	Blue	472	28	16	165
586-1A06-105F	White	*	28	16	460

* Color coordinates: x=0.320, y=0.320

586 Series

Based LED - T1 3/4 Wedge (T5)



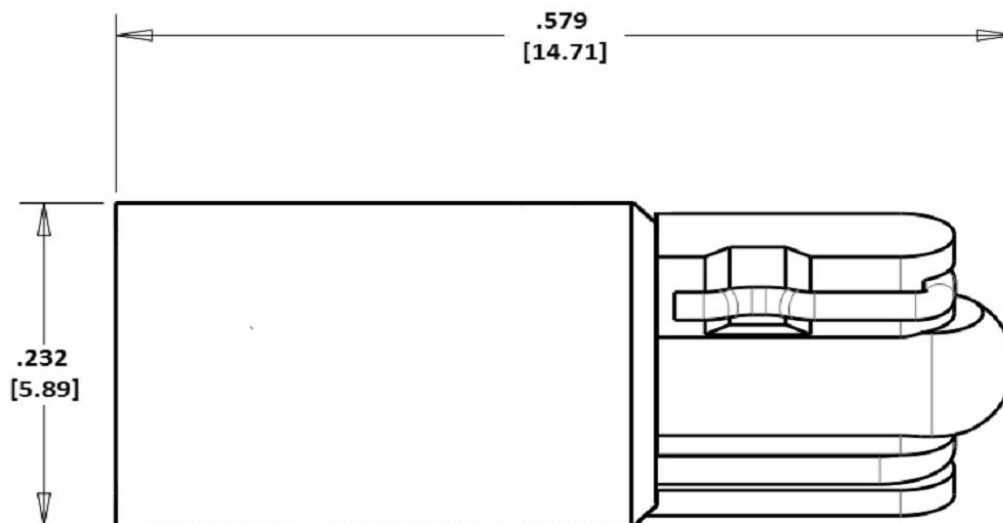
Features/Benefits

- RoHS compliant
- Longer life
- Energy savings - 90% less power required
- High reliability - vibration and shock resistant
- Unique multi-LED design provides superior illumination
- AlInGaP and InGaN die technology
- True Non-Polarized design
- Mounts directly into industry standard socket

Specifications

Base:	T1 3/4 Wedge
Voltage Options:	6, 12, 14 and 28 V DC
Operating Temp:	-30°C to +85°C (-22°F to +185°F)
Storage Temp:	-40°C to +100°C (-40F to +212°F)

Dimensions



Measurements are typical
Dimension are in Inches [mm]

586 Series

Ordering Information

Part Number	Color	Peak Wavelength (nm)	Voltage (V DC)	Current Typ. (mA)	Intensity Typ. (mcd)
586-1201-201F	Red	615	6	35	450
586-1202-201F	Green	528	6	12	120
586-1203-201F	Yellow	587	6	35	450
586-1205-201F	Blue	470	6	12	50
586-1206-201F	White	*	6	15	320
586-1201-202F	Red	615	12	18	450
586-1202-202F	Green	528	12	8	170
586-1203-202F	Yellow	587	12	18	450
586-1205-202F	Blue	470	12	8	70
586-1206-202F	White	*	12	11	450
586-1201-203F	Red	615	14	20	500
586-1202-203F	Green	528	14	8.5	185
586-1203-203F	Yellow	587	14	20	500
586-1205-203F	Blue	470	14	8.5	75
586-1206-203F	White	*	14	12	500
586-1201-204F	Red	615	24	14	350
586-1202-204F	Green	528	24	10	215
586-1203-204F	Yellow	587	24	14	350
586-1205-204F	Blue	470	24	10	85
586-1206-204F	White	*	24	14	580
586-1201-205F	Red	615	28	14	350
586-1202-205F	Green	528	28	10	210
586-1203-205F	Yellow	587	28	14	350
586-1205-205F	Blue	470	28	10	80
586-1206-205F	White	*	28	14	540

* Color coordinates: x=0.330, y=0.330

585 Series

Multi-Chip Based LED - T1 3/4 Wedge



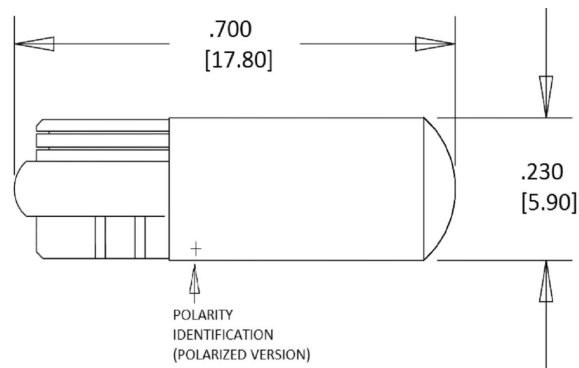
Features/Benefits:

- Longer life
- Energy savings - 90% less power required
- High reliability - vibration and shock resistant
- Mounts directly into industry standard socket
- AllInGaP and InGaN die technology
- True non-polarized configurations available
- No heat generated

Specifications

Base:	T1 3/4 Wedge
Voltage Options:	6, 14, and 28 V DC
Operating Temp:	-20°C to +60°C (-4°F to +140°F)
Storage Temp:	-30°C to +100°C (-22°F to +212°F)

Dimensions



Measurements are typical
Dimension are in Inches [mm]

Part Number	Color	Peak Wavelength (nm)	Voltage (V DC)	Current Typ. (mA)	Intensity Typ. (mcd)
Polarized LED Bulbs					
585-2211	Red	660	6	50	67
585-2311	Green	565	6	46	77
585-2411	Yellow	585	6	44	22
585-2213	Red	660	14	30	60
585-2313	Green	565	14	28	70
585-2413	Yellow	585	14	30	23
585-2215	Red	660	28	16	64
585-2315	Green	565	28	15	75
585-2415	Yellow	585	28	15	23
Non-Polarized LED Bulbs					
585-2221	Red	660	6	75	50
585-2321	Green	565	6	67	56
585-2421	Yellow	585	6	73	18
585-2223	Red	660	14	26	50
585-2323	Green	565	14	23	56
585-2423	Yellow	585	14	24	18
585-2225	Red	660	28	14	56
585-2325	Green	565	28	13	65
585-2425	Yellow	585	28	13	20

586 Series

Single-Chip Based LED - T1 3/4 Bi-pin



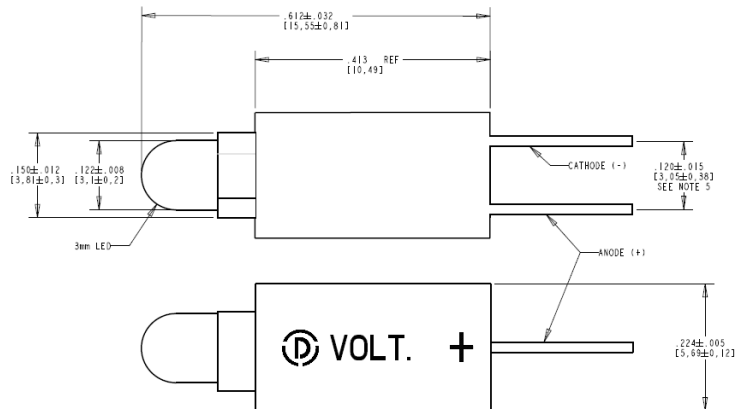
Features/Benefits:

- RoHS compliant
- Longer life
- Energy savings - 90% less power required
- High reliability - vibration and shock resistant
- Mounts directly into industry standard socket
- AllnGaP and InGaN die technology
- Super bright single chip design
- No heat generated

Specifications

Voltage Options:	6, 14, and 28 V DC
Operating Temp:	-30°C to +80°C (-22°F to +176°F)
Storage Temp:	-40°C to +85°C (-40°F to +185°F)

Dimensions



Measurements are typical
Dimension are in Inches [mm]

Part Number	Color	Peak Wavelength (nm)	Voltage (V DC)	Current Typ. (mA)	Intensity Typ. (mcd)
586-1301-101F	Red	626	6	10	90
586-1302-101F	Green	525	6	10	1700
586-1303-101F	Yellow	590	6	10	110
586-1305-101F	Blue	470	6	10	500
586-1306-101F	White	*	6	10	635
586-1301-103F	Red	626	14	10	90
586-1302-103F	Green	525	14	10	1700
586-1303-103F	Yellow	590	14	10	110
586-1305-103F	Blue	470	14	10	500
586-1306-103F	White	*	14	10	635
586-1301-105F	Red	626	28	10	90
586-1302-105F	Green	525	28	10	1700
586-1303-105F	Yellow	590	28	10	110
586-1305-105F	Blue	470	28	10	500
586-1306-105F	White	*	28	10	635

* Color coordinates: x=0.320, y=0.320

585 Series

Multi-Chip Based LED - T1 3/4 Bi-pin



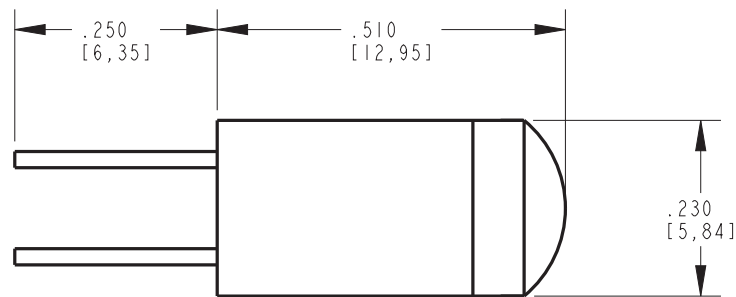
Features/Benefits

- Longer life
- Energy savings - 90% less power required
- Mounts directly into industry standard socket
- True non-polarized configuration available
- Polarized and non-polarized
- No heat generated

Specifications

Voltage Options:	6, 14, and 28 V DC
Operating Temp:	-20°C to +60°C (-4°F to +140°F)
Storage Temp:	-30°C to +100°C (-22°F to +212°F)

Dimensions



Measurements are typical
Dimension are in Inches [mm]

Part Number	Color	Peak Wavelength (nm)	Voltage (V DC)	Current Typ. (mA)	Intensity Typ. (mcd)
Polarized LED Bulbs					
585-3211	Red	660	6	50	67
585-3311	Green	565	6	46	77
585-3411	Yellow	585	6	44	22
585-3213	Red	660	14	30	60
585-3313	Green	565	14	28	70
585-3413	Yellow	585	14	30	23
585-3215	Red	660	28	16	64
585-3315	Green	565	28	15	75
585-3415	Yellow	585	28	15	23
Non-Polarized LED Bulbs					
585-3221	Red	660	6	75	50
585-3321	Green	565	6	67	56
585-3421	Yellow	585	6	73	18
585-3223	Red	660	14	26	50
585-3323	Green	565	14	23	56
585-3423	Yellow	585	14	24	18
585-3225	Red	660	28	14	56
585-3325	Green	565	28	13	65
585-3425	Yellow	585	28	13	20

586 Series

Single-Chip Based LED - T2 Telephone Slide (type 3)



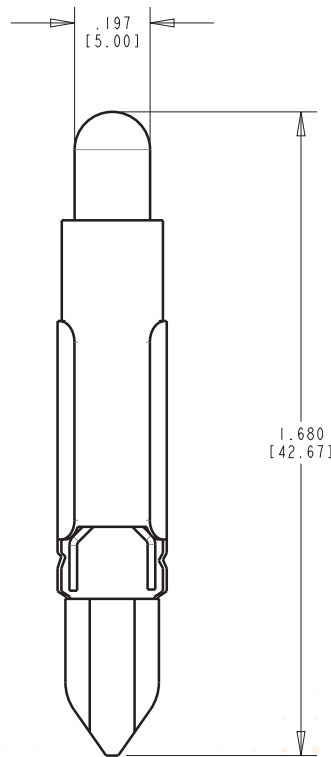
Features/Benefits

- RoHS compliant
- Longer life
- Energy savings - 90% less power required
- High reliability - vibration and shock resistant
- Mounted directly into industry standard socket
- Super bright single-chip design
- No heat generated

Specifications

Base:	T2 Telephone Slide
Voltage Options:	24 V DC
Operating Temp:	-30°C to +80°C (-22°F to +176°F)
Storage Temp:	-40°C to +85°C (-40F to +185°F)

Dimensions



Measurements are typical
Dimension are in Inches [mm]

Part Number	Color	Peak Wavelength (nm)	Voltage (V DC)	Current Typ. (mA)	Intensity Typ. (mcd)
Polarized LED Bulbs					
586-3501-204F	Red	622	24	25	600
586-3502-204F	Green	525	24	25	5000
586-3503-204F	Yellow	592	24	25	1700
586-3505-204F	Blue	470	24	25	1500
586-3506-204F	White	*	24	25	5600

* Color coordinates: x=0.290, y=0.305

586 Series

Single-Chip Based LED - T3-1/4 Miniature Bayonet (BA9s)



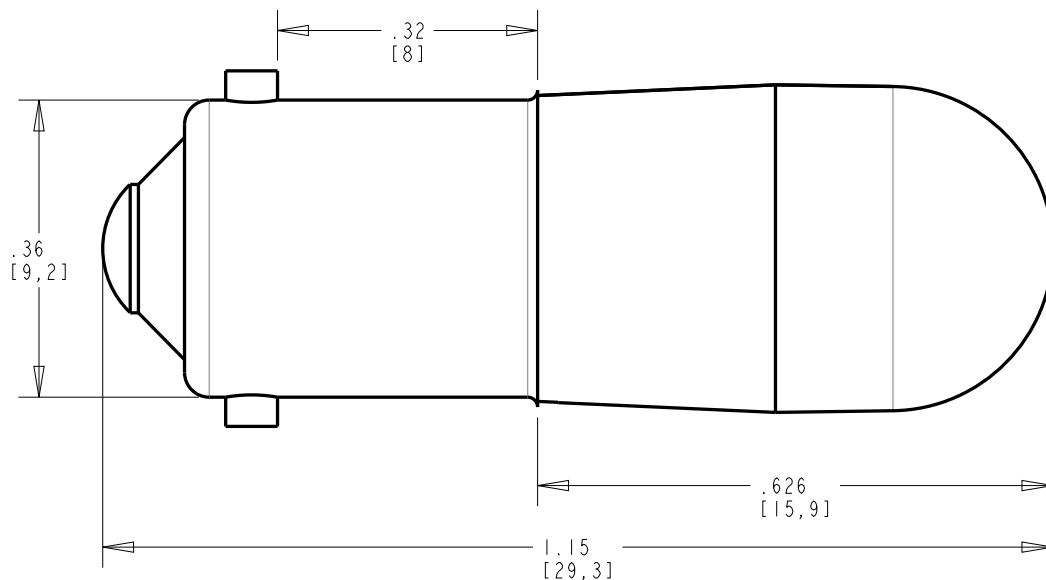
Features/Benefits:

- RoHS compliant
- Longer life
- Energy savings - 90% less power required
- High reliability - vibration and shock resistant
- Mounts directly into industry standard socket
- True non-polarized configurations available
- No heat generated
- Super bright single chip design

Specifications

Base:	T3 1/4 Miniature Bayonet (BA9s)
Voltage Options:	6, 14, and 28 V DC, 6-36 V DC
Operating Temp:	-30°C to +85°C (-22°F to +185°F)
Storage Temp:	-40°C to +100°C (-40°F to +212°F)

Dimensions



Measurements are typical
Dimension are in Inches [mm]

586 Series

Ordering Information

Part Number	Color	Peak Wavelength (nm)	Voltage (V DC)	Current Typ. (mA)	Intensity Typ. (mcd)
Polarized LED Bulbs					
586-2401-101F	Red	630	6	15	1050
586-2402-101F	Green	525	6	15	1650
586-2403-101F	Yellow	592	6	15	1275
586-2405-101F	Blue	470	6	15	487
586-2406-101F	White	*	6	15	825
586-2401-103F	Red	630	14	15	1050
586-2402-103F	Green	525	14	15	1650
586-2403-103F	Yellow	592	14	15	1275
586-2405-103F	Blue	470	14	15	487
586-2406-103F	White	*	14	15	825
586-2401-105F	Red	630	28	15	1050
586-2402-105F	Green	525	28	15	1650
586-2403-105F	Yellow	592	28	15	1275
586-2405-105F	Blue	470	28	15	487
586-2406-105F	White	*	28	15	825
586-2401-220F	Red	630	6-36	10	1000
586-2402-220F	Green	525	6-36	10	1500
586-2403-220F	Yellow	592	6-36	10	550
586-2405-220F	Blue	470	6-36	10	200
586-2406-220F	White	*	6-36	10	650
Non-Polarized LED Bulbs					
586-2401-201F	Red	630	6	15	1050
586-2402-201F	Green	525	6	15	1650
586-2403-201F	Yellow	592	6	15	1275
586-2405-201F	Blue	470	6	15	487
586-2406-201F	White	*	6	15	825
586-2401-203F	Red	630	14	15	1050
586-2402-203F	Green	525	14	15	1650
586-2403-203F	Yellow	592	14	15	1275
586-2405-203F	Blue	470	14	15	487
586-2406-203F	White	*	14	15	825
586-2401-205F	Red	630	28	7.5	525
586-2402-205F	Green	525	28	7.5	825
586-2403-205F	Yellow	592	28	7.5	637
586-2405-205F	Blue	470	28	7.5	243
586-2406-205F	White	*	28	7.5	412

* Color coordinates: x=0.330, y=0.365

586 Series

Daylight Viewable Cluster Based LED - T3 1/4 Miniature Bayonet Base (BA9s)



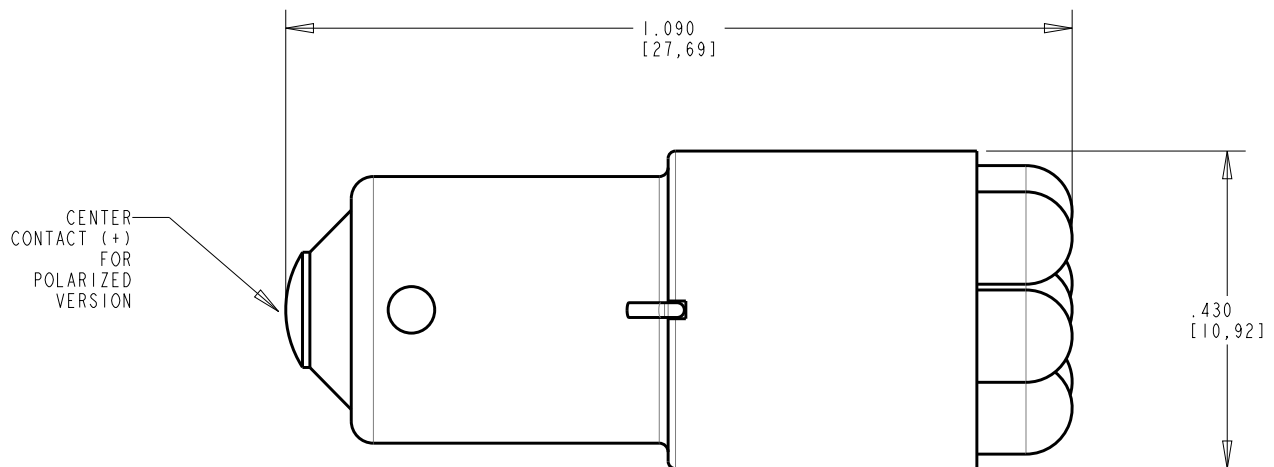
Features/Benefits

- RoHS compliant
- Longer life
- Energy savings - 90% less power required
- High reliability - vibration and shock resistant
- Mounts directly into industry standard sockets
- Polarized and non-polarized
- Super bright LED cluster design

Specifications

Base:	T3 1/4 Miniature Bayonet (BA9s)
Voltage Options:	6, 14, and 28 V DC; 120 V AC
Operating Temp:	-30C to +85°C (-22°F to +185°F)
Storage Temp:	-40°C to +100°C (-40F to +212°F)

Dimensions



Measurements are typical
Dimension are in Inches [mm]

586 Series

Ordering Information

Part Number	Color	Peak Wavelength (nm)	Voltage (V DC)	Forward Current Typ. (mA)	Intensity Typ. (mcd)
Polarized LED Bulbs					
586-6401-101F	Red	630	6	100	1000
586-6402-101F	Green	525	6	90	3800
586-6403-101F	Yellow	592	6	100	2000
586-6405-101F	Blue	470	6	90	850
586-6406-101F	White	*	6	90	4800
586-6401-103F	Red	630	14	50	1000
586-6402-103F	Green	525	14	40	3100
586-6403-103F	Yellow	592	14	50	2000
586-6405-103F	Blue	470	14	40	685
586-6406-103F	White	*	14	40	4800
586-6401-105F	Red	630	28	17	1000
586-6402-105F	Green	525	28	13	3600
586-6403-105F	Yellow	592	28	17	2000
586-6405-105F	Blue	470	28	13	780
586-6406-105F	White	*	28	13	4200
Non-Polarized LED Bulbs					
586-6401-201F	Red	630	6	100	1000
586-6402-201F	Green	525	6	70	3400
586-6403-201F	Yellow	592	6	100	2000
586-6405-201F	Blue	470	6	70	685
586-6406-201F	White	*	6	70	4000
586-6401-203F	Red	630	14	50	1000
586-6402-203F	Green	525	14	40	3400
586-6403-203F	Yellow	592	14	50	2000
586-6405-203F	Blue	470	14	40	685
586-6406-203F	White	*	14	40	4000
586-6401-205F	Red	630	28	18	1000
586-6402-205F	Green	525	28	11	3400
586-6403-205F	Yellow	592	28	18	2000
586-6405-205F	Blue	470	28	11	685
586-6406-205F	White	*	28	11	4000
586-6401-206F	Red	630	120 V AC	9	500
586-6402-206F	Green	526	120 V AC	9	2400
586-6403-206F	Yellow	592	120 V AC	9	1000
586-6405-206F	Blue	472	120 V AC	9	565
586-6406-206F	White	*	120 V AC	9	3000

* Color coordinates: x=0.296, y=0.276

585 Series

Cluster Based LED - T3 1/4 Miniature Bayonet (BA9s)



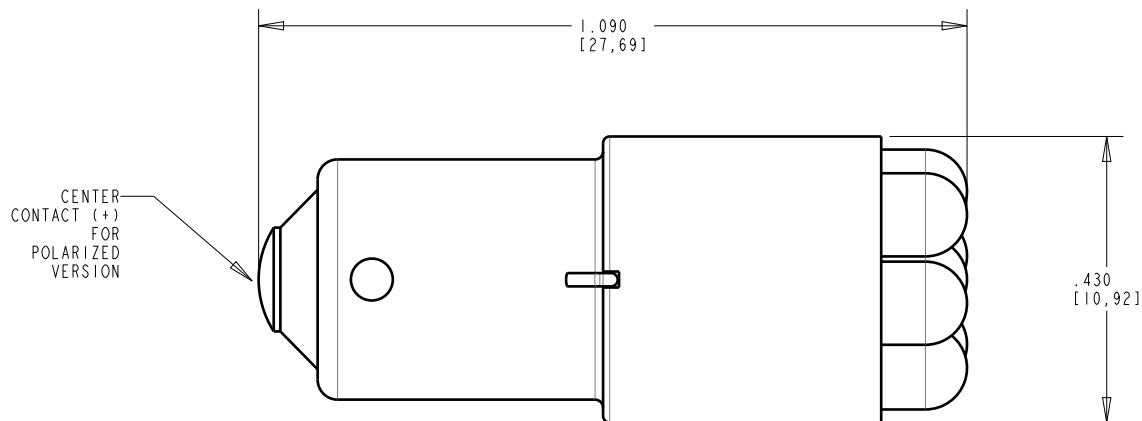
Features/Benefits

- Longer life
- Energy savings - 90% less power required
- High reliability - vibration and shock resistant
- Mount directly into industry standard socket
- Super bright LED cluster design
- Polarized and non-polarized
- No heat generated

Specifications

Base:	T3 1/4 Miniature Bayonet (BA9s)
Voltage Options:	6, 14 and 28 V DC; 120 V AC
Operating Temp:	-30°C to +85°C (-22°F to +185°F)
Storage Temp:	-40°C to +100°C (-40°F to +212°F)

Dimensions



Measurements are typical
Dimension are in Inches [mm]

585 Series

Ordering Information

Part Number	Color	Peak Wavelength (nm)	Voltage (V DC)	Current Typ. (mA)	Intensity Typ. (mcd)
Polarized LED Bulbs					
585-5211F	Red	660	6	60	480
585-5311F	Green	565	6	60	420
585-5511F	Yellow	592	6	90	1800
585-5213F	Red	660	14	40	480
585-5313F	Green	565	14	40	420
585-5513F	Yellow	592	14	60	1800
585-5215F	Red	660	28	20	560
585-5315F	Green	565	28	20	490
585-5515F	Yellow	592	28	30	2100
Non-Polarized LED Bulbs					
585-5223F	Red	660	14	40	480
585-5323F	Green	565	14	40	420
585-5523F	Yellow	592	14	60	1800
585-5225F	Red	660	28	20	560
585-5325F	Green	565	28	20	490
585-5525F	Yellow	592	28	30	2100
585-5256F	Red	660	120 V AC	9	252
585-5356F	Green	565	120 V AC	9	220
585-5556F	Yellow	585	120 V AC	9	945

586 Series

Single Chip Based LED - T3 1/4 Miniature Screw (E10)



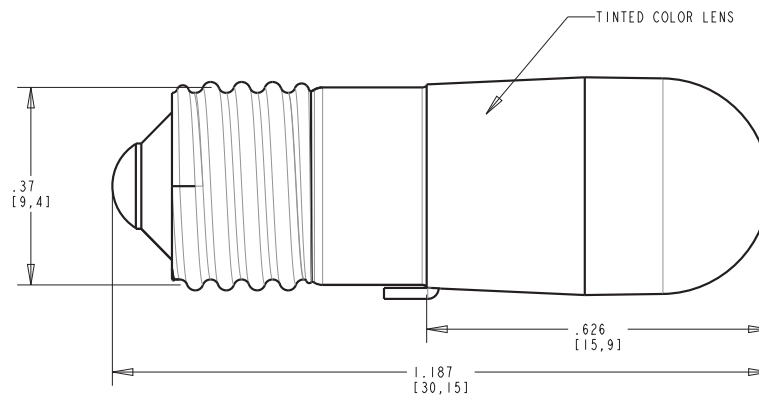
Features / Benefits:

- RoHS compliant
- Longer life
- Energy savings - 90% less power required
- High reliability - vibration and shock resistant
- Mounting directly into industry standard socket
- True non-polarized configuration
- Super bright single chip design

Specifications

Base:	T3 1/4 Miniature Screw (E10)
Voltage Options:	6, 14 and 28 V DC, 6-36 V DC
Operating Temp:	-30°C to +85°C (-22°F to +185°F)
Storage Temp:	-40°C to +100°C (-40°F to +212°F)

Dimensions



Measurements are typical
Dimension are in Inches [mm]

586 Series

Ordering Information

Part Number	Color	Peak Wavelength (nm)	Voltage (V DC)	Current Typ. (mA)	Intensity Typ. (mcd)
586-2701-201F	Red	630	6	15	1050
586-2702-201F	Green	525	6	15	1650
586-2703-201F	Yellow	592	6	15	1275
586-2705-201F	Blue	470	6	15	487
586-2706-201F	White	*	6	15	825
586-2701-203F	Red	630	14	15	1050
586-2702-203F	Green	525	14	15	1650
586-2703-203F	Yellow	592	14	15	1275
586-2705-203F	Blue	470	14	15	487
586-2706-203F	White	*	14	15	825
586-2701-205F	Red	630	28	7.5	525
586-2702-205F	Green	525	28	7.5	825
586-2703-205F	Yellow	592	28	7.5	637
586-2705-205F	Blue	470	28	7.5	243
586-2706-205F	White	*	28	7.5	412
586-2701-220F	Red	630	6-36	10	1000
586-2702-220F	Green	525	6-36	10	1500
586-2703-220F	Yellow	592	6-36	10	550
586-2705-220F	Blue	470	6-36	10	200
586-2706-220F	White	*	6-36	10	650

* Color coordinates: x=0.330, y=0.365

586 Series

Based LED - T3 1/4 Wedge (T10)



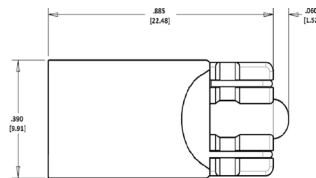
Features/Benefits

- RoHS compliant
- Longer life
- Energy savings - 90% less power required
- High reliability - vibration and shock resistant
- Mounts directly into industry standard socket
- Unique multi-LED design provides superior illumination and ability
- No heat generated

Specifications

Base:	T3 1/4 Wedge (T10)
Voltage Options:	6, 12, 14 and 24 V DC
Operating Temp:	-30°C to +85°C (-22°F to +185°F)
Storage Temp:	-40°C to +100°C (-40°F to +212°F)

Dimensions



Measurements are typical
Dimension are in Inches [mm]

Part Number	Color	Peak Wavelength (nm)	Voltage (V DC)	Current Typ. (mA)	Intensity Typ. (mcd)
586-2201-201F	Red	615	6	69	770
586-2202-201F	Green	528	6	30	300
586-2203-201F	Yellow	591	6	69	550
586-2205-201F	Blue	470	6	30	90
586-2206-201F	White	*	6	30	630
586-2201-202F	Red	615	12	37	820
586-2202-202F	Green	528	12	19	380
586-2203-202F	Yellow	591	12	37	590
586-2205-202F	Blue	470	12	19	115
586-2206-202F	White	*	12	19	800
586-220A-202F	White/Yellow	* / 591	12	25	725
586-220B-202F	White/Orange	* / 610	12	25	775
586-2201-203F	Red	615	14	41	910
586-2202-203F	Green	528	14	24	480
586-2203-203F	Yellow	591	14	41	650
586-2205-203F	Blue	470	14	24	145
586-2206-203F	White	*	14	24	1000
586-220A-203F	White/Yellow	* / 591	14	25	725
586-220B-203F	White/Orange	* / 610	14	25	775
586-2201-204F	Red	615	24	19	850
586-2202-204F	Green	528	24	12	480
586-2203-204F	Yellow	591	24	19	610
586-2205-204F	Blue	470	24	12	145
586-2206-204F	White	*	24	12	1000
586-220A-204F	White/Yellow	* / 591	24	14	810
586-220B-204F	White/Orange	* / 610	24	14	870

* Color coordinates: x=0.320, y=0.310

586 Series

Cluster Based LED - 15mm Bayonet (BA15s)



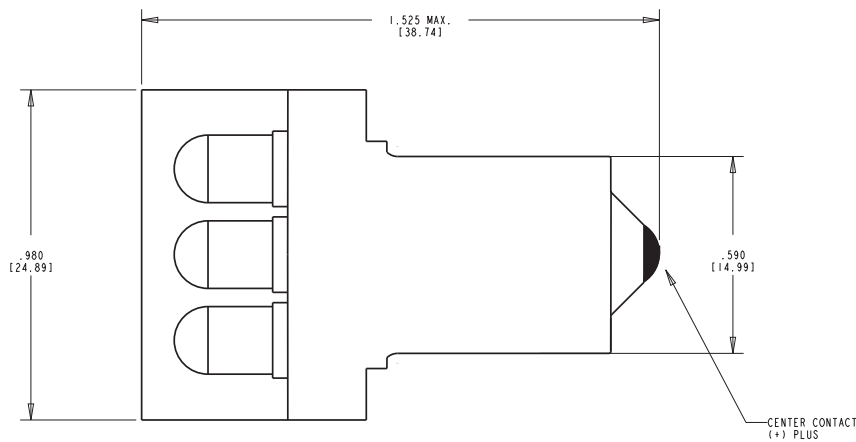
Features/Benefits:

- RoHS compliant
- Longer life
- Energy savings - 90% less power required
- High reliability - vibration and shock resistant
- Mounts directly into industry standard socket
- No heat generated

Specifications

Base:	15mm Bayonet (BA15s)
Voltage Options:	14 and 28 V DC
Operating Temp:	-30°C to +85°C (-22°F to +185°F)
Storage Temp:	-40°C to +100°C (-40°F to +212°F)

Dimensions



Measurements are typical
Dimension are in Inches [mm]

Part Number	Color	Peak Wavelength (nm)	Voltage (V DC)	Current Typ. (mA)	Intensity Typ. (mcd)
Polarized LED Bulbs					
586-4601-103F	Red	639	14	30	17325
586-4602-103F	Green	525	14	20	21000
586-4603-103F	Yellow	594	14	30	17325
586-4605-103F	Blue	470	14	20	6300
586-4606-103F	White	*	14	20	23800
586-4601-105F	Red	639	28	30	17325
586-4602-105F	Green	525	28	20	21000
586-4603-105F	Yellow	594	28	30	17325
586-4605-105F	Blue	470	28	20	6300
586-4606-105F	White	*	28	20	23800

* Color coordinates: x=0.310, y=0.320

Incandescent Lamp/Based LED

Incandescent Lamp #	Size	Base Style	Operating Voltage (V DC)	Configuration	Dialight Based LED Part Number				
					Red	Green	Yellow	Blue	White
16	T1 3/4	Wedge Base	6	Polarized	586-1A01-101	586-1A02-101	586-1A03-101	586-1A05-101	586-1A06-101
				Non-Polarized	586-1201-201	586-1202-201	586-1203-201	586-1205-201	586-1206-201
17	T1 3/4	Wedge Base	28	Polarized	586-1A01-105	586-1A02-105	586-1A03-105	586-1A05-105	586-1A06-105
				Non-Polarized	586-1201-205	586-1202-205	586-1203-205	586-1205-205	586-1206-205
18	T1 3/4	Wedge Base	14	Polarized	586-1A01-103	586-1A02-103	586-1A03-103	586-1A05-103	586-1A06-103
				Non-Polarized	586-1201-203	586-1202-203	586-1203-203	586-1205-203	586-1206-203
24	T2	Telephone Slide (Type 3)	24	Non-Polarized	586-3501-204	586-3502-204	586-3503-204	586-3505-204	586-3506-204
37	T1 3/4	Wedge Base	14	Polarized	586-1A01-103	586-1A02-103	586-1A03-103	586-1A05-103	586-1A06-103
				Non-Polarized	586-1201-203	586-1202-203	586-1203-203	586-1205-203	586-1206-203
40, 46	T3 1/4	Miniature Screw	6	Non-Polarized	586-2701-201	586-2702-201	586-2703-201	586-2705-201	586-2706-201
44, 47	T3 1/4	Miniature Bayonet (BA9s)	6	Non-Polarized	586-6401-201	586-6402-201	586-6403-201	586-6405-201	586-6406-201
				High Brightness	586-2401-201	586-2402-201	586-2403-201	586-2405-201	586-2406-201
52	T3 1/4	Miniature Screw	14	Non-Polarized	586-2701-203	586-2702-203	586-2703-203	586-2705-203	586-2706-203
56	T1 3/4	Wedge Base	6	Polarized	586-1A01-101	586-1A02-101	586-1A03-101	586-1A05-101	586-1A06-101
				Non-Polarized	586-1201-201	586-1202-201	586-1203-201	586-1205-201	586-1206-201
67	G-6	Single Contact Bayonet (BA15s)	14	Polarized	586-4601-103	586-4602-103	586-4603-103	586-4605-103	586-4606-103
70, 73, 74	T1 3/4	Wedge Base	14	Polarized	586-1A01-103	586-1A02-103	586-1A03-103	586-1A05-103	586-1A06-103
				Non-Polarized	586-1201-203	586-1202-203	586-1203-203	586-1205-203	586-1206-203
79, 84	T1 3/4	Wedge Base	6	Polarized	586-1A01-101	586-1A02-101	586-1A03-101	586-1A05-101	586-1A06-101
				Non-Polarized	586-1201-201	586-1202-201	586-1203-201	586-1205-201	586-1206-201
85	T1 3/4	Wedge Base	28	Polarized	586-1A01-105	586-1A02-105	586-1A03-105	586-1A05-105	586-1A06-105
				Non-Polarized	586-1201-205	586-1202-205	586-1203-205	586-1205-205	586-1206-205
86	T1 3/4	Wedge Base	6	Polarized	586-1A01-101	586-1A02-101	586-1A03-101	586-1A05-101	586-1A06-101
				Non-Polarized	586-1201-201	586-1202-201	586-1203-201	586-1205-201	586-1206-201
93, 97, 98, 105	G-6 / S-8	Single Contact Bayonet (BA15s)	14	Polarized	586-4601-103	586-4602-103	586-4603-103	586-4605-103	586-4606-103
124	T3 1/4	Wedge Base	14	Non-Polarized	586-2201-203	586-2202-203	586-2203-203	586-2205-203	586-2206-203
152	T3 1/4	Wedge Base	28	Non-Polarized	586-2201-205	586-2202-205	586-2203-205	586-2205-205	586-2206-205
158, 161, 168	T3 1/4	Wedge Base	14	Non-Polarized	586-2201-203	586-2202-203	586-2203-203	586-2205-203	586-2206-203
159	T3 1/4	Wedge Base	6	Non-Polarized	586-2201-201	586-2202-201	586-2203-201	586-2205-201	586-2206-201
181	T3 1/4	Miniature Bayonet (BA9s)	14	Non-Polarized	586-6401-203	586-6402-203	586-6403-203	586-6405-203	586-6406-203
				High Brightness	586-2401-203	586-2402-203	586-2403-203	586-2405-203	586-2406-203
184, 193, 194	T3 1/4	Wedge Base	14	Non-Polarized	586-2201-203	586-2202-203	586-2203-203	586-2205-203	586-2206-203
199	S-8	Single Contact Bayonet (BA15s)	14	Polarized	586-4601-103	586-4602-103	586-4603-103	586-4605-103	586-4606-103

Incandescent Lamp/Based LED

Incandescent Lamp #	Size	Base Style	Operating Voltage (V DC)	Configuration	Dialight Based LED Part Number				
					Red	Green	Yellow	Blue	White
216	T3 1/4	Miniature Bayonet (BA9s)	14	Non-Polarized High Brightness	586-6401-203	586-6402-203	586-6403-203	586-6405-203	586-6406-203
				Non-Polarized	586-2401-203	586-2402-203	586-2403-203	586-2405-203	586-2406-203
259	T3 1/4	Wedge Base	6	Non-Polarized	586-2201-201	586-2202-201	586-2203-201	586-2205-201	586-2206-201
303, 305, 307, 315	S-8	Single Contact Bayonet (BA15s)	28	Polarized	586-4601-105	586-4602-105	586-4603-105	586-4605-105	586-4606-105
313	T3 1/4	Miniature Bayonet (BA9s)	28	Non-Polarized High Brightness	586-6401-205	586-6402-205	586-6403-205	586-6405-205	586-6406-205
				Non-Polarized	586-2401-205	586-2402-205	586-2403-205	586-2405-205	586-2406-205
327	T1 3/4	Midget Flange	28	Polarized	586-1101-105	586-1102-105	586-1103-105	586-1105-105	586-1106-105
328	T1 3/4	Midget Flange	6	Polarized	586-1101-101	586-1102-101	586-1103-101	586-1105-101	586-1106-101
330	T1 3/4	Midget Flange	14	Polarized	586-1101-103	586-1102-103	586-1103-103	586-1105-103	586-1106-103
345, 349, 350	T1 3/4	Midget Flange	6	Polarized	586-1101-101	586-1102-101	586-1103-101	586-1105-101	586-1106-101
376	T1 3/4	Midget Flange	28	Polarized	586-1101-105	586-1102-105	586-1103-105	586-1105-105	586-1106-105
377, 380, 381	T1 3/4	Midget Flange	6	Polarized	586-1101-101	586-1102-101	586-1103-101	586-1105-101	586-1106-101
382	T1 3/4	Midget Flange	14	Polarized	586-1101-103	586-1102-103	586-1103-103	586-1105-103	586-1106-103
385, 387	T1 3/4	Midget Flange	28	Polarized	586-1101-105	586-1102-105	586-1103-105	586-1105-105	586-1106-105
394	T1 3/4	Midget Flange	14	Polarized	586-1101-103	586-1102-103	586-1103-103	586-1105-103	586-1106-103
400, 464, 585, 655, 656, 657	T3 1/4	Wedge Base	28	Non-Polarized	586-2201-205	586-2202-205	586-2203-205	586-2205-205	586-2206-205
658	T3 1/4	Wedge Base	14	Non-Polarized	586-2201-203	586-2202-203	586-2203-203	586-2205-203	586-2206-203
444, 447	T3 1/4	Wedge Base	6	Non-Polarized	586-2201-201	586-2202-201	586-2203-201	586-2205-201	586-2206-201
502	T3 1/4	Miniature Screw	6	Non-Polarized	586-2701-201	586-2702-201	586-2703-201	586-2705-201	586-2706-201
555	T3 1/4	Wedge Base	6	Non-Polarized	586-2201-201	586-2202-201	586-2203-201	586-2205-201	586-2206-201
623	G-6	Single Contact Bayonet (BA15s)	28	Polarized	586-4601-105	586-4602-105	586-4603-105	586-4605-105	586-4606-105
631	G-6	Single Contact Bayonet (BA15s)	14	Polarized	586-4601-103	586-4602-103	586-4603-103	586-4605-103	586-4606-103
755	T3 1/4	Miniature Bayonet (BA9s)	6	Non-Polarized High Brightness	586-6401-201	586-6402-201	586-6403-201	586-6405-201	586-6406-201
				Non-Polarized	586-2401-201	586-2402-201	586-2403-201	586-2405-201	586-2406-201
756	T3 1/4	Miniature Bayonet (BA9s)	14	Non-Polarized High Brightness	586-6401-203	586-6402-203	586-6403-203	586-6405-203	586-6406-203
				Non-Polarized	586-2401-203	586-2402-203	586-2403-203	586-2405-203	586-2406-203
757	T3 1/4	Miniature Bayonet (BA9s)	28	Non-Polarized High Brightness	586-6401-205	586-6402-205	586-6403-205	586-6405-205	586-6406-205
				Non-Polarized	586-2401-205	586-2402-205	586-2403-205	586-2405-205	586-2406-205
1003, 1093, 1095, 1141, 1155, 1156, 1159	B-6/ S-8	Single Contact Bayonet (BA15s)	14	Polarized	586-4601-103	586-4602-103	586-4603-103	586-4605-103	586-4606-103

Incandescent Lamp/Based LED

Incandescent Lamp #	Size	Base Style	Operating Voltage	Configuration	Dialight Based LED Part Number				
					Red	Green	Yellow	Blue	White
1203, 1251	S-8	Single Contact Bayonet (BA15s)	28	Polarized	586-4601-105	586-4602-105	586-4603-105	586-4605-105	586-4606-105
1295	S-8	Single Contact Bayonet (BA15s)	14	Polarized	586-4601-103	586-4602-103	586-4603-103	586-4605-103	586-4606-103
1308	B-6	Single Contact Bayonet (BA15s)	28	Polarized	586-4601-105	586-4602-105	586-4603-105	586-4605-105	586-4606-105
1446, 1481, 1487	T3 1/4	Miniature Screw	14	Non-Polarized	586-2701-203	586-2702-203	586-2703-203	586-2705-203	586-2706-203
1488	T3 1/4	Miniature Bayonet (BA9s)	14	Non-Polarized High Brightness	586-6401-203	586-6402-203	586-6403-203	586-6405-203	586-6406-203
				Non-Polarized	586-2401-203	586-2402-203	586-2403-203	586-2405-203	586-2406-203
1591, 1665, 1683, 1691	S-8	Single Contact Bayonet (BA15s)	28	Polarized	586-4601-105	586-4602-105	586-4603-105	586-4605-105	586-4606-105
1813, 1815	T3 1/4	Miniature Bayonet (BA9s)	14	Non-Polarized High Brightness	586-6401-203	586-6402-203	586-6403-203	586-6405-203	586-6406-203
				Non-Polarized	586-2401-203	586-2402-203	586-2403-203	586-2405-203	586-2406-203
1819, 1820	T3 1/4	Miniature Bayonet (BA9s)	28	Non-Polarized High Brightness	586-6401-205	586-6402-205	586-6403-205	586-6405-205	586-6406-205
				Non-Polarized	586-2401-205	586-2402-205	586-2403-205	586-2405-205	586-2406-205
1821	T3 1/4	Miniature Screw	28	Non-Polarized	586-2701-205	586-2702-205	586-2703-205	586-2705-205	586-2706-205
1829, 1843	T3 1/4	Miniature Bayonet (BA9s)	28	Non-Polarized High Brightness	586-6401-205	586-6402-205	586-6403-205	586-6405-205	586-6406-205
				Non-Polarized	586-2401-205	586-2402-205	586-2403-205	586-2405-205	586-2406-205
1847, 1850, 1866	T3 1/4	Miniature Bayonet (BA9s)	6	Non-Polarized High Brightness	586-6401-201	586-6402-201	586-6403-201	586-6405-201	586-6406-201
				Non-Polarized	586-2401-201	586-2402-201	586-2403-201	586-2405-201	586-2406-201
1864, 1873	T3 1/4	Miniature Bayonet (BA9s)	28	Non-Polarized High Brightness	586-6401-205	586-6402-205	586-6403-205	586-6405-205	586-6406-205
				Non-Polarized	586-2401-205	586-2402-205	586-2403-205	586-2405-205	586-2406-205
1889, 1891, 1892, 1893, 1894, 1898	T3 1/4	Miniature Bayonet (BA9s)	14	Non-Polarized High Brightness	586-6401-203	586-6402-203	586-6403-203	586-6405-203	586-6406-203
				Non-Polarized	586-2401-203	586-2402-203	586-2403-203	586-2405-203	586-2406-203
2232, 2233	S-8	Single Contact Bayonet (BA15s)	28	Polarized	586-4601-105	586-4602-105	586-4603-105	586-4605-105	586-4606-105
2306	T1 3/4	Bi-Pin	6	Polarized	586-1301-101	586-1302-101	586-1303-101	586-1305-101	586-1306-101
2312, 2314	T1 3/4	Bi-Pin	28	Polarized	586-1301-105	586-1302-105	586-1303-105	586-1305-105	586-1306-105
2323	T1 3/4	Bi-Pin	6	Polarized	586-1301-101	586-1302-101	586-1303-101	586-1305-101	586-1306-101
2324, 2325	T1 3/4	Bi-Pin	28	Polarized	586-1301-105	586-1302-105	586-1303-105	586-1305-105	586-1306-105

Relampable Lamp Holders and Caps

Cross Reference



250 & 508 Holders use 507 Cartridges and 515 Connectors

Mounting Hole Size:	3/8" (9.53mm)
Light Source:	Neon Cartridge Incandescent Cartridge LED Cartridge
Available Colors:	Red, Yellow, White, Clear, Green
Voltage:	105-125V AC/DC (Neon) 10, 14, 28, 48, 120V DC (Incandescent & LED)
Termination:	Bi-Pins, Solder, turret
Mounting Style:	Front or Rear

*For more information please go to www.dialight.com



004 Holder uses 004 Caps and 113 Caps

Mounting Hole Size:	15/32" (11.91mm)
Light Source:	T1 3/4 Midget Flange
Available Colors:	Red, Clear
Voltage:	1.35-28V
Termination:	Solder or Screw
Mounting Style:	Front

*For more information please go to www.dialight.com

*See incandescent lamp cross reference guide for based LED bulbs available

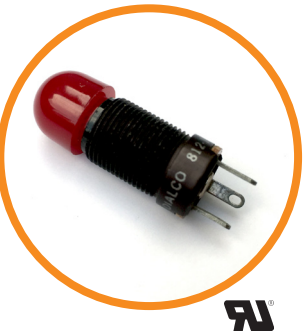


101 Holder uses 101 Caps, 111 Caps, 140 Caps

Mounting Hole Size:	15/32" (11.91mm)
Light Source:	T1 3/4 Midget Flange
Available Colors:	Red, Yellow, White, Clear, Green
Voltage:	1.35-28V
Termination:	Solder
Mounting Style:	Front or Rear

*For more information please go to www.dialight.com

*See incandescent lamp cross reference guide for based LED bulbs available



812 Holder uses 812 Caps

Mounting Hole Size:	15/32" (11.91mm)
Light Source:	T1 3/4 Midget Flange
Available Colors:	Red, Yellow, White, Clear, Green
Voltage:	1.35-28V
Termination:	Solder
Mounting Style:	Rear

*For more information please go to www.dialight.com

*See incandescent lamp cross reference guide for based LED bulbs available

Relampable Lamp Holders and Caps

Cross Reference



137 Holder uses 137 caps

Mounting Hole Size:	15/32" (11.91mm)
Light Source:	T2 Neon Midget Flange
Available Colors:	Red, Yellow, White, Clear
Voltage:	105-125V AC/DC
Termination:	Solder
Mounting Style:	Front

*For more information please go to www.dialight.com



162 Holder uses 162 caps

Mounting Hole Size:	15/32" (11.91mm)
Light Source:	T1 3/4 Midget Flange
Available Colors:	Red, Green, Yellow, White, Clear
Voltage:	1.35-28V
Termination:	Solder
Mounting Style:	Front

*For more information please go to www.dialight.com

*See incandescent lamp cross reference guide for based LED bulbs available



177 Holder uses 177 caps

Mounting Hole Size:	15/32" (11.91mm)
Light Source:	T1 3/4 Midget Flange
Available Colors:	Red, Green, Yellow, White, Clear
Voltage:	1.35-28V
Termination:	Solder
Mounting Style:	Front

*For more information please go to www.dialight.com

*See incandescent lamp cross reference guide for based LED bulbs available



270 Holder uses 270 caps, 271 Holder uses 271 caps

Mounting Hole Size:	15/32" (11.91mm)
Light Source:	T1 3/4 Midget Flange Incandescent
Available Colors:	Red, Green, Yellow, Clear
Voltage:	1.35-28V
Termination:	Solder or Screw
Mounting Style:	Front

*For more information please go to www.dialight.com

*See incandescent lamp cross reference guide for based LED bulbs available



021 Series

Mounting Hole Size:	11/16" (17.46mm)
Light Source:	T3 1/4 Miniature Bayonet (BA9s)
Available Colors:	Clear
Voltage:	2-120V
Termination:	Solder or Screw
Mounting Style:	Front

*For more information please go to www.dialight.com

*See incandescent lamp cross reference guide for based LED bulbs available

Relampable Lamp Holders and Caps

Cross Reference



081 Holder uses 081 Caps, 052 Caps, 095 Caps, 135 Caps

Mounting Hole Size:	11/16" (17.46mm)
Light Source:	T3 1/4 Miniature Neon Bayonet
Available Colors:	Red, Yellow, White, Clear
Voltage:	105-125V AC/DC
Termination:	Solder or Screw
Mounting Style:	Front

*For more information please go to www.dialight.com

*See incandescent lamp cross reference guide for based LED bulbs available



125 Holder uses 125 Caps

Mounting Hole Size:	11/16" (17.46mm)
Light Source:	T3 1/4 Miniature Bayonet (BA9s)
Available Colors:	Red, Yellow, Green, White, Clear
Voltage:	2-120V
Termination:	Solder or Screw
Mounting Style:	Front

*For more information please go to www.dialight.com

*See incandescent lamp cross reference guide for based LED bulbs available



125 Holder uses 125 Caps

Mounting Hole Size:	11/16" (17.46mm)
Light Source:	T3 1/4 Miniature Neon Bayonet
Available Colors:	Red, Yellow, White, Clear
Voltage:	105-125 AC/DC
Termination:	Solder or Screw, Quick-Connect
Mounting Style:	Front

*For more information please go to www.dialight.com

*See incandescent lamp cross reference guide for based LED bulbs available



123 Holder uses 123 Caps

Mounting Hole Size:	11/16" (17.46mm)
Light Source:	T3 1/4 Miniature Bayonet (BA9s)
Available Colors:	Red, Yellow, Green, White, Clear
Voltage:	2-120V
Termination:	Solder or Screw
Mounting Style:	Front

*For more information please go to www.dialight.com

*See incandescent lamp cross reference guide for based LED bulbs available



095 Holder uses 095 caps, 135 caps

Mounting Hole Size:	11/16" (17.46mm)
Light Source:	T3 1/4 Miniature Bayonet (BA9s)
Available Colors:	Red, Yellow, Green, White, Clear
Voltage:	2-120V
Termination:	Solder or Screw, Quick-Connect
Mounting Style:	Front

*For more information please go to www.dialight.com

*See incandescent lamp cross reference guide for based LED bulbs available

Relampable Lamp Holders and Caps

Cross Reference



031 Holder uses 031 Caps

Mounting Hole Size:	1" (25.40mm)
Light Source:	S-6 Candelabra Screw Incandescent
Available Colors:	Red, Yellow, Green, White, Clear
Voltage:	6-250V AC/DC
Termination:	Screw
Mounting Style:	Front

*For more information please go to www.dialight.com



051 Holder uses 051 Caps

Mounting Hole Size:	1" (25.40mm)
Light Source:	T3 1/4 Miniature Bayonet (BA9s)
Available Colors:	Red, Yellow, Green, White, Clear
Voltage:	2-120V
Termination:	Solder or Screw
Mounting Style:	Front

*For more information please go to www.dialight.com

*See incandescent lamp cross reference guide for based LED bulbs available



080 Holder uses 080 Caps, 051 Caps

Mounting Hole Size:	1" (25.40mm)
Light Source:	S-6 Candelabra Screw Incandescent
Available Colors:	Red, Yellow, Green, White, Clear
Voltage:	6-250V AC/DC
Termination:	Solder or Screw
Mounting Style:	Front

*For more information please go to www.dialight.com



103 Holder uses 103 Caps

Mounting Hole Size:	1" (25.40mm)
Light Source:	S-6 Candelabra Screw Incandescent
Available Colors:	Red, Yellow, Green, White, Clear
Voltage:	6-250V AC/DC
Termination:	Solder or Screw
Mounting Style:	Front

*For more information please go to www.dialight.com



103 Holder uses 103 Caps

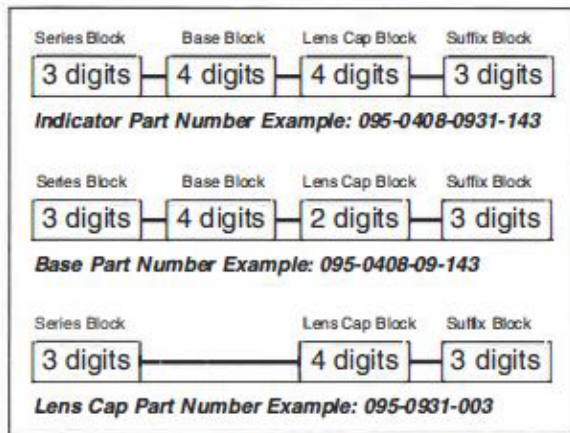
Mounting Hole Size:	1" (25.40mm)
Light Source:	S-6 Double Contact Bayonet
Available Colors:	Red, Yellow, Green, White, Clear
Voltage:	24-250V AC/DC
Termination:	Solder or Screw
Mounting Style:	Front

*For more information please go to www.dialight.com



Neon & Incandescent Panel Mount Indicator Part Numbering System

Dialight Neon and Incandescent Panel Mount Indicators are available as complete assemblies from our distributor partners or from us as separate lens cap and base. Our Part Numbering System shown below describes how valid Dialight part numbers are configured. The Dialight Part Numbering System should not be used for creating part numbers since not all combinations are manufacturable. Please consult Dialight or our stocking distributors for those items not found in this catalog.



STEP 1 Lens Shape and Material

095 - 0408 - **09** 31 - 143
 095 - **09** 31 - 003

The first two digits in the Lens Cap Block of the indicator, base or cap part numbers designate the lens shape and material. In this example, 09 = plastic stovepipe.

Lens Code	Description
00	Rectangular, plastic
01	Convex, polycarbonate
02	Flat, polycarbonate
03	Flat, plastic
04	Convex, faceted, polycarbonate
05	Torpedo, polycarbonate
06	Convex, plastic
08	Dome, plastic
09	Stovepipe, plastic
11	Stovepipe, polycarbonate with bezel
12	Dome, polycarbonate
13	Torpedo faceted, polycarbonate
14	Short cylindrical, plastic
15	Long cylindrical, plastic
16	Long cylindrical, fresnel, plastic
18	Square, plastic
21	Faceted, plastic
29	Light shield
31	Stovepipe, polycarbonate
32	Short cylindrical, polycarbonate
33	Short cylindrical, fresnel, plastic
34	Rectangular, plastic
35	Short cylindrical, fresnel, polycarbonate
37	Short stovepipe, fresnel, plastic
50	Black opaque side wall

STEP 2 Lens Finish and Color

095 - 0408 - 09 **31** - 143

The third and fourth digits of the Lens Cap Block designate the lens finish and color respectively. In this example, 31 = a transparent red lens.

- | | |
|------------------------------|-----------------------|
| Lens Finish | Lens Color |
| 1 - Back Frosted* | 1 - Red |
| 3 - Unfrosted or Transparent | 2 - Green |
| 5 - Light Translucent | 3 - Yellow (Amber) |
| 7 - Dark Translucent** | 4 - Blue |
| 9 - Internal Fluting | 5 - White |
| | 6 - Light Yellow |
| | 7 - Clear (Colorless) |

* Not available with Lens Color Option 5 (White)
 ** Not available with Lens Color Option 7 (Clear/Colorless)

STEP 3 Metal Finish

095 - 0408 - 0931 - **1** 43

The first digit of the Suffix Block designates metal finish. In this example, 1 = white nickel plated metal finish.

- | | |
|---------------------|--------------------|
| Metal Finish | |
| 0 - None | 4 - Satin Chrome |
| 1 - White Nickel | 5 - Black Anodized |
| 2 - Black Nickel | 6 - Clear Anodized |
| 3 - Polished Chrome | 7 - Chromate |

STEP 4 Built-in Resistor

095 - 0408 - 0931 - 1 **4** 3

The second digit of the Suffix Block designates built-in resistor. In this neon indicator example, 4 = 56K internal resistor.

- | | |
|----------|----------|
| 0 - None | 4 - 56K |
| 1 - 2K | 6 - 68K |
| 2 - 27K | 7 - 100K |
| 3 - 33K | |

STEP 5 Hardware

095 - 0408 - 0931 - 14 **3**

The third digit of the Suffix Block designates type of hardware. In this example, 3 = watertight.

- | | |
|----------------|---------------------------|
| 0 - None | 4 - Aluminum |
| 1 - Brass | 5 - Three rings |
| 2 - Steel | 6 - Ring, lockwasher, nut |
| 3 - Watertight | 7 - Insulated mounting |

* Due to inventory purposes the 14 digit part number has now been separated into the appropriate cap and base numbers.

Military Panel Mount Indicators

LHC = lampholder with cap

LH = lampholder only

LC = lens cap only

All indicators must meet or exceed Military specifications.

All lamps are daylight viewable.



359 Series LH73/1, LC11

Mounting Hole Size:	15/32" (11.91mm)
Light Source:	T1 3/4 Midget
Available Colors:	Red, Green, Yellow
Voltage:	2.7-28V
Termination:	Solder Tabs
Mounting Style:	Nut and Washer
Relampable:	Yes

*For more information please go to www.dialight.com

*See incandescent lamp cross reference guide for based LED bulbs available



360 Series LH73/1, LC11, LC12, LC29

Mounting Hole Size:	15/32" (11.91mm)
Light Source:	T1 3/4 Midget
Available Colors:	Red, Green, Yellow
Voltage:	2.7-28V
Termination:	Solder Tabs
Mounting Style:	Nut and Washer
Relampable:	Yes

*For more information please go to www.dialight.com

*See incandescent lamp cross reference guide for based LED bulbs available



361 Series LH74/1, LC13

Mounting Hole Size:	15/32" (11.91mm)
Light Source:	T2 (C7A) Neon
Available Colors:	Red, Yellow, Clear
Voltage:	120 VAC/DC
Termination:	Solder Tabs
Mounting Style:	Nut and Washer
Relampable:	Yes

*For more information please go to www.dialight.com



363 Series LH73/2, LC25

Mounting Hole Size:	15/32" (11.91mm)
Light Source:	T1 3/4 Midget
Available Colors:	Red, Yellow, Clear
Voltage:	2.7-28V
Termination:	Solder Tabs
Mounting Style:	Nut and Washer
Relampable:	Yes

*For more information please go to www.dialight.com

*See incandescent lamp cross reference guide for based LED bulbs available

Military Panel Mount Indicators

LHC = lampholder with cap

LH = lampholder only

LC = lens cap only

All indicators must meet or exceed Military specifications.

All lamps are daylight viewable.



367 Series LH89/1, LC25

Mounting Hole Size:	15/32" (11.91mm)
Light Source:	T1 3/4 Midget
Available Colors:	Red, Green, Yellow
Voltage:	2.7-28V
Termination:	Solder Tabs
Mounting Style:	Nut and Washer
Relampable:	Yes
Features:	Oiltight

*For more information please go to www.dialight.com

*See incandescent lamp cross reference guide for based LED bulbs available



368 and 369 Series LH89/1, LC35. LC36. LC37

Mounting Hole Size:	15/32" (11.91mm)
Light Source:	T1 3/4 Midget
Available Colors:	Red, Green, Yellow
Voltage:	2.7-28V
Termination:	Solder Tabs
Mounting Style:	Nut and Washer
Relampable:	Yes
Features:	Oiltight

*For more information please go to www.dialight.com

*See incandescent lamp cross reference guide for based LED bulbs available



800 Series MS25041

Mounting Hole Size:	15/32" (11.91mm)
Light Source:	T1 3/4 Midget
Available Colors:	Red, Green, Yellow
Voltage:	2.7-28V
Termination:	Solder Tabs
Mounting Style:	Nut and Washer
Relampable:	Yes
Features:	Press to Test

*For more information please go to www.dialight.com

*See page 74-76 for Based LED Bulbs Available



801 Series MS25041

Mounting Hole Size:	15/32" (11.91mm)
Light Source:	T1 3/4 Midget
Available Colors:	Red, Green, Yellow
Voltage:	2.7-28V
Termination:	Solder Tabs
Mounting Style:	Nut and Washer
Relampable:	Yes
Features:	Press to Test

*For more information please go to www.dialight.com

*See incandescent lamp cross reference guide for based LED bulbs available

Military Panel Mount Indicators

LHC = lampholder with cap

LH = lampholder only

LC = lens cap only

All indicators must meet or exceed Military specifications.

All lamps are daylight viewable.



803 Series MS25331

Mounting Hole Size:	5/8" (15.88mm)
Light Source:	T3 1/4 Mini Bayonet (BA9s)
Available Colors:	Red, Green, Yellow, Clear, Blue
Voltage:	2.7-28V
Termination:	Solder Tabs
Mounting Style:	Nut and Washer
Relampable:	Yes
Features:	Press to Test

*For more information please go to www.dialight.com

*See incandescent lamp cross reference guide for based LED bulbs available



804 Series MS25331

Mounting Hole Size:	5/8" (15.88mm)
Light Source:	T3 1/4 Mini Bayonet
Available Colors:	Red, Green, Yellow, Clear, Blue
Voltage:	2.7-28V
Termination:	Solder Tabs
Mounting Style:	Nut and Washer
Relampable:	Yes
Features:	Press to Test

*For more information please go to www.dialight.com

*See incandescent lamp cross reference guide for based LED bulbs available



373 Series LH76/1, LH 6/2, LH76/3, LC14

Mounting Hole Size:	11/16" (17.46mm)
Light Source:	T3 1/4 Neon, T3 1/4 Mini Bayonet (BA9s)
Available Colors:	Red, Green, Yellow, White, Clear, Blue
Voltage:	2-120V
Termination:	Solder Tabs
Mounting Style:	Nut and Washer
Relampable:	Yes
Features:	Watertight Lens available for Semi and blackout

*For more information please go to www.dialight.com



375 Series LH76/1, LH7 6/2, LH7 6/3, LC17

Mounting Hole Size:	11/16" (17.46mm)
Light Source:	T3 1/4 Neon, T3 1/4 Mini Bayonet (BA9s)
Available Colors:	Red, Green, Yellow, White, Clear, Blue
Voltage:	2-120V
Termination:	Solder Tabs
Mounting Style:	Nut and Washer
Relampable:	Yes
Features:	Watertight Lens available for Semi and blackout

*For more information please go to www.dialight.com

Military Panel Mount Indicators

LHC = lampholder with cap

LH = lampholder only

LC = lens cap only

All indicators must meet or exceed Military specifications.

All lamps are daylight viewable.



376 Series LH76/1, LH76/2, LH76/3, LC14, LC17, LC18

Mounting Hole Size:	11/16" (17.46mm)
Light Source:	T3 1/4 Neon, T3 1/4 Mini Bayonet (BA9s)
Available Colors:	Red, Green, Yellow, White, Clear, Blue
Voltage:	2-120V
Termination:	Solder Tabs
Mounting Style:	Nut and Washer
Relampable:	Yes
Features:	Watertight Lens available for Semi and blackout

*For more information please go to www.dialight.com



378 Series LH79/1, LC21

Mounting Hole Size:	1" (25.40mm)
Light Source:	S-6 Double Contact Bayonet
Available Colors:	Red, Green, Yellow, White, Clear, Blue
Voltage:	S6-32V
Termination:	Solder Tabs
Mounting Style:	Nut and Washer
Relampable:	Yes
Features:	Lens available for Semi and blackout

*For more information please go to www.dialight.com



379 Series LH79/1, LC24

Mounting Hole Size:	1" (25.40mm)
Light Source:	S-6 Double Contact Bayonet
Available Colors:	Red, Green, Yellow, White, Clear, Blue
Voltage:	24-250V
Termination:	Solder Tabs
Mounting Style:	Nut and Washer
Relampable:	Yes
Features:	Lens available for Semi and blackout

*For more information please go to www.dialight.com



380 and 381 Series LH80/1, LC24

Mounting Hole Size:	1" (25.40mm)
Light Source:	S-6 Double Contact Bayonet
Available Colors:	Red, Green, Yellow, White, Clear, Blue
Voltage:	24-250V
Termination:	Solder Tabs
Mounting Style:	Nut and Washer
Relampable:	Yes
Features:	Lens available for Semi and blackout

*For more information please go to www.dialight.com

Military cross reference guide

LC and LH, MS Military Designations to Dialight Part Numbers

MILITARY SPECIFICATION:

MIL-DTL-3661C-Lampholders, Indicator Lights, Indicator-Light Housings, Indicator-Light Lenses

<u>MILITARY DESIGNATION</u>	<u>DIALIGHT PART NO.</u>	<u>MILITARY DESIGNATION</u>	<u>DIALIGHT PART NO.</u>	<u>MILITARY DESIGNATION</u>	<u>DIALIGHT PART NO.</u>
LC11BN2	178-0334-500	LC17RN3	*203-0131-203	LC23GN3	209-0132-203
LC11BT2	178-0374-500	LC17WT3	*203-0135-203	LC23RD3	209-0111-203
LC11CN2	*178-0337-500	LC17YD3	203-0113-203	LC23RN3	*209-0131-203
LC11GN2	178-0332-500	LC17YN3	*203-0133-203	LC23WT3	*209-0135-203
LC11GT2	178-0372-500	LC18BD3	204-0114-203	LC23YD3	209-0113-203
LC11RN2	*178-0331-500	LC18BN3	204-0134-203	LC23YN3	*209-0133-203
LC11RT2	178-0371-500	LC18CD3	204-0117-203	LC24BD3	210-0114-203
LC11WT2	178-0375-500	LC18CN3	*204-0137-203	LC24BN3	210-0134-203
LC11YN2	*178-0333-500	LC18GD3	204-0112-203	LC24CD3	210-0117-203
LC11YT2	178-0373-500	LC18GN3	204-0132-203	LC24CN3	*210-0137-203
LC12BN2	162-0934	LC18RD3	204-0111-203	LC24GD3	210-0112-203
LC12BT2	162-0974	LC18RN3	*204-0131-203	LC24GN3	210-0132-203
LC12CN2	*162-0937	LC18YD3	204-0113-203	LC24RD3	210-0111-203
LC12GN2	162-0932	LC18YN3	*204-0133-203	LC24RN3	*210-0131-203
LC12GT2	162-0972	LC19BD3	169-1114-203	LC24WT3	*210-0135-203
LC12RN2	*162-0931	LC19BN3	169-1134-203	LC24YD3	210-0113-203
LC12RT2	162-0971	LC19CD3	169-1117-203	LC24YN3	*210-0133-203
LC12WT2	162-0975	LC19CN3	*169-1137-203	LC25BN2	239-0334-500
LC12YN2	*162-0933	LC19GD3	169-1112-203	LC25BT2	239-0374-500
LC12YT2	162-0973	LC19GN3	169-1132-203	LC25CN2	*239-0337-500
LC13CN2	*137-0937	LC19RD3	169-1111-203	LC25GN2	239-0332-500
LC13RN2	*137-0931	LC19RN3	*169-1131-203	LC25GT2	239-0372-500
LC13WT2	*137-0935	LC19WT3	*169-1135-203	LC25RN2	*239-0331-500
LC13YN2	*137-0933	LC19YD3	169-1113-203	LC25RT2	239-0371-500
LC14BD3	081-0114-203	LC19YN3	*169-1133-203	LC25WT2	239-0375-500
LC14BN3	081-0134-203	LC20BN3	169-1194-203	LC25YN2	*239-0333-500
LC14CD3	081-0117-203	LC20CN3	*169-1197-203	LC25YT2	239-0373-500
LC14CN3	*081-0137-203	LC20GN3	169-1192-203	LC29BN2	162-1434
LC14GD3	081-0112-203	LC20RN3	*169-1191-203	LC29BT2	162-1474
LC14GN3	081-0132-203	LC20WT3	*169-1195-203	LC29CN2	*162-1437
LC14RD3	081-0111-203	LC20YN3	*169-1193-203	LC29GN2	162-1432
LC14RN3	*081-0131-203	LC21BD3	051-0114-203	LC29GT2	162-1472
LC14WT3	*081-0135-203	LC21BN3	051-0134-203	LC29RN2	*162-1431
LC14YD3	081-0113-203	LC21CD3	051-0117-203	LC29RT2	162-1471
LC14YN3	*081-0133-203	LC21CN3	*051-0137-203	LC29WT2	162-1475
LC15BD3	026-1114-203	LC21GD3	051-0112-203	LC29YN2	*162-1433
LC15BN3	026-1134-203	LC21GN3	051-0132-203	LC29YT2	162-1473
LC15CN3	*026-1137-203	LC21RD3	051-0111-203	LC30BN3	250-3534-500
LC15GD3	026-1112-203	LC21RN3	*051-0131-203	LC30GN3	250-3532-500
LC15GN3	026-1132-203	LC21WT3	*051-0135-203	LC30RN3	250-3531-500
LC15RD3	026-1111-203	LC21YD3	051-0113-203	LC30WT3	250-3535-500
LC15RN3	*026-1131-203	LC21YN3	*051-0133-203	LC30YN3	250-3533-500
LC15WT3	*026-1135-203	LC22BD3	080-0514-203	LC32BT2	250-1474-500
LC15YD3	026-1113-203	LC22BN3	080-0534-203	LC32GT2	250-1472-500
LC15YN3	*026-1133-203	LC22CD3	080-0517-203	LC32RT2	250-1471-500
LC16BN3	026-1194-203	LC22CN3	*080-0537-203	LC32WT2	250-1475-500
LC16CN3	*026-1197-203	LC22GD3	080-0512-203	LC32YT2	250-1473-500
LC16GN3	026-1192-203	LC22GN3	080-0532-203	LC33CN2	*130-0937-003
LC16RN3	*026-1191-203	LC22RD3	080-0511-203	LC33RN2	*130-0931-003
LC16WT3	*026-1195-203	LC22RN3	*080-0531-203	LC33WT2	*130-0935-003
LC16YN3	*026-1193-203	LC22WT3	*080-0535-203	LC33YN2	*130-0933-003
LC17BD3	203-0114-203	LC22YD3	080-0513-203	LC34CN2/DO2	*271-0171
LC17BN3	203-0134-203	LC22YN3	*080-0533-203	LC34CN2/SO2	*271-0272
LC17CD3	203-0117-203	LC23BD3	209-0114-203	LC34EN2/DO2	*271-0111
LC17CN3	*203-0137-203	LC23BN3	209-0134-203	LC34EN2/EN2	*271-3111
LC17GD3	203-0112-203	LC23CD3	209-0117-203	LC34EN2/SO2	*271-0212
LC17GN3	203-0132-203	LC23CN3	*209-0137-203	LC35BN2	128-0934-003
LC17RD3	203-0111-203	LC23GD3	209-0112-203	LC35BT2	128-0974-003

* Can be used with Based LED Replacement Lamps

Military cross reference guide

LC and LH, MS Military Designations to Dialight Part Numbers

MILITARY SPECIFICATION:

MIL-DTL-3661C-Lampholders, Indicator Lights, Indicator-Light Housings, Indicator-Light Lenses

<u>MILITARY DESIGNATION</u>	<u>DIALIGHT PART NO.</u>	<u>MILITARY DESIGNATION</u>	<u>DIALIGHT PART NO.</u>	<u>MILITARY DESIGNATION</u>	<u>DIALIGHT PART NO.</u>
LC35CN2.....	*128-0937-003	LH88/2.....	366-8864-09-523	MS18236-1YN.....	507-5338-0933-630
LC35GN2.....	128-0932-003	LH89/1.....	367-8430-09-503	MS18236-2CN.....	507-5337-0937-670
LC35GT2.....	128-0972-003	LH90/1.....	370-8738-504	MS18236-2RN.....	507-5337-0931-670
LC35RN2.....	*128-0931-003	LH90/2.....	371-8738-14-504	MS18236-2WT.....	507-5337-0935-670
LC35RT2.....	128-0971-003	LH90/3.....	371-8760-14-504	MS18236-2YN.....	507-5337-0933-670
LC35WT2.....	128-0975-003	LH92/1.....	271-8430-702	MS18237-1CN.....	507-5338-1537-630
LC35YN2.....	*128-0933-003	LHC82/1BT2.....	252-9951-0974	MS18237-1RN.....	507-5338-1531-630
LC35YT2.....	128-0973-003	LHC82/1CN2.....	252-9951-0937	MS18237-1WT.....	507-5338-1535-630
LC36BD2.....	160-0114-203	LHC82/1GT2.....	252-9951-0972	MS18237-1YN.....	507-5338-1533-630
LC36CD2.....	160-0117-203	LHC82/1RT2.....	252-9951-0971	MS18237-2CN.....	507-5337-1537-670
LC36GD2.....	160-0112-203	LHC82/1WT2.....	252-9951-0975	MS18237-2RN.....	507-5337-1531-670
LC36RD2.....	160-0111-203	LHC82/1YT2.....	252-9951-0973	MS18237-2WT.....	507-5337-1535-670
LC36YD2.....	160-0113-203	MS18235-1BT.....	507-3909-1474-600	MS18237-2YN.....	507-5337-1533-670
LC37BD2.....	161-0114-203	MS18235-1CN.....	507-3909-1437-600	MS18238-1.....	507-6022-1437-600
LC37CD2.....	161-0117-203	MS18235-1GT.....	507-3909-1472-600	MS18238-2.....	507-6023-1437-600
LC37GD2.....	161-0112-203	MS18235-1RT.....	507-3909-1471-600	MS25256-2.....	*162-8430-0933-502
LC37RD2.....	161-0111-203	MS18235-1WT.....	507-3909-1475-600	MS25256-4.....	162-8430-0932-502
LC37YD2.....	161-0113-203	MS18235-1YT.....	507-3909-1473-600	MS25256-6.....	*162-8430-0931-502
LH73/1.....	359-8430-09-502	MS18235-2BT.....	507-3914-1474-600	MS25256-8.....	*162-8430-0937-502
LH73/2.....	362-8430-09-702	MS18235-2CN.....	507-3914-1437-600	MS25256-10.....	162-8430-0975-502
LH74/1.....	361-8836-09-552	MS18235-2GT.....	507-3914-1472-600	MS25256-12.....	162-8430-0934-502
LH74/2.....	361-8864-09-522	MS18235-2RT.....	507-3914-1471-600	MS25257-2.....	137-8836-0933-552
LH74/3.....	364-8836-09-752	MS18235-2WT.....	507-3914-1475-600	MS25257-4.....	137-8836-0931-552
LH74/4.....	364-8864-09-722	MS18235-2YT.....	507-3914-1473-600	MS25257-6.....	137-8836-0937-552
LH76/1.....	373-0408-01-273	MS18235-3BT.....	507-3918-1474-600	MS25446-2**.....	252-9951-0974
LH76/2.....	373-0463-01-223	MS18235-3CN.....	507-3918-1437-600	MS25446-3**.....	252-9951-0972
LH76/3.....	373-0410-01-203	MS18235-3GT.....	507-3918-1472-600	MS25446-4**.....	252-9951-0971
LH77/1.....	377-0408-11-273	MS18235-3RT.....	507-3918-1471-600	MS25446-5**.....	252-9951-0975
LH77/2.....	377-0463-11-223	MS18235-3WT.....	507-3918-1475-600	MS25446-6**.....	252-9951-0973
LH77/3.....	377-0410-11-203	MS18235-3YT.....	507-3918-1473-600	MS25446-7**.....	252-9951-0937
LH79/1.....	378-3404-01-203	MS18236-1CN.....	507-5338-0937-630		
LH80/1.....	378-3402-01-203	MS18236-1RN.....	507-5338-0931-630		
LH88/1.....	366-8836-09-553	MS18236-1WT.....	507-5338-0935-630		

** See LHC82/1

MILITARY SPECIFICATION:

MIL-L-7806-Light, Panel Plastic Plate Lighting

MS25010A11A.....	*270-1930-0111-702	MS25010B11A.....	*270-1830-0111-702	MS25010C11B.....	*271-8430-0111-702
MS25010A12A.....	*270-1930-0171-702	MS25010B12A.....	*270-1830-0171-702	MS25010C12B.....	*271-8430-0171-702
MS25010A13A.....	*270-1930-3111-702	MS25010B13A.....	*270-1830-3111-702	MS25010C13B.....	*271-8430-3111-702
MS25010A14A.....	CONSULT FACTORY	MS25010B14A.....	CONSULT FACTORY	MS25010C14B.....	*271-8430-3171-702
MS25010A15A.....	*270-1930-0212-702	MS25010B15A.....	*270-1830-0212-702	MS25010C15B.....	*271-8430-0212-702
MS25010A16A.....	*270-1930-0272-702	MS25010B16A.....	*270-1830-0272-702	MS25010C16B.....	*271-8430-0272-702

MILITARY SPECIFICATION:

MIL-L-7961C-Light, Indicator, Press-to-Test

MS25041-1.....	*801-1030-0337-504	MS25041-7.....	800-1030-0332-504	MS25331-3.....	804-1710-0332-504
MS25041-2.....	*801-1030-0331-504	MS25041-8.....	*800-1030-0333-504	MS25331-4.....	804-1710-0333-504
MS25041-3.....	801-1030-0332-504	MS25041-10.....	801-1030-0334-504	MS25331-5.....	803-1710-0337-504
MS25041-4.....	*801-1030-0333-504	MS25041-11.....	800-1030-0334-504	MS25331-6.....	803-1710-0331-504
MS25041-5.....	*800-1030-0337-504	MS25331-1.....	804-1710-0337-504	MS25331-7.....	803-1710-0332-504
MS25041-6.....	*800-1030-0331-504	MS25331-2.....	804-1710-0331-504	MS25331-8.....	803-1710-0333-504

*Can be used with Based LED Replacement Lamps.

North American HQ

1501 Route 34 South
Farmingdale, NJ 07727

Tel: 732-919-3119

Fax: 732-751-5778

info@dialight.com