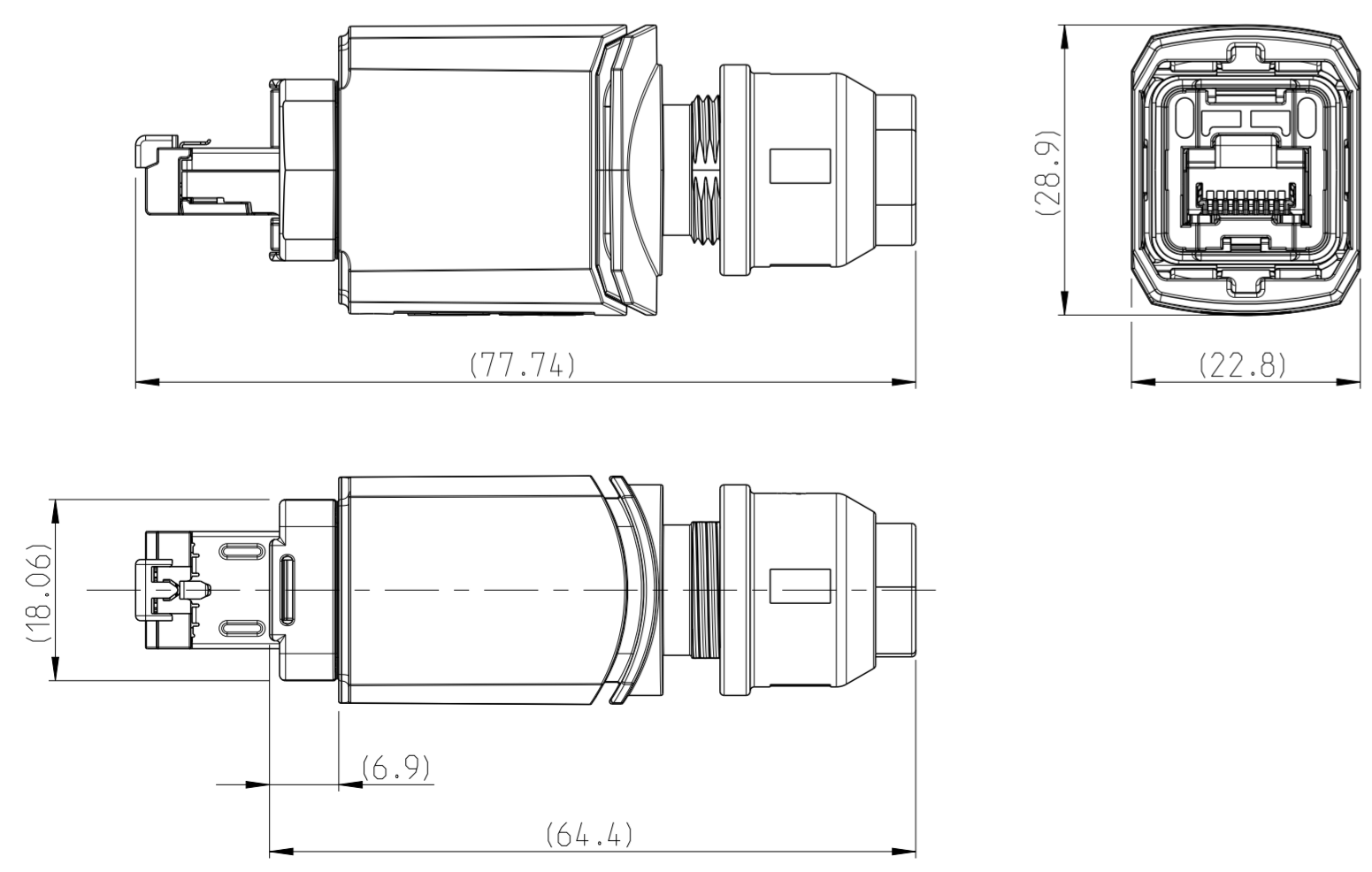


-1 AS SHOWN  
-1 WIE GEZEICHNET

- 1 MOUNTING-CYCLE:  
- APPLICATION SEE INSTRUCTION SHEET 411-18564
  - 2 PACKAGING:  
- CONNECTOR SET PACKED INTO BLISTER PACKAGE.  
- BLISTER PACKAGE PACKED INTO CARTON
  - 3 RJ45 APPLICATION ACC. IEC 60076-3-117 AND INTERFACE DIM.
  - 4 NOT SHOWN
- 
- 1 MONTAGE:  
- VERARBEITUNG SIEHE MONTAGEANWEISUNG 411-18564
  - 2 VERPACKUNG:  
- STECKER SET IN BLISTERVERPACKUNG VERPACKT  
- BLISTERVERPACKUNG TRAY IN KARTON VERPACKT
  - 3 RJ45 ANWENDUNG NACH IEC 60076-3-117 UND SCHNITTSTELLENMASSE
  - 4 NICHT DARGESTELLT

DIMENSION IN ASSEMBLED CONDITION  
MASSE IM ASSEMBLIERTEN ZUSTAND  
SCALE / M 3:2



Size ISO 14405 (E)

QUANTITY STUECK		ITEM-NO. POS.	DESCRIPTION BENENNUNG	SURFACE OBERFLAECHE COLOUR/FARBE	MATERIAL
-	-	1	5	BLISTER PACKAGE BLISTERVERPACKUNG	-
-	-	1	4	INSTRUCTION SHEET MONTAGEANWEISUNG	-
-	-	1	3	PUSH PULL, SUB-ASSY PUSH PULL, SUB-ASSY	3-5 µm Ni OVER 8 µm Cu
-	-	1	2	COMMON CORE ASSY 8POS.. GIGABIT GEM. KERN ASSY 8POL.. GIGABIT	-
-	-	1	1	ADAPTER RJ45, CAT5e PLUG, VARIANTE 14 ADAPTER RJ45, CAT5e STECKER, VARIANTE 14	BLACK SCHWARZ
					PBT-GF20

TE  
ORDER-NO.  
BESTELL-NR.

THIS DRAWING IS A CONTROLLED DOCUMENT. DIMENSIONING AND TOLERANCING PER GPS (ISO STANDARDS). DIMENSIONS: MASSE IN HEITEN: (MM). TOLERANCES UNLESS OTHERWISE SPECIFIED: ALLGEMEINTOLERANZEN. 0 PLC ±0.2, 1 PLC ±0.2, 2 PLC ±0.2, 3 PLC ±, 4 PLC ±, ANGLES/WINKEL ±2°, FINISH/OBERFLAECHE/FARBE.

DWN: S. HASS, 20SEP2013  
CHK: M. STRELOW, 20SEP2013  
APVD: C. SCHRETTLINGER, 20SEP2013

PRODUCT SPEC: 108-94207  
APPLICATION SPEC: VERARBEITUNGSSPEZ.

WEIGHT: 78.6g

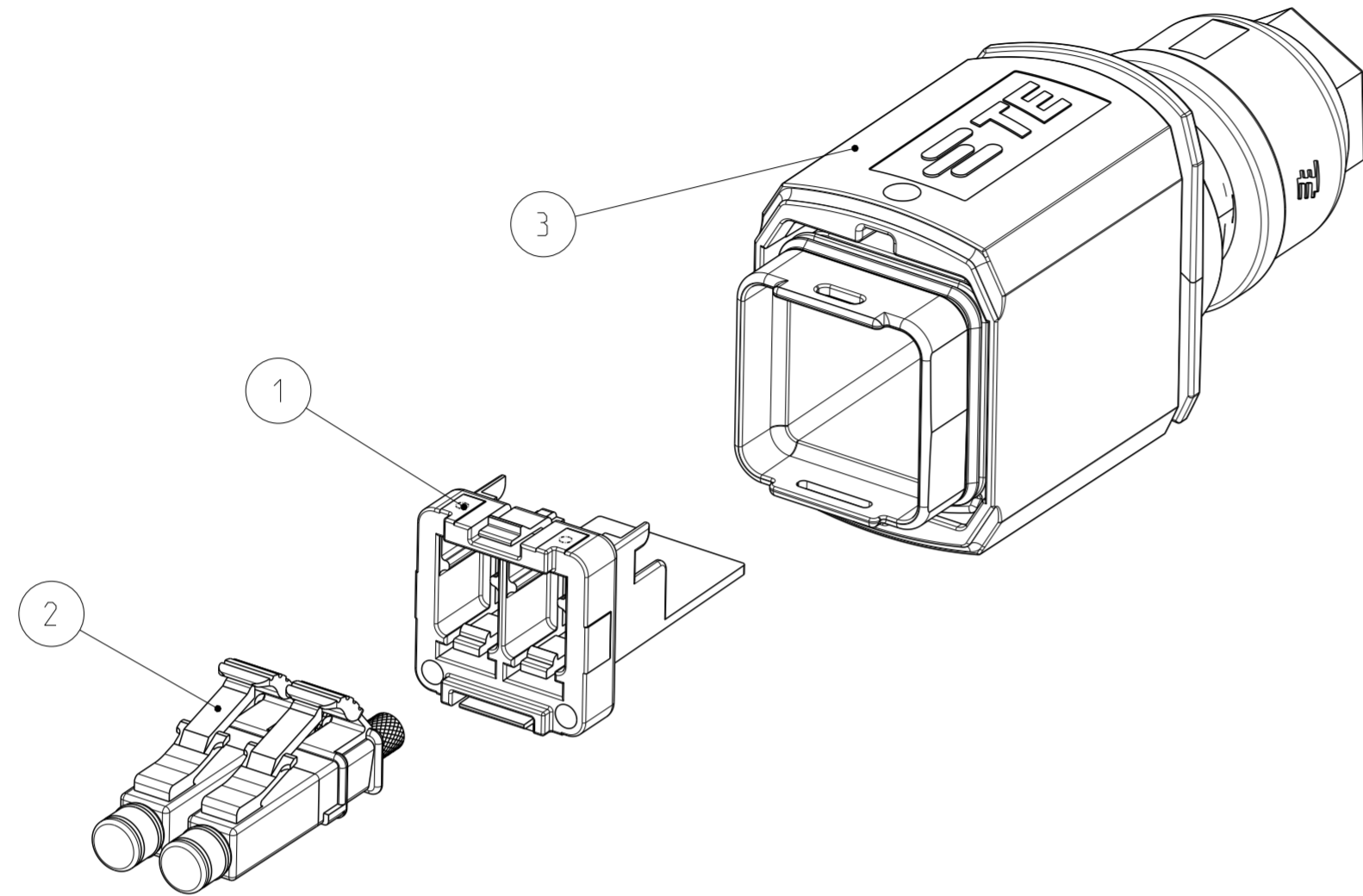
Customer Drawing

NAME: VARIANTE 14, PLUG METALL VARIANTE 14, PLUG METALL RJ45, CAT5e, 8POS. GIGABIT

SIZE: A2, CAGE CODE: 00779, DRAWING NO: C-2120864, RESTRICTED TO NUR FUER: -

SCALE: 2:1, SHEET: 1 OF 4, REV: A1

P		LTR	REVISIONS ÄNDERUNGEN	DATE	DWN	APVD
			DESCRIPTION BESCHREIBUNG			
	-		SEE SHEET 1	-	-	-

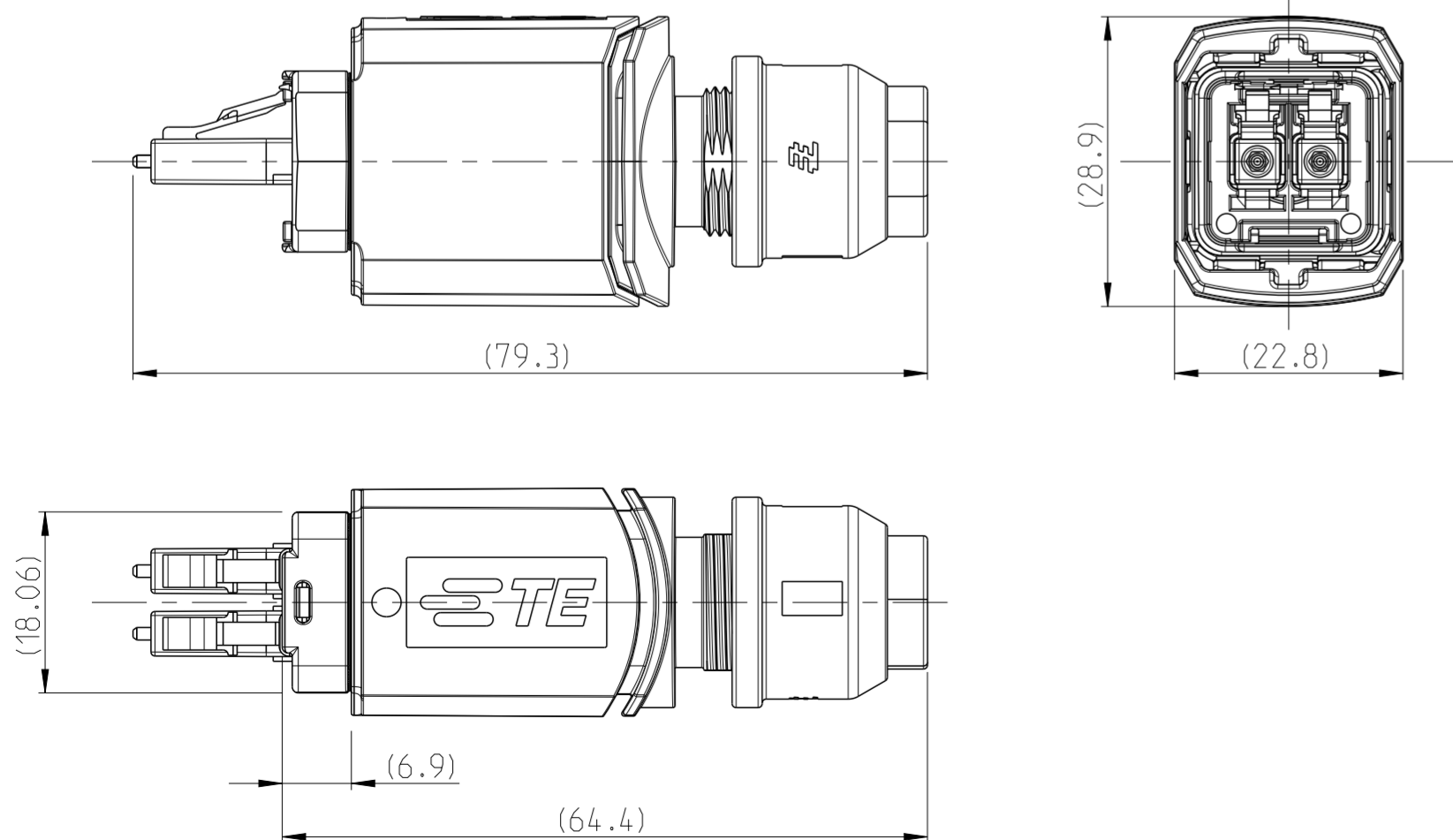


- 1 MOUNTING-CYCLE:  
- APPLICATION SEE INSTRUCTION SHEET 411-18565
- 2 PACKAGING:  
- CONNECTOR SET PACKED INTO BLISTER PACKAGE  
- BLISTER PACKAGE PACKED INTO CARTON
- 3 CONNECTOR APPLICATION ACC. INSTRUCTION SHEET 408-8925
- 4 NOT SHOWN

- 1 MONTAGE:  
- VERARBEITUNG SIEHE MONTAGEANWEISUNG 411-18565
- 2 VERPACKUNG:  
- STECKER SET IN BLISTERVERPACKUNG VERPACKT  
- BLISTERVERPACKUNG IN KARTON VERPACKT
- 3 STECKVERBINDER MONTAGE NACH ARBEITSANWEISUNG 408-8925
- 4 NICHT DARGESTELLT

2--1 AS SHOWN  
2--1 WIE GEZEICHNET

DIMENSION IN ASSEMBLED CONDITION  
MASSE IM ASSEMBLIERTEN ZUSTAND  
SCALE / M 3:2



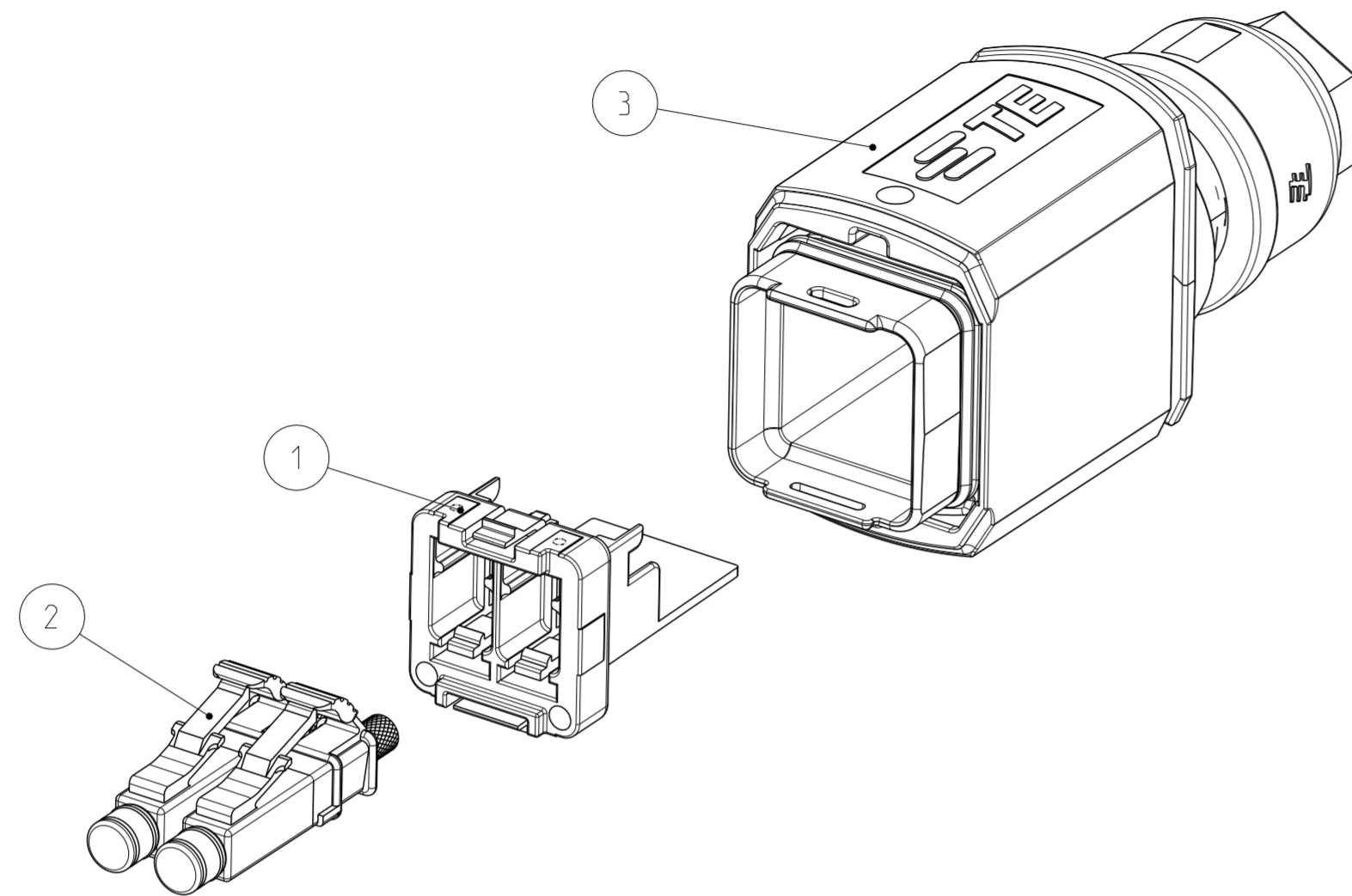
Size ISO 14405 (E)

QUANTITY STÜCK		ITEM-NO. POS.	DESCRIPTION BENENNUNG	SURFACE OBERFLÄCHE COLOUR/FARBE	MATERIAL
-	-	1	5 BLISTER PACKAGE BLISTERVERPACKUNG	-	-
-	-	1	4 INSTRUCTION SHEET MONTAGEANWEISUNG	-	-
-	-	1	3 PUSH PULL, SUB-ASSY PUSH PULL, SUB-ASSY	3-5 µm Ni OVER 8 µm Cu	ZP0410 DIN 12833
-	-	2	2 CONNECTOR ASSEMBLY ONE-PIECE LC. SINGLE MODE GLASFASERVERBINDER, LC, SINGLEMODE	BLUE BLAU	-
-	-	1	1 ADAPTER FIBER OPTIC PLUG, VARIANT 14 ADAPTER FIBER OPTIC STECKER, VARIANTE 14	BLACK SCHWARZ	PBT-GF20

THIS DRAWING IS A CONTROLLED DOCUMENT. DIMENSIONING AND TOLERANCING PER GPS (ISO STANDARDS)		DWN S. HASS 20SEP2013	<p>TE Connectivity</p>
DIMENSIONS: MASSEINHEITEN: (MM)		CHK M. STRELOW 20SEP2013	
TOLERANCES UNLESS OTHERWISE SPECIFIED: ALLGEMEINTOLERANZEN		APVD C. SCHREITLINGER 20SEP2013	
0 PLC ±0.2 1 PLC ±0.2 2 PLC ±0.2 3 PLC ± 4 PLC ± ANGLES/WINKEL ±2° FINISH/OBERFLÄCHE/FARBE		NAME VARIANT 14, PLUG METAL VARIANTE 14, PLUG METALL FIBER OPTIC, LC, SINGLE MODE (BLUE)	
MATERIAL	-	PRODUCT SPEC PRODUKTSPEZ. 108-94207	SIZE A2
		APPLICATION SPEC VERARBEITUNGSSPEZ.	CAGE CODE 00779
		WEIGHT GEWICHT 74.9g	DRAWING NO. ZEICHNUNGS-NR. C-2120864
		Customer Drawing	RESTRICTED TO NUR FUER -
			SCALE MASSSTAB 2:1
			SHEET BLATT 2 OF 4
			REV A1

P	LTR	REVISIONS AENDERUNGEN	DESCRIPTION	DATE	DWN	APVD
-	-	SEE SHEET 1	BESCHREIBUNG	-	-	-

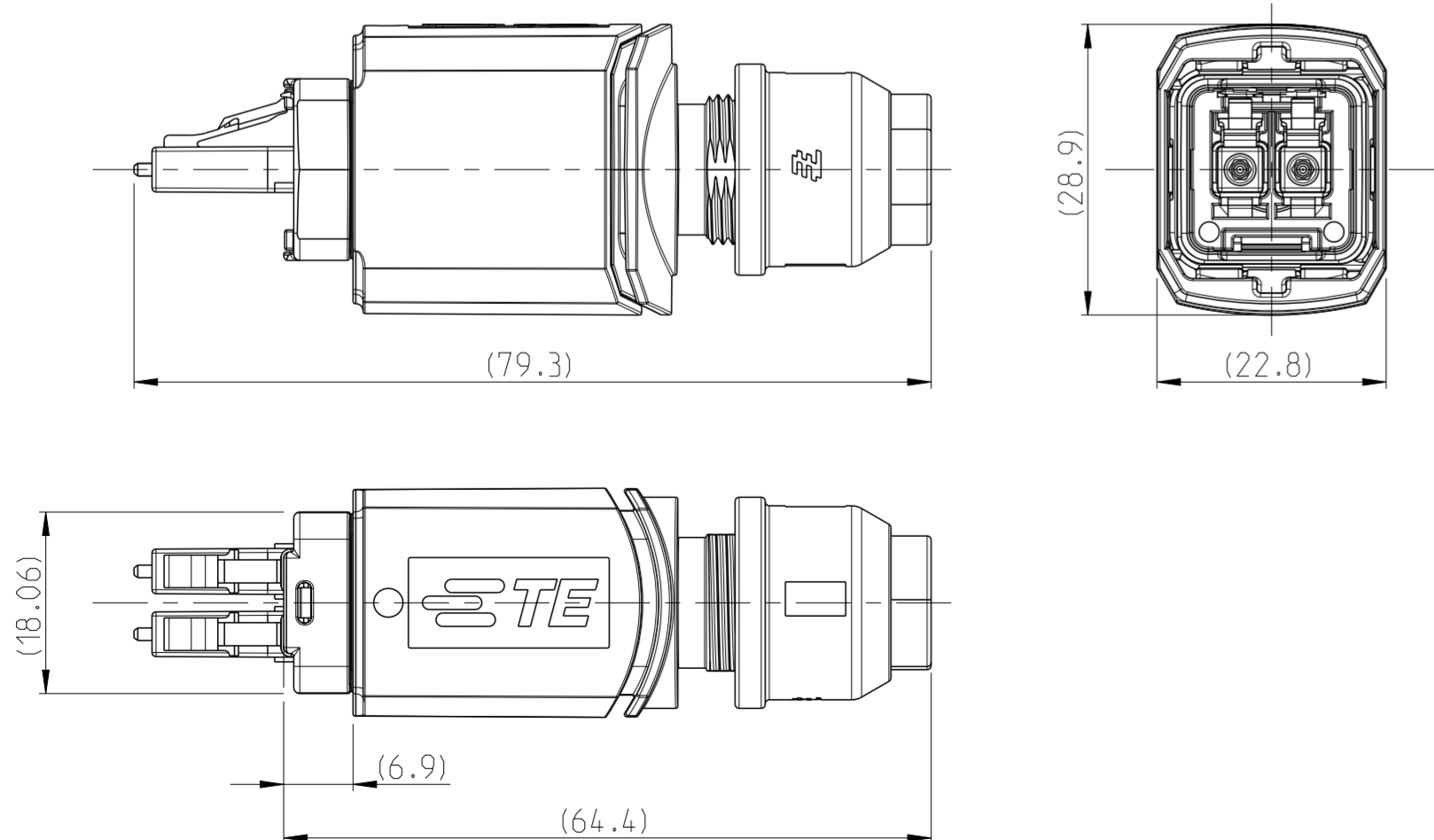


- 1 MOUNTING-CYCLE:
  - APPLICATION SEE INSTRUCTION SHEET 411-18565
- 2 PACKAGING:
  - CONNECTOR SET PACKED INTO BLISTER PACKAGE
  - BLISTER PACKAGE PACKED INTO CARTON
- 3 CONNECTOR APPLICATION ACC. INSTRUCTION SHEET 408-8925
- 4 NOT SHOWN

- 1 MONTAGE:
  - VERARBEITUNG SIEHE MONTAGEANWEISUNG 411-18565
- 2 VERPACKUNG:
  - STECKER SET IN BLISTERVERPACKUNG VERPACKT
  - BLISTERVERPACKUNG IN KARTON VERPACKT
- 3 STECKERVERBINDER MONTAGE NACH ARBEITSANWEISUNG 408-8925
- 4 NICHT DARGESTELLT

3--1 AS SHOWN  
3--1 WIE GEZEICHNET

DIMENSION IN ASSEMBLED CONDITION  
MASSE IM ASSEMBLIERTEN ZUSTAND  
SCALE / M 3:2



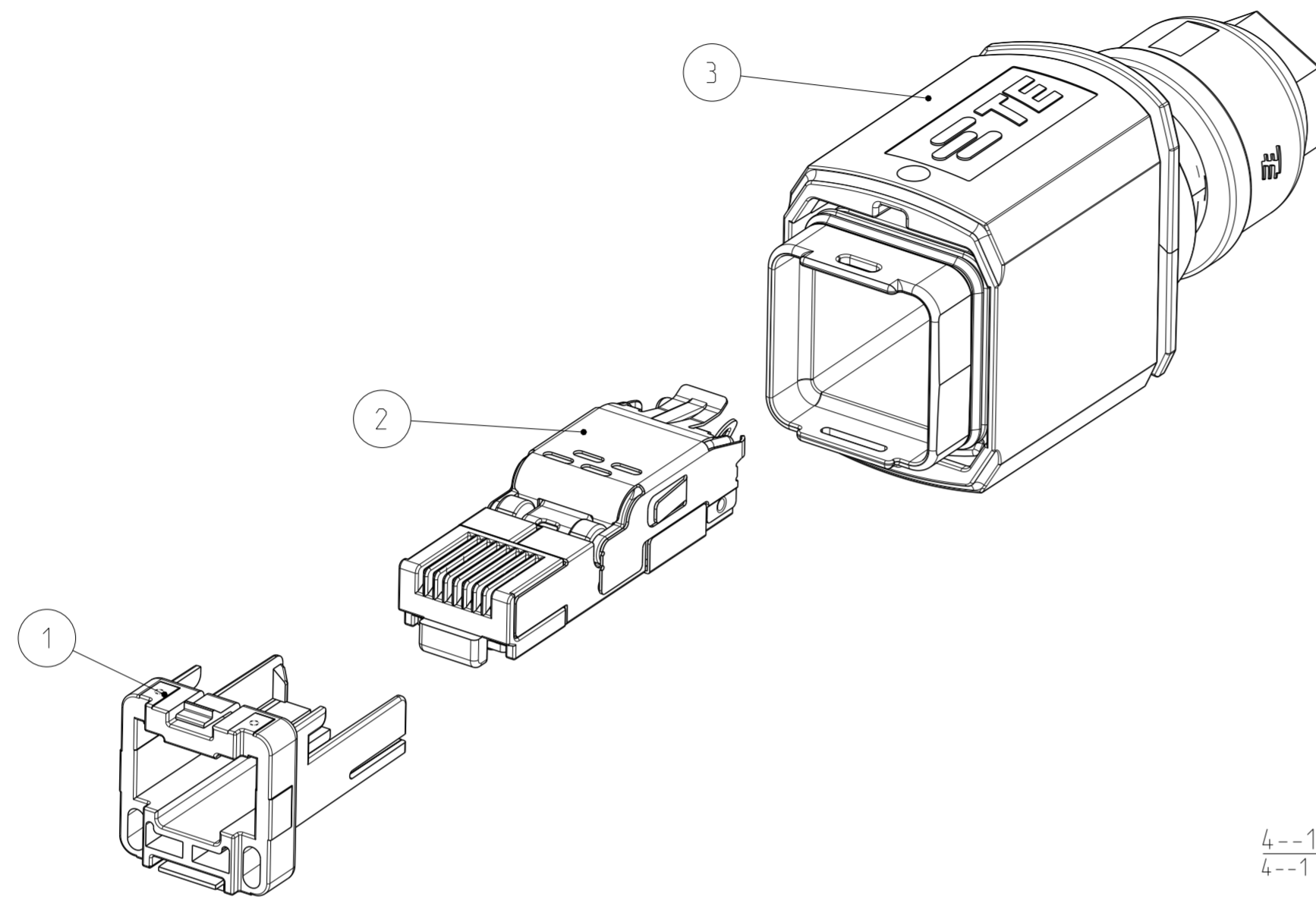
Size ISO 14405 (E)

QUANTITY STÜCK		ITEM-NO. POS.	DESCRIPTION BENENNUNG	SURFACE OBERFLÄCHE COLOUR/FARBE	MATERIAL
-	-	1	5 BLISTER PACKAGE BLISTERVERPACKUNG	-	-
-	-	1	4 INSTRUCTION SHEET MONTAGEANWEISUNG	-	-
-	-	1	3 PUSH PULL, SUB-ASSY PUSH PULL, SUB-ASSY	3-5 µm Ni OVER 8 µm Cu	ZP0410 DIN 12833
-	-	2	2 CONNECTOR ASSEMBLY ONE-PIECE LC, MULTI MODE GLASFASERVERBINDER, LC, MULTIMODE	BLACK SCHWARZ	-
-	-	1	1 ADAPTER FIBER OPTIC PLUG, VARIANT 14 ADAPTER FIBER OPTIC PLUG, VARIANTE 14	BLACK SCHWARZ	PBT-GF20

THIS DRAWING IS A CONTROLLED DOCUMENT. DIMENSIONING AND TOLERANCING PER GPS (ISO STANDARDS).		DWN S. HASS 20SEP2013	 TE Connectivity
DIMENSIONS: MASSEINHEITEN: (MM)		CHK M. STRELOW 20SEP2013	
TOLERANCES UNLESS OTHERWISE SPECIFIED: ALLGEMEINTOLERANZEN		APVD C. SCHRETTLINGER 20SEP2013	
0 PLC ±0.2 1 PLC ±0.2 2 PLC ±0.2 3 PLC ± 4 PLC ± ANGLES/WINKEL ±2° FINISH/OBERFLÄCHE/FARBE		NAME VARIANT 14, PLUG METAL VARIANTE 14, PLUG METALL FIBER OPTIC, LC, MULTI MODE (BEIGE)	
MATERIAL	-	WEIGHT GEWICHT 74.9g	SIZE A2
Customer Drawing		00779	DRAWING NO. ZEICHNUNGS-NR. C-2120864
SCALE MASSSTAB 2:1		SHEET BLATT 3 OF 4	RESTRICTED TO NUR FUER - REV A1

P	LTR	DESCRIPTION BESCHREIBUNG	DATE	DWN	APVD
-	-	SEE SHEET 1	-	-	-

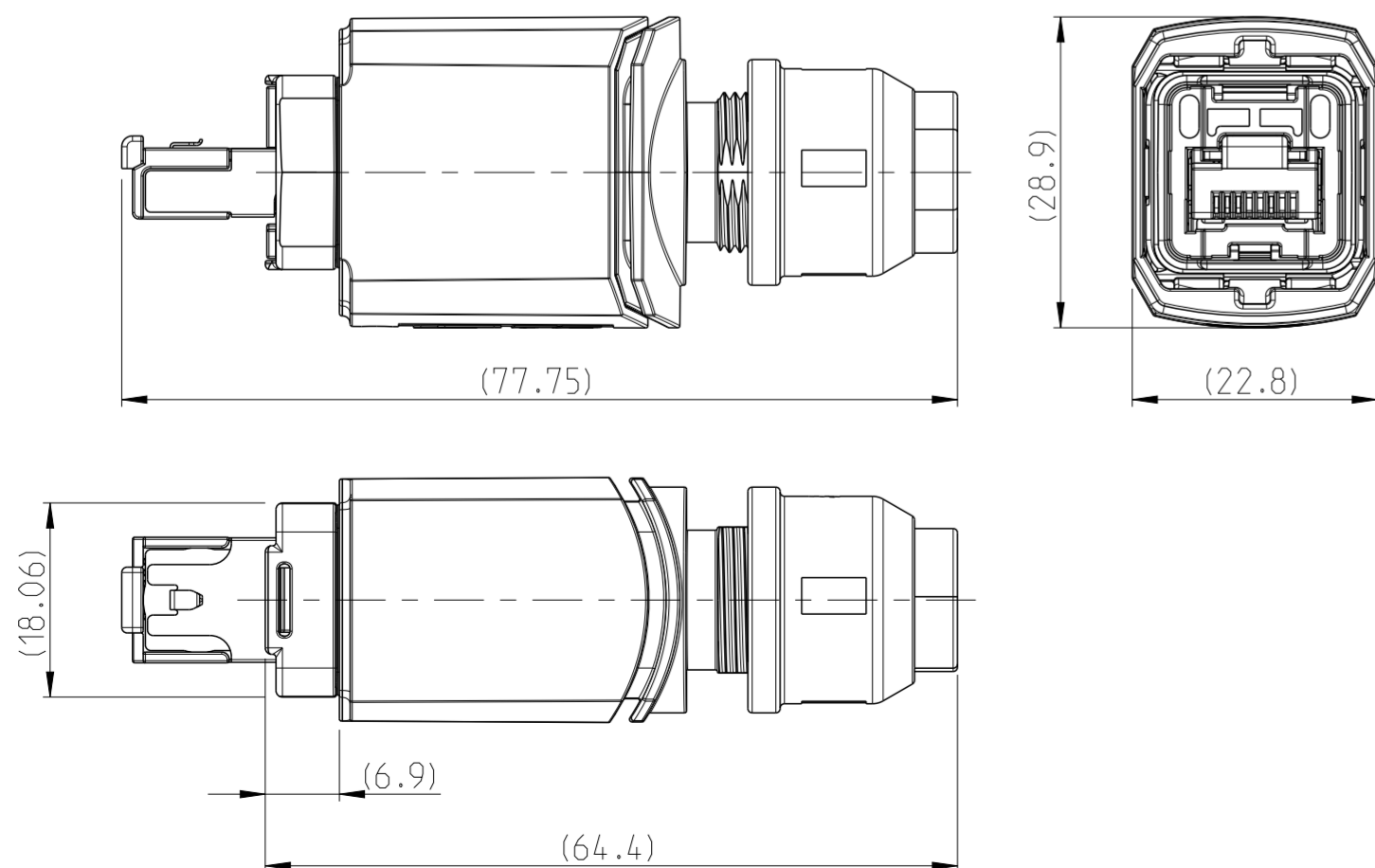


4--1 AS SHOWN  
4--1 WIE GEZEICHNET

- 1 MOUNTING-CYCLE:  
- APPLICATION SEE INSTRUCTION SHEET 411-18564
- 2 PACKAGING:  
- CONNECTOR SET PACKED INTO BLISTER PACKAGE  
- BLISTER PACKAGE PACKED INTO CARTON
- 3 RJ45 APPLICATION ACC. IEC 60076-3-117 and INTERFACE DIM.
- 4 NOT SHOWN
- 1 MONTAGE:  
- VERARBEITUNG SIEHE MONTAGEANWEISUNG 411-18564
- 2 VERPACKUNG:  
- STECKER SET IN BLISTERVERPACKUNG VERPACKT  
- BLISTERVERPACKUNG IN KARTON VERPACKT
- 3 RJ45 ANWENDUNG NACH IEC 60076-3-117 UND SCHNITTSTELLENMASSE
- 4 NICHT DARGESTELLT

DIMENSION IN ASSEMBLED CONDITION  
MASSE IM ASSEMBLIERTEN ZUSTAND

SCALE / M 3:2



Size ISO 14405 (E)

QUANTITY STÜCK		ITEM-NO. POS.	DESCRIPTION BENENNUNG	SURFACE OBERFLÄCHE	MATERIAL
-	-	1	5 BLISTER PACKAGE BLISTERVERPACKUNG	-	-
-	-	1	4 INSTRUCTION SHEET MONTAGEANWEISUNG	-	-
-	-	1	3 PUSH PULL, SUB-ASSY PUSH PULL, SUB-ASSY	3-5 µm Ni OVER 8 µm Cu	ZP0410 DIN 12833
-	-	1	2 CORE 4POS. ASSY KERN 4POL. ASSY	-	-
-	-	1	1 ADAPTER RJ45, CAT5e, VARIANTE 14, PLUG ADAPTER RJ45, CAT5e, VARIANTE 14, STECKER	BLACK SCHWARZ	PBT-GF20
				COLOUR/FARBE	

THIS DRAWING IS A CONTROLLED DOCUMENT. DIMENSIONING AND TOLERANCING PER GPS (ISO STANDARDS)		DWN S. HASS 20SEP2013	<p>TE Connectivity</p>
DIMENSIONS: MASSEINHEITEN: (MM)		CHK M. STRELOW 20SEP2013	
TOLERANCES UNLESS OTHERWISE SPECIFIED: ALLGEMEINTOLERANZEN		APVD C. SCHRETLINGER 20SEP2013	
0 PLC ±0.2 1 PLC ±0.2 2 PLC ±0.2 3 PLC ± 4 PLC ± ANGLES/WINKEL ±2° FINISH/OBERFLÄCHE/FARBE		NAME VARIANT 14, PLUG METAL VARIANTE 14, PLUG METALL RJ45, CAT5e, 4POS	
MATERIAL	-	PRODUCT SPEC PRODUKTSPEZ. 108-94207	SIZE A2
		APPLICATION SPEC VERARBEITUNGSSPEZ.	CAGE CODE 00779
		WEIGHT GEWICHT 78.6g	DRAWING NO. ZEICHNUNGS-NR. C-2120864
		Customer Drawing	RESTRICTED TO NUR FUER -
		SCALE MASSTAB 2:1	SHEET BLATT 4 OF 4
			REV A1