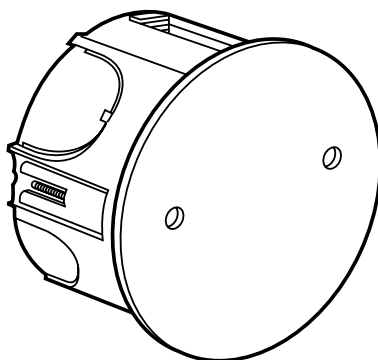


Batik™ Flush-mounting boxes for dry partitions

Cat. Nos.: 893 70/71/72/73/74/75



1. GENERAL CHARACTERISTICS

Junction boxes for dry partitions.

2. TECHNICAL CHARACTERISTICS

Case: yellow polypropylène

Cover: white polypropylène

Screws: bright galvanized steel (cover screws: nickel-plated steel).

Cat. Nos.	Ext. boxes (mm)	Covers (mm)
893 70	Ø 67 x 40	Ø 80
893 71	Ø 85 x 40	100 x 100
893 72	115 x 115 x 40	140 x 140
893 73	160 x 105 x 40	190 x 135
893 74	170 x 170 x 50	195 x 195
893 75	230 x 170 x 50	225 x 210

Bottom can be knocked out (precut)

Supplied with cover and screws

Entries:

Cat. Nos.	Sides	Bottom
893 70	-	-
893 71	-	-
893 72	2 x 16 / 4 x 20 / 4 x 25	2 x 20 / 1 x 32
893 73	2 x 16 / 2 x 20 / 6 x 25	2 x 20
893 74	8 x 20 / 6 x 25	2 x 20 / 3 x 25
893 75	10 x 20 / 8 x 25	2 x 20 / 2 x 25

Min. and max. temperature:

- operation: - 5 to + 40° C

- installation : - 5 to + 60° C

3. MOUNTING

Boxes to be flush-mounted on plasterboard and plywood.

4. DIMENSIONS

