

Micro Switch

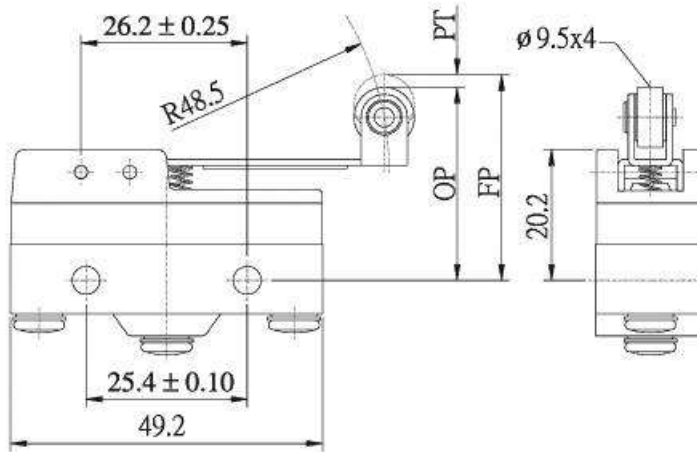
Q-1729

TYPE: **SF-6049**

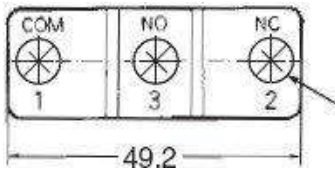
SPECIFICATIONS

Rating: 15A 250V AC
Contact R: 15mΩ max
Insulation R: 500V DC 100MΩ min
Dielectric Strength: 1 Minute 1000V AC
Operating Temperature: -25°C ~ +80°C
Electrical Life: 500,000 Cycles
L, mm: 58

Outline Drawing



Mounting



Circuitry

