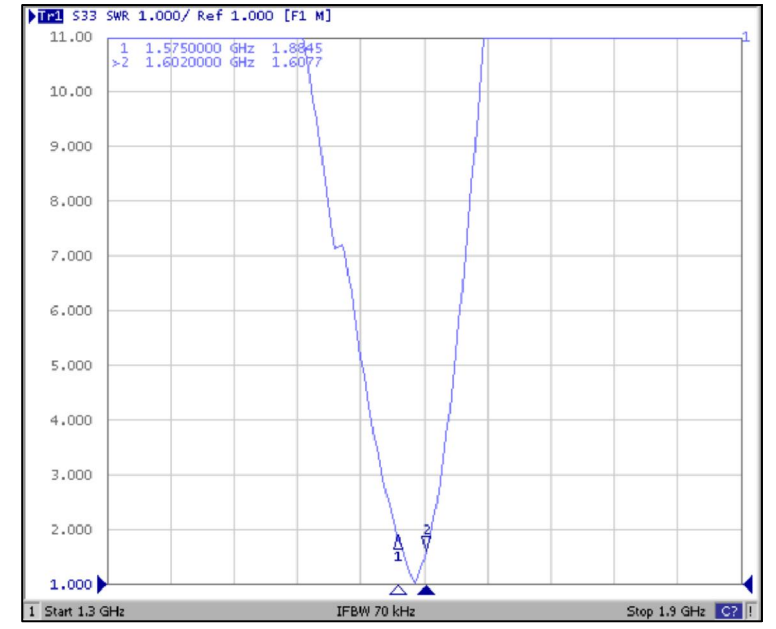
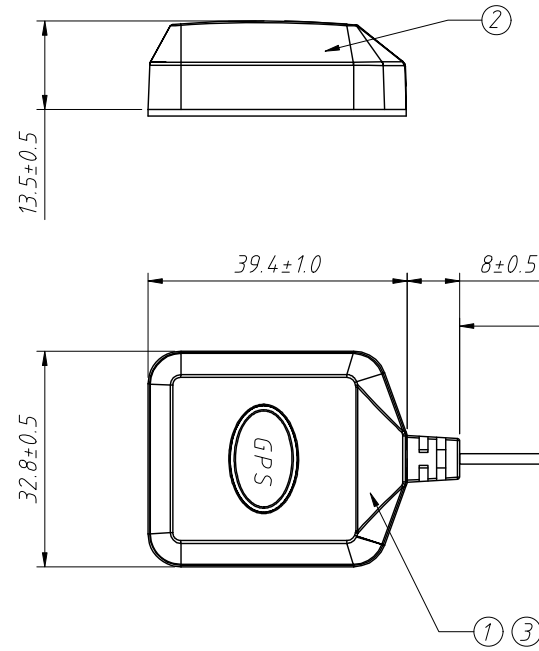


1	2		3
Component material process description			
Number	Material name	Product Description	quantity
①	Antenna element	25×25×4 Ceramics	1
②	Installation method	3M Glue	1
③	Cable	RG174 Coaxial Cable 50ohm Black	1
④	Connector	SMA J	1
⑤	Cover	39.4×32.8mm ABS Black	1
⑥	H.S TUBE	Heat Shrink Tube	1

Performance parameters	
Product name	GPS+Glonass Antenna
Model Type	L-KLS1-GN040105000
Frequency Range	GPS1575.42mhz Glonass1602+0.5625
Band Width	10MHz
Vswr	≤1.8
Gain	Dielectric 4DB Lna 25DB
Impedance	50 OHM
Polarization	RHCP
Noise Figure	1.5DB
DC Voltage	3-5V
DC Current	≤25mA
Boundary Dimension	39.4×32.8×13.5mm
Cable	RG174-5000MM
Connector	SMA Male
Working Temp	- 40° --80 °
Way To Install	Magnet
Axial ratio	≤4DB



ANGLE TOLERANCE	PROJECTION	Description:	
±3°		GPS+Glonass Antenna	
GENERAL TOLERANCE	UNITS	mm	KLS P/N:
x.x ±0.30	SHEET SIZE	A4	L-KLS1-GN040105000
x.xx ±0.20	Draw:	Daniel	2022-03-15
x.xxx ±0.10	Check:	Daniel	2022-03-15

RoHS Compliance

