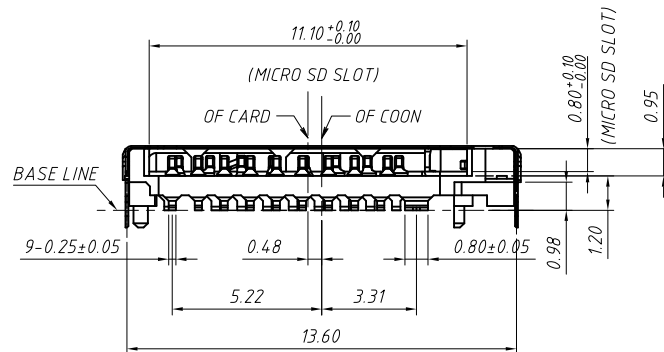
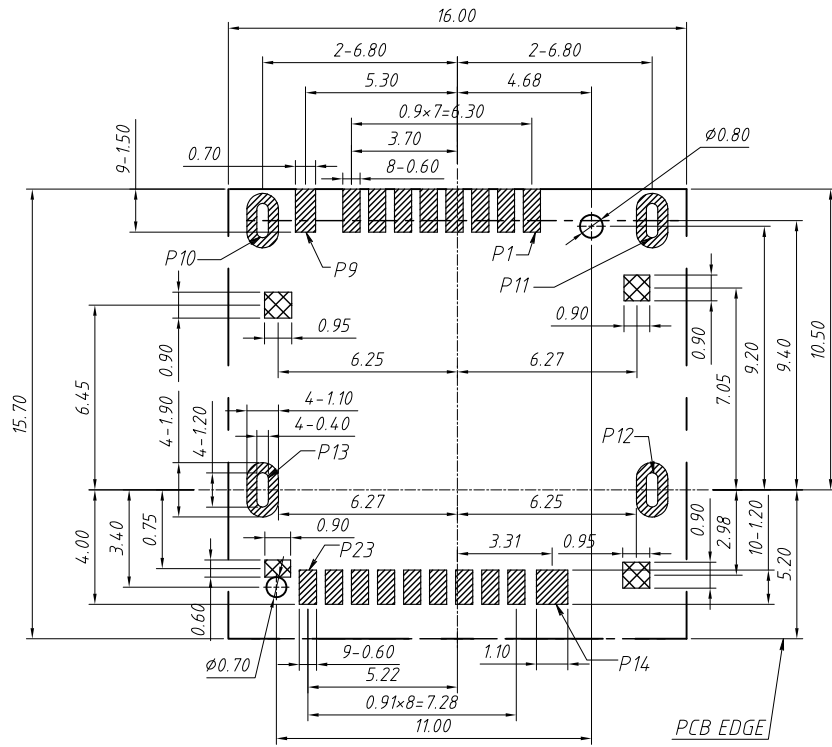


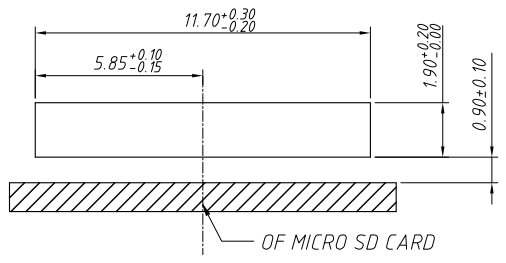
TOP VIEW



GENERAL TOLERANCE	ANGLE TOLERANCE	PROJECTION		Micro SD 4.0 PUSH/ PUSH CONN, T0.98mm
X. ±0.15	X. ±5°	UNITS	mm	
.X ±0.03	.X ±3°	SHEET SIZE	A4	
.XX ±0.05	.XX ±2°		KLS P/N:	L-KLS1-SD4.0-004-R
Draw by: Jenny	Date: 2018-03-10	NingBo KLS ELECTRONIC CO.,L TD.		
Check by:	Date: 2018-03-10			
SCALE	SHEET 1 OF 1			



RECOMMENDED PCB LAYOUT  
TOP VIEW (TOLERANCE) ±0.05



RECOMMEND ID DIMENSION

**Material:**  
 Plastic:LCP,Thermoplastic UL94 V-0.Black.  
 Contact:Copper Alloy.  
 Shell:Stainless Steel.

**Plating:**  
 Contact Area: Au 3u" Over Ni 50u".  
 Solder Tail Area: Matted Tin 80u" Min. Over Ni 50u".  
 Solderability: Over Plating Ni 50" Over All.

Pin No.	Pin Assignment
P1	Micro SD Dat2
P2	Micro SD CD/Dat3
P3	Micro SD CMD
P4	Micro SD VDD1
P5	Micro SD CLK
P6	Micro SD VSS
P7	Micro SD Dat0/RCLK
P8	Micro SD Dat1/RCLK
P9	Micro SD CD
P10	GND
P11	GND
P12	GND
P13	GND
P14	GND
P15	Micro SD VDD2
P16	Micro SD SWIO
P17	Micro SD VSS
P18	Micro SD D0+
P19	Micro SD D0-
P20	Micro SD VSS
P21	Micro SD D1-
P22	Micro SD D1+
P23	Micro SD VSS

Opening/Close of Switch

	Card Detect Switch
Card Uninsertion	Open
Card Half Insertion	Open
Card Insertion	Close
N/O	

GENERAL TOLERANCE	ANGLE TOLERANCE	PROJECTION	
X. ±0.15	X. ±5°	UNITS	mm
.X ±0.03	.X ±3°	SHEET SIZE	A4
.XX ±0.05	.XX ±2°	KLS P/N:	L-KLS1-SD4.0-004-R
Draw by: Jenny	Date: 2018-03-10		
Check by:	Date: 2018-03-10		
SCALE	SHEET 1 OF 1	NingBo KLS ELECTRONIC CO.,L.TD.	