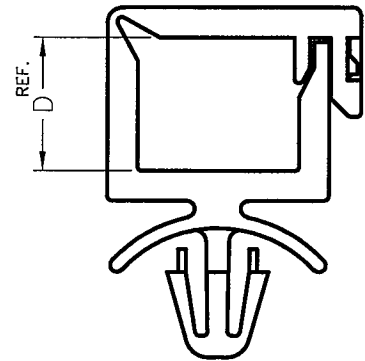
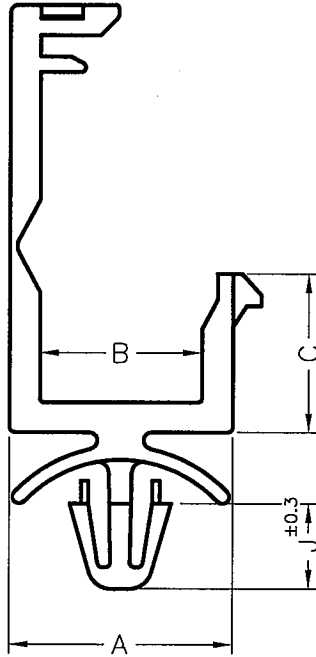


DIM.	TOL
5mm DOWN	±0.2
5~20mm	±0.3
20~40mm	±0.4
40~60mm	±0.5
60~100mm	±0.8
100mm UP	±1.0



(CLOSE DIAGRAM)  
(扣合示意圖)

MOUNTING HOLE :  $\phi G$   
THICKNESS : T

A	B	C	D	J	G	T
17.5	13.5	5.1	3.4	3.0	3.5	1.8

NOTE: 1. SHRINKING IS NORMAL STATUS.  
內縮為正常現象。  
2. MADE OF EQUIVALENT MATERIAL.  
均可使用同等材質。



**NINGBO KLS ELECTRONIC CO.,LTD.**

DATE 2014.08.04	TITLE WIRE SADDLE	DWG. NO. L-KLS8-0311B-CD-34	PART NO. L-KLS8-0311B-CD-34
DRAWN Emily	MATERIAL NYLON 66 UL94V-2	SIZE A4	SPEC. DWG. REV A
CHECKED 	COLOR NATURAL	FINISH	
APPROVED 	UNLESS OTHERWISE SPECIFIED TOLERANCE: SEE ABOVE	SCALE: NONE	UNIT mm SHEET 1 OF 1