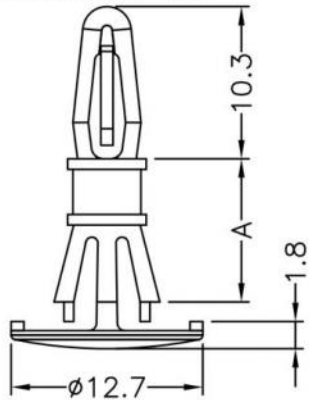
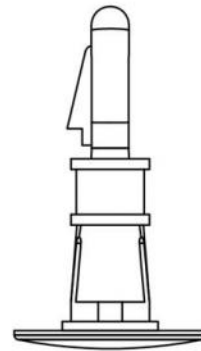


MOUNTING HOLE $\phi 4.0$
THICKNESS 1.6



MOUNTING HOLE $\phi 5.4$
THICKNESS 1.5~1.6

A
9.5



All measurement does not include gate which raises under 0.3mm.



NINGBO KLS ELECTRONIC CO.,LTD.

PART NUMBER		L-KLS8-2103-BSG-9.5	SPEC. DWG.	
TITLE				
MATERIAL			COLOR	
NYLON 66(UL) 94V-0			NATURAL	
SIZE	SCALE	UNIT	CHECK	
A4	2:1	mm	Z.C	