

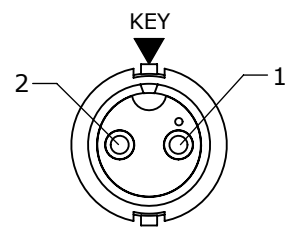
CUSTOMER PRINT

PART NUMBER: 6380-XPG-3XX

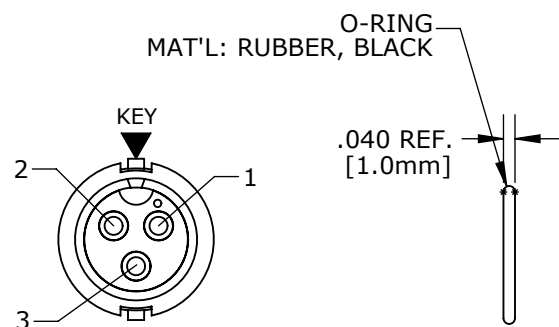
NOTES:  
1. ALL PARTS TO BE BULK PACKED.

KIT P/N	GROMMET SIZE
6380-XPG-3DC	DAISY CHAIN
6380-XPG-311	CABLE O.D. .09-.14 [2.3-3.5mm]
6380-XPG-315	CABLE O.D. .15-.17 [3.8-4.3mm]
6380-XPG-318	CABLE O.D. .18-.20 [4.6-5.1mm]
6380-XPG-321	CABLE O.D. .21-.23 [5.3-5.8mm]

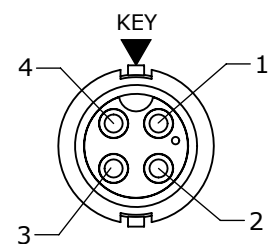
KIT P/N	NO. OF CONTACTS
6380-2PG-3XX	2 #16
6380-3PG-3XX	3 #16
6380-4PG-3XX	4 #16
6380-XPG-3XX	



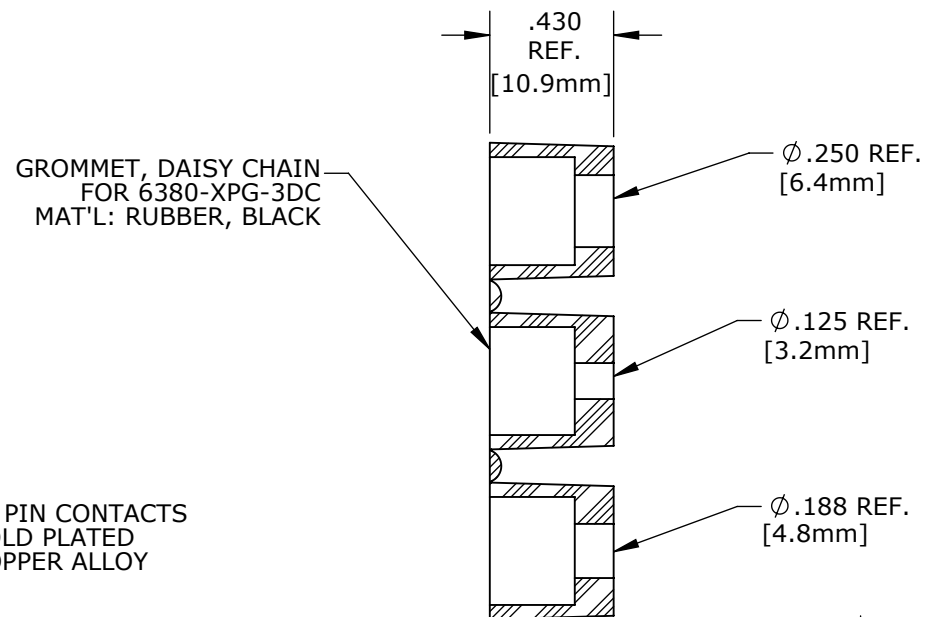
**FACE VIEW**  
6380-2PG-3XX



**FACE VIEW**  
6380-3PG-3XX

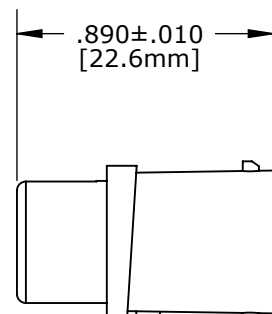


**FACE VIEW**  
6380-4PG-3XX

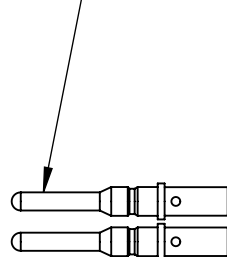


GROMMET, DAISY CHAIN  
FOR 6380-XPG-3DC  
MAT'L: RUBBER, BLACK

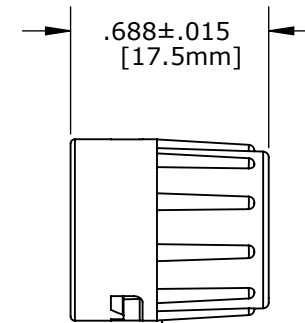
(2-4) #16 PIN CONTACTS  
MAT'L: GOLD PLATED  
COPPER ALLOY



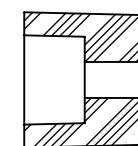
CABLE CONNECTOR, MALE  
MAT'L: THERMOPLASTIC, BLACK



COUPLING RING  
MAT'L: THERMOPLASTIC, BLACK

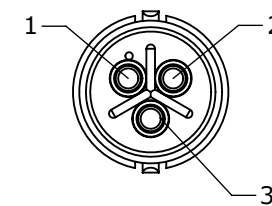


BACKSHELL  
MAT'L: THERMOPLASTIC, BLACK



SINGLE GROMMET  
MAT'L: SANTOPRENE, BLACK

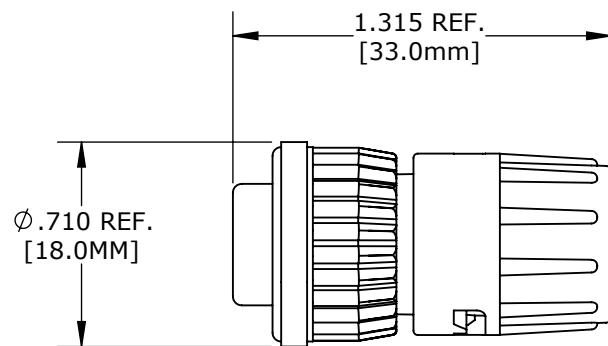
6380-XPG-311 .125 I.D. FOR CABLES .09-.14 [2.3-3.5mm] O.D.  
6380-XPG-315 .160 I.D. FOR CABLES .15-.17 [3.8-4.3mm] O.D.  
6380-XPG-318 .190 I.D. FOR CABLES .18-.20 [4.6-5.1mm] O.D.  
6380-XPG-321 .225 I.D. FOR CABLES .21-.23 [5.3-5.8mm] O.D.



**WIRE VIEW**  
6380-3PG-3XX SHOWN

GROMMET SIZE  
FOR SINGLE  
GROMMET OR  
"DC" FOR  
DAISY CHAIN

NO. OF CONTACTS



**ASSEMBLED VIEW**  
FOR CUSTOMER REF.

DIMENSIONS IN BRACKETS [ ] ARE METRIC

**CUSTOMER APPROVAL**

THIS DOCUMENT CONTAINS CONFIDENTIAL INFORMATION PROPRIETARY TO CONXALL CORPORATION. ANY REPRODUCTION, DISCLOSURE, OR USE OF THIS DOCUMENT /INFORMATION IS EXPRESSLY PROHIBITED UNLESS AUTHORIZED IN WRITING BY CONXALL CORPORATION.

APPROVED BY: \_\_\_\_\_  
DATE: \_\_\_\_\_

**RoHS COMPLIANT**

A	AN	06-27-12	DRAWING CREATED PER DOR 12-E149SL #17
REV.	INIT.	DATE	DESCRIPTION
	AN	06-26-12	ALL INFORMATION ILLUSTRATED IS THE PROPERTY OF "CONXALL CORPORATION". UNAUTHORIZED DUPLICATION OR DISTRIBUTION OF THIS DOCUMENT IS PROHIBITED.
APPROVED BY:			<p>601 E. WILDWOOD VILLA PARK, IL 60181</p>
SCALE	SIZE	SHEET	
NTS	B	1 OF 1	TITLE: CABLE CONNECTOR KIT (2-4) #16 PIN CONTACTS MINI-CON-X
FILE:	DIRECTORY:	PART NUMBER:	CUSTOMER: STANDARD PRODUCT
6380-XPG-3XX	SLW	6380-XPG-3XX	REV A

# Mouser Electronics

Authorized Distributor

Click to View Pricing, Inventory, Delivery & Lifecycle Information:

## Switchcraft:

[6380-2PG-311](#) [6380-2PG-315](#) [6380-2PG-318](#) [6380-2PG-321](#) [6380-2PG-3DC](#) [6380-2PG-3XX](#) [6380-3PG-311](#)  
[6380-3PG-315](#) [6380-3PG-318](#) [6380-3PG-321](#) [6380-3PG-3DC](#) [6380-3PG-3XX](#) [6380-4PG-311](#) [6380-4PG-315](#) [6380-4PG-318](#) [6380-4PG-321](#) [6380-4PG-3DC](#) [6380-4PG-3XX](#) [6380-3PG-321-PP](#)