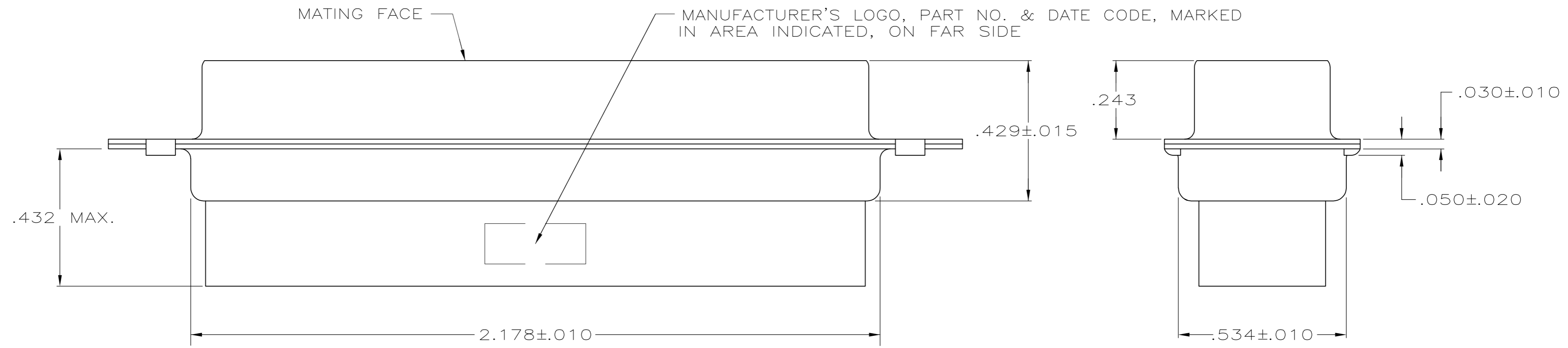
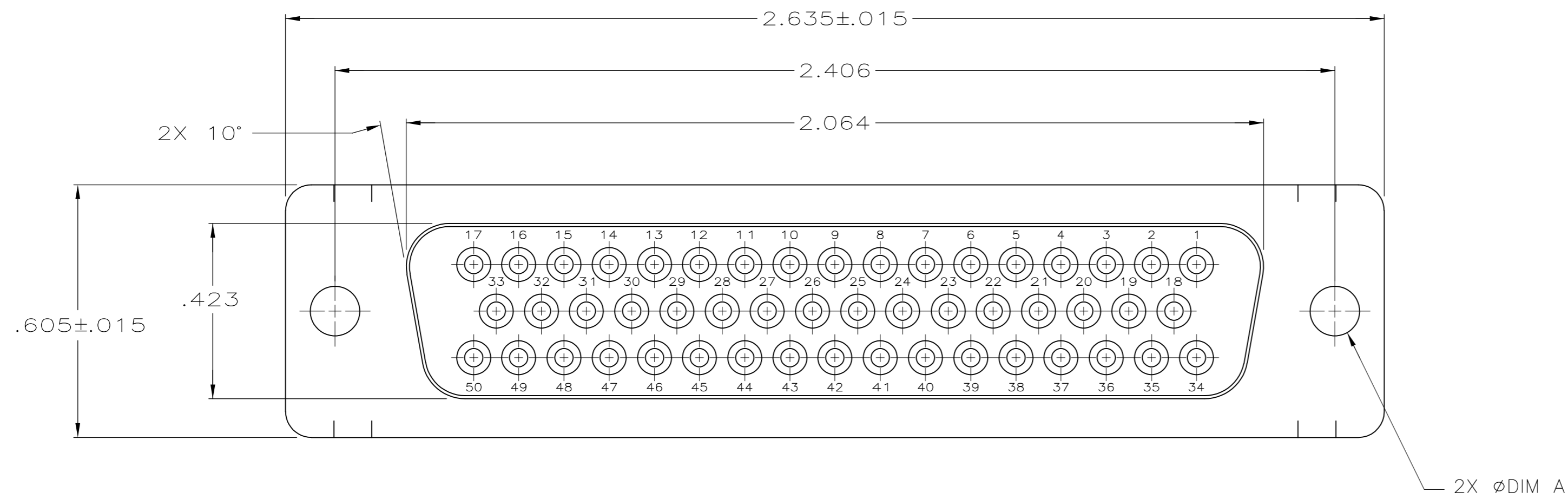


THIS DRAWING IS UNPUBLISHED. RELEASED FOR PUBLICATION
 © COPYRIGHT - By - ALL RIGHTS RESERVED.

LOC		DIST		REVISIONS			
GP	00	P	LTR	DESCRIPTION	DATE	DWN	APVD
		C1		REVISED PER ECO-11-004835	11MAR11	RK	HMR



- CONNECTOR ACCEPTS SIZE 20 DF SOCKET CONTACTS, RETENTION TINES ARE AN INTEGRAL PART OF INSERT.
- 2** MATERIAL:
MOLDED PARTS - FLAME RETARDANT 94V-0 RATED, GLASS FILLED NYLON, BLACK.
SHELLS - STEEL PER ASTM A109.
- 3** FINISH:
SHELL - .000200 MIN TIN PLATE OVER .000100 MIN COPPER UNDERPLATE.
- 4** FINISH:
SHELL - ZINC PLATED .000200-.000400 THICK, YELLOW CHROMATE COATING.

STANDARD	4	.120	1658640-2
STANDARD	3	.120	1658640-1
PACKAGING TYPE	FINISH	DIM A	PART NO.

THIS DRAWING IS A CONTROLLED DOCUMENT.

DWN	J.REITZEL	29 JUL 03
CHK	S.BOLASH	29 JUL 03
APVD	M.WALMSLEY	29 JUL 03

TE Connectivity

RECEPTACLE CONNECTOR, SIZE 5, 50 POS., AMPLIMITE HDP

SIZE	A2	CAGE CODE	00779	DRAWING NO	C=1658640	RESTRICTED TO	-
SCALE	4:1	SHEET	1 of 1	REV	C1		

1658640