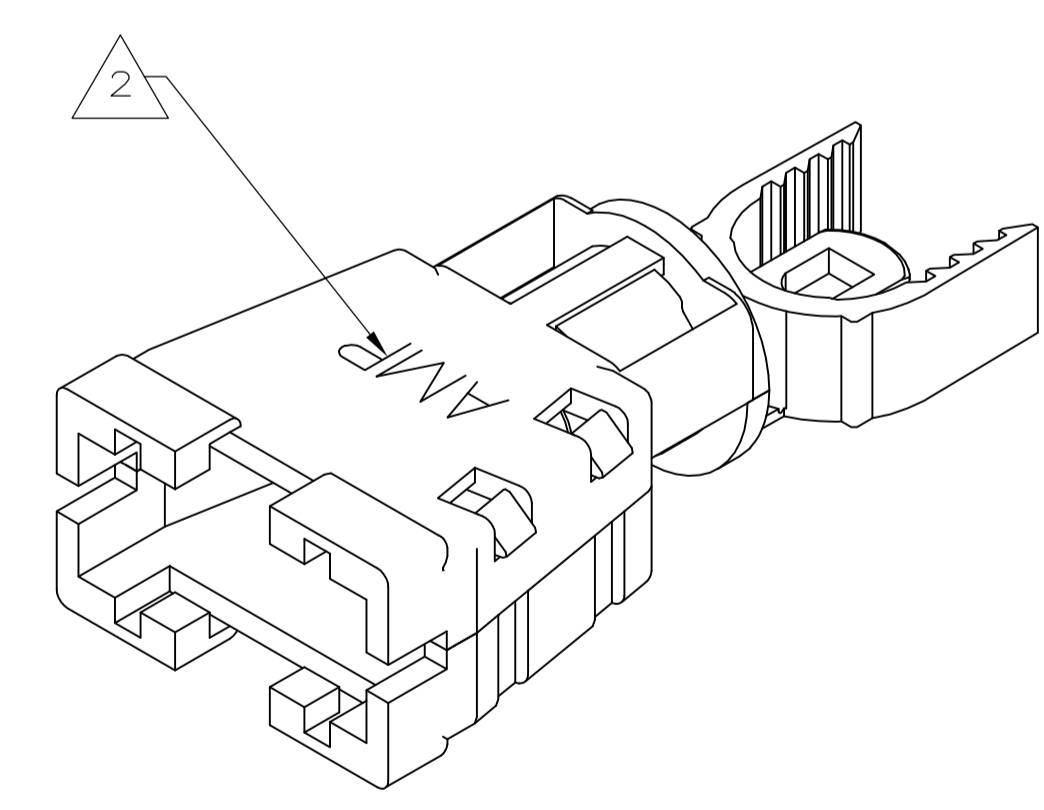
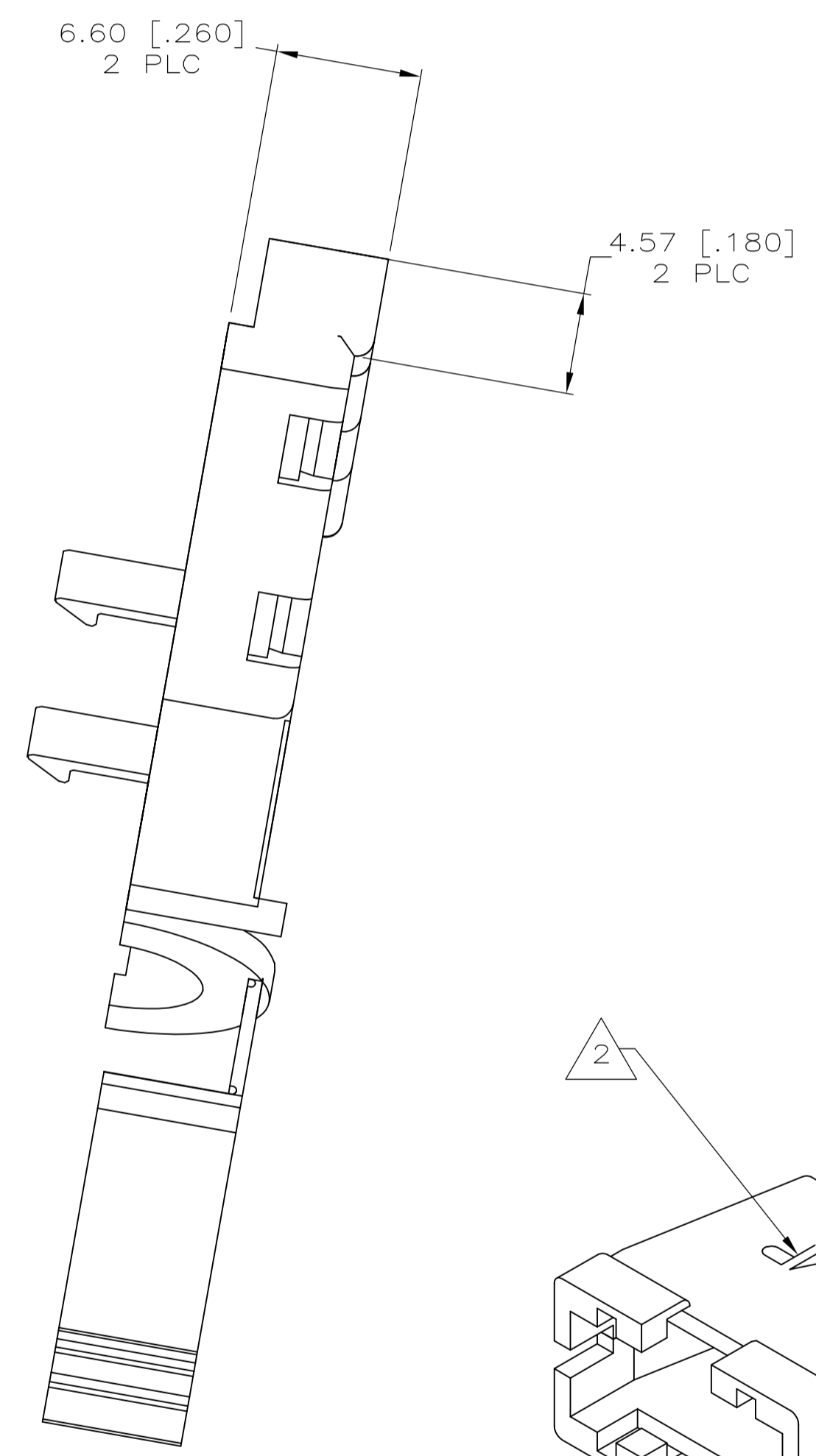
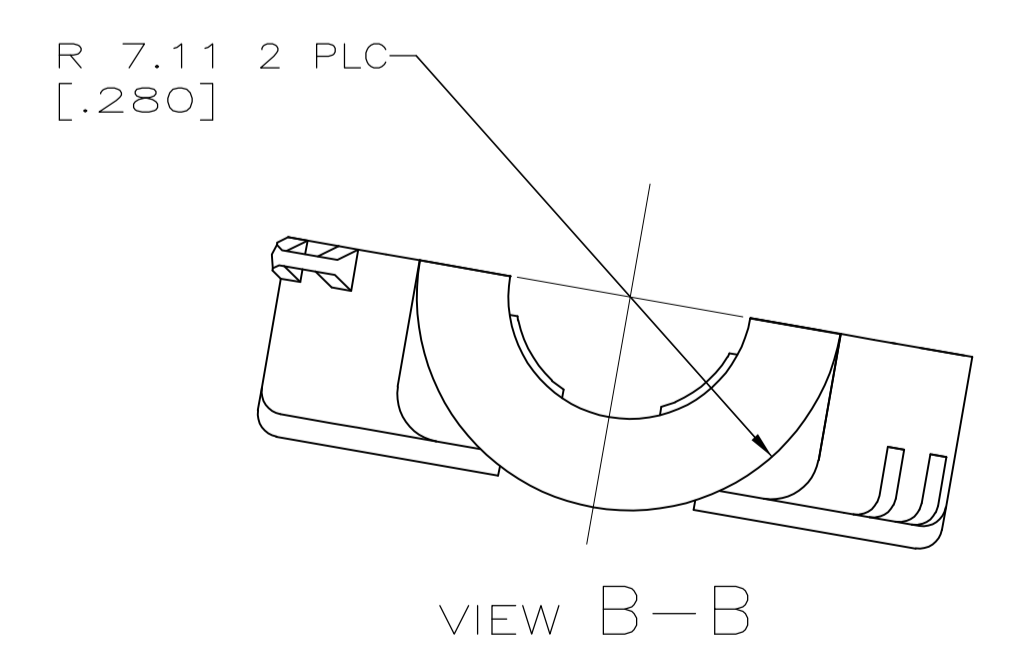
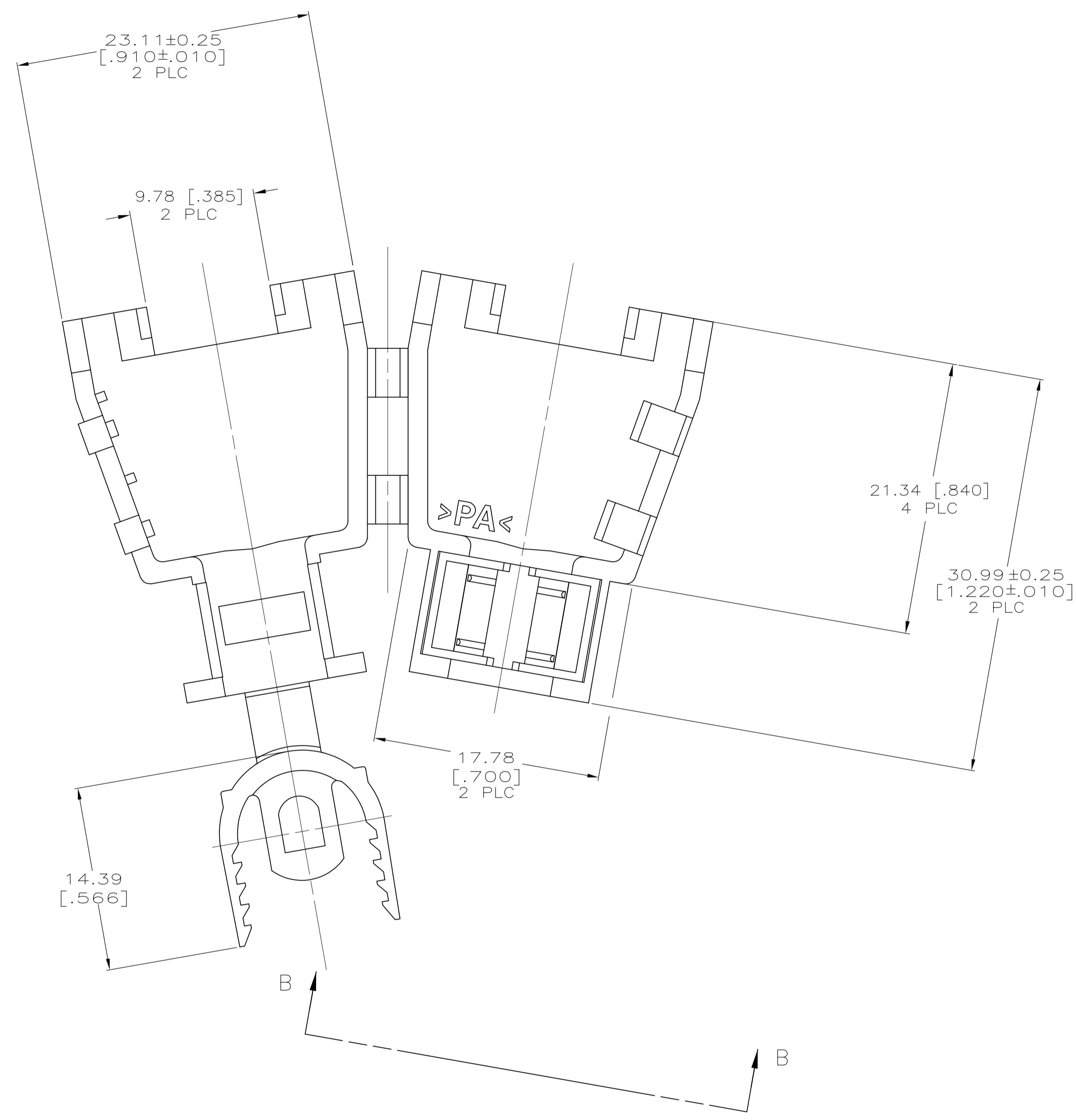


LOC		DIST		REVISIONS			
REV	BY	DATE	DESCRIPTION	DATE	OWN	APVD	
B			REVISED PER ECR 11-017103	19AUG11	JR	TM	



3-DIMENSIONAL MODEL NTS

- 1. DIMENSIONS IN BRACKETS ARE IN INCHES.
- 2. AMP LOGO MAY APPEAR ON ONE SIDE ONLY OR ON BOTH SIDES.

794423-1
PART NUMBER



THIS DRAWING IS A CONTROLLED DOCUMENT.		OWN: S. HOOVER 15-OCT-2004	TE Connectivity
DIMENSIONS: mm (INCHES)		CHK: C. JONES 15-OCT-2004	
TOLERANCES UNLESS OTHERWISE SPECIFIED:		APVD: C. JONES 15-OCT-2004	NAME
0 PLC ±		PRODUCT SPEC	STRAIN RELIEF, HINGED, 6 POSITION, PLUG AND CAP, MINI UNIVERSAL MATE-N-LOK
1 PLC ±		APPLICATION SPEC	RESTRICTED TO
2 PLC ± 0.13 [.005]		WEIGHT	A1 00779 ©=794423
3 PLC ±		CUSTOMER DRAWING	SCALE 4:1 SHEET 1 OF 1 REV B
4 PLC ±			
ANGLES ±			
FINISH	COLOR - NATURAL		