

6

5

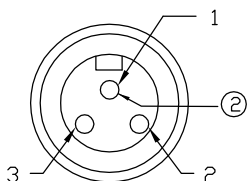
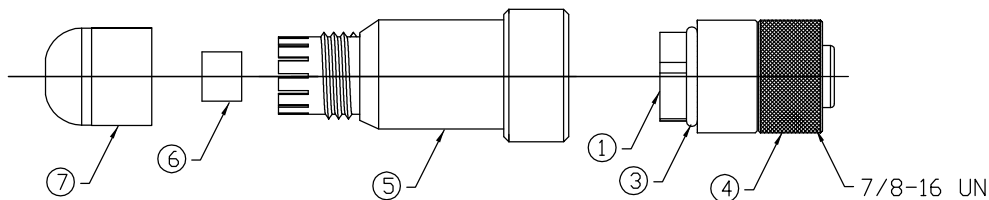
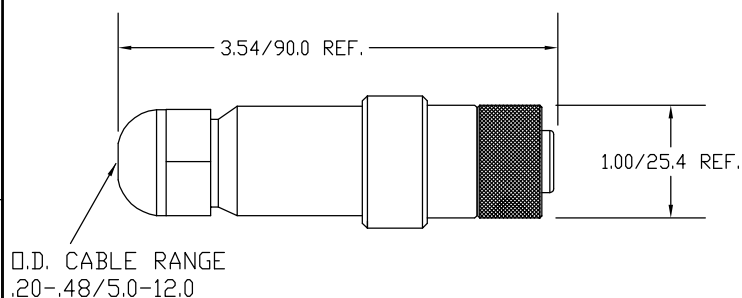
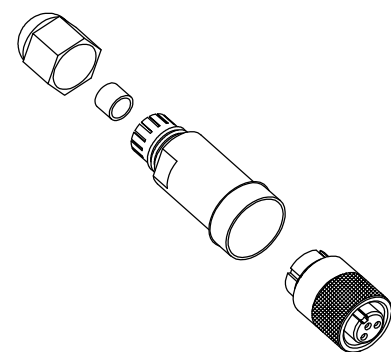
4

3

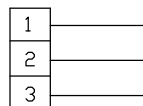
2

1

MATERIAL NUMBER	OLD PART NUMBER	COUPLING NUT MATERIAL	COUPLING NUT FINISH
130017-0004	1A3000-34	BRASS	NICKEL PLATED
130017-0005	1A3000-348	STAINLESS STEEL	PASSIVATED



FEMALE FACE VIEW



WIRING CHART

VOLTAGE RATING	600VAC/VDC
AMPERAGE RATING	13 AMPS
PROTECTION	IP67
OPERATING TEMPERATURE	-20°C TO 80°C
CSA CERTIFICATIONS	CSA CERTIFIED, FILE NO. LR6837

ITEM	COMPONENT	MATERIAL	FINISH
1	INSERT	NYLON	BLACK
2	CONTACTS	COPPER ALLOY	GOLD PLATED
3	O-RING	NITRILE	BLACK
4	COUPLING NUT	SEE CHART	SEE CHART
5	MOLDED BODY	NYLON	BLACK
6	GROMMET	NITRILE	BLACK
7	CORD GRIP BODY	NYLON	BLACK

EC NO: WNA2010-0067 DRWN: BWOODMAN 7/28/09 CHKD: JM APPR: JFMURPHY 2009/08/10	1	DESCRIPTION
	2	QUALITY SYMBOLS
	3	GENERAL TOLERANCES (UNLESS SPECIFIED)
	4	DIMENSION STYLE IN/MM
A	REV	

▽=0 ∇=0	GENERAL TOLERANCES (UNLESS SPECIFIED)	
	4 PLACES	±----
	3 PLACES	±----
	2 PLACES	±.01
1 PLACE	±0.3	
ANGULAR ±----		
DRAFT WHERE APPLICABLE MUST REMAIN WITHIN DIMENSIONS		

DRAWN BY	DATE
BW	2009/07/28
CHECKED BY	DATE
TW	2009/07/29
APPROVED BY	DATE
---	---
MATERIAL NO.	SEE CHART
SIZE	A

SCALE	DESIGN UNITS	THIRD ANGLE PROJECTION
----	----	☉
TITLE		
MINI 3P FEMALE ATTACH .20-.48 O.D. CABLE RANGE		
MOLEX INCORPORATED		
DOCUMENT NO.	SD-130017-002	SHEET NO. 1 OF 1
THIS DRAWING CONTAINS INFORMATION THAT IS PROPRIETARY TO MOLEX INCORPORATED AND SHOULD NOT BE USED WITHOUT WRITTEN PERMISSION		

6

5

4

3

2

1