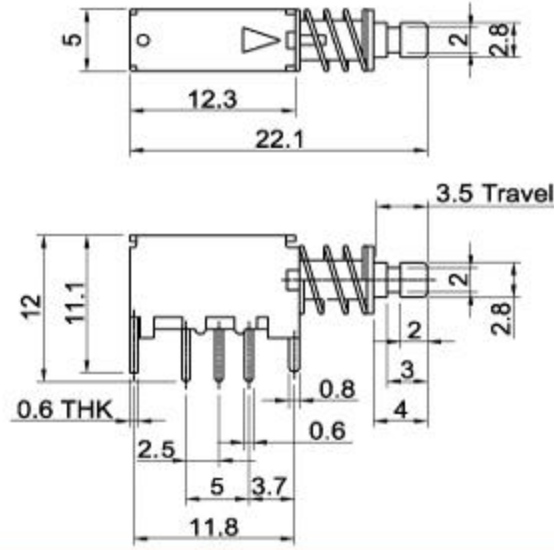
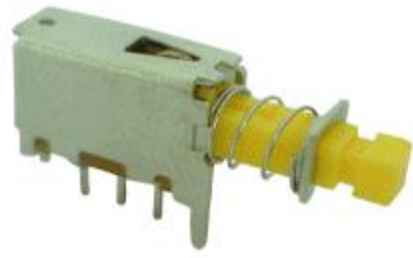
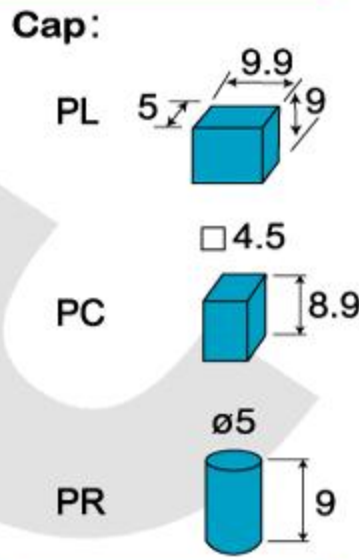


PS Series Push Switches

SPDT

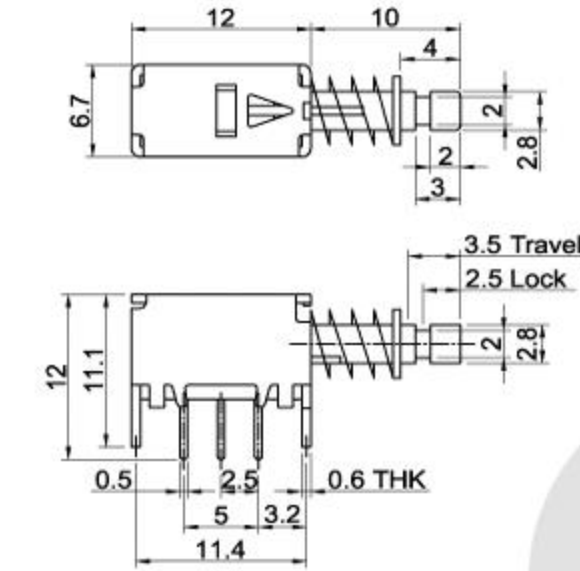
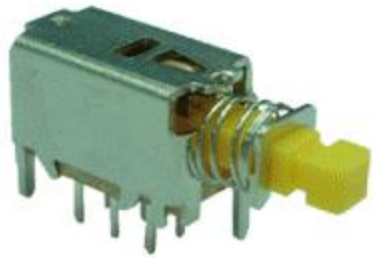


Rating: 0.3A 50V DC.
Contact resistance: 30mΩ Max.(initial)

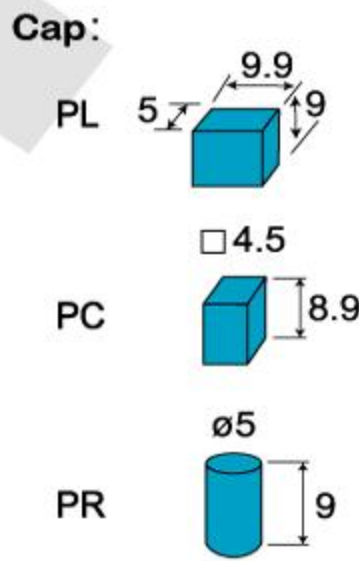


PS12E05Y LOCK
PS12E05NY NON-LOCK

DPDT

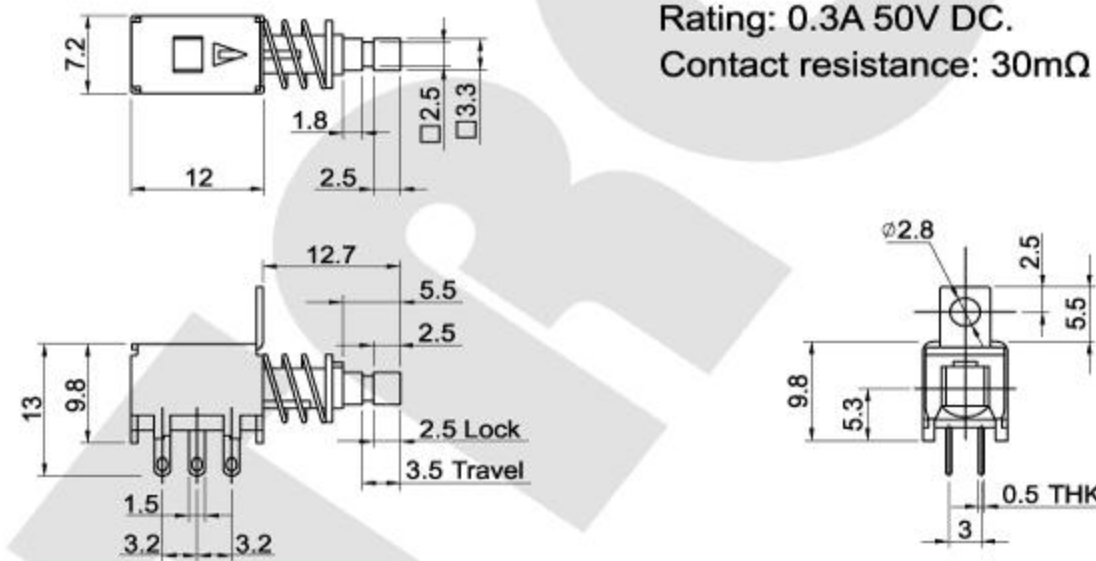


Rating: 0.3A 50V DC.
Contact resistance: 30mΩ Max.(initial)

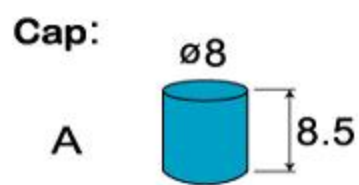


PS22E05Y LOCK
PS22E15Y NON-LOCK

DPDT

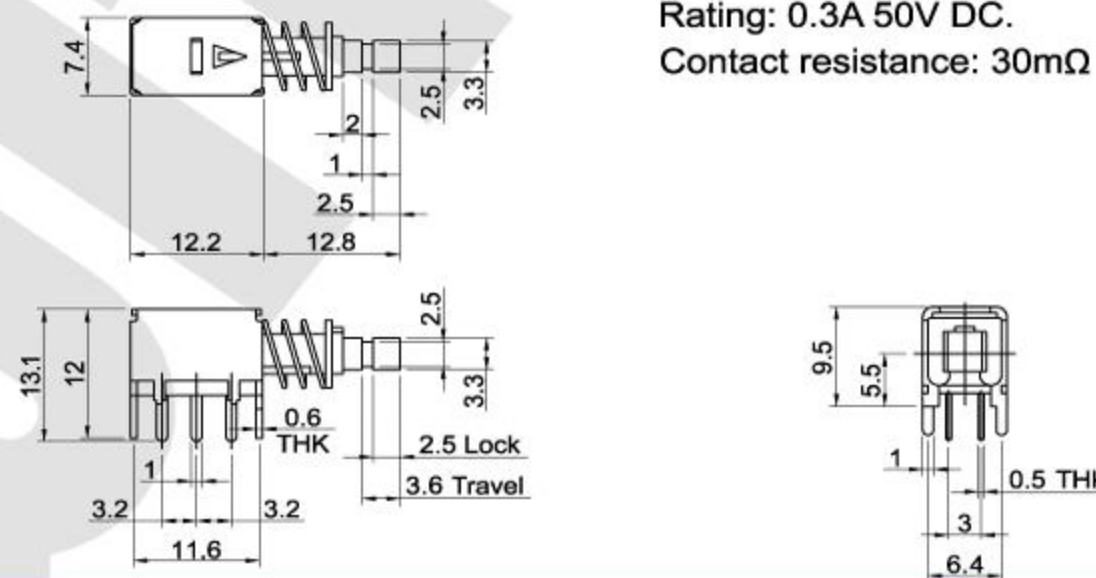


Rating: 0.3A 50V DC.
Contact resistance: 30mΩ Max.(initial)

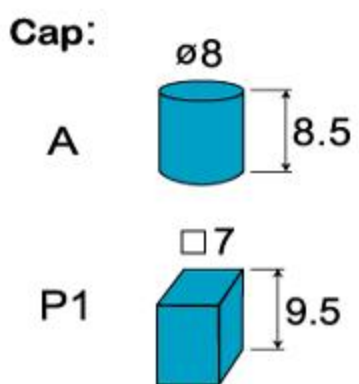


PS22F68Y LOCK
PS22F78Y NON-LOCK

DPDT

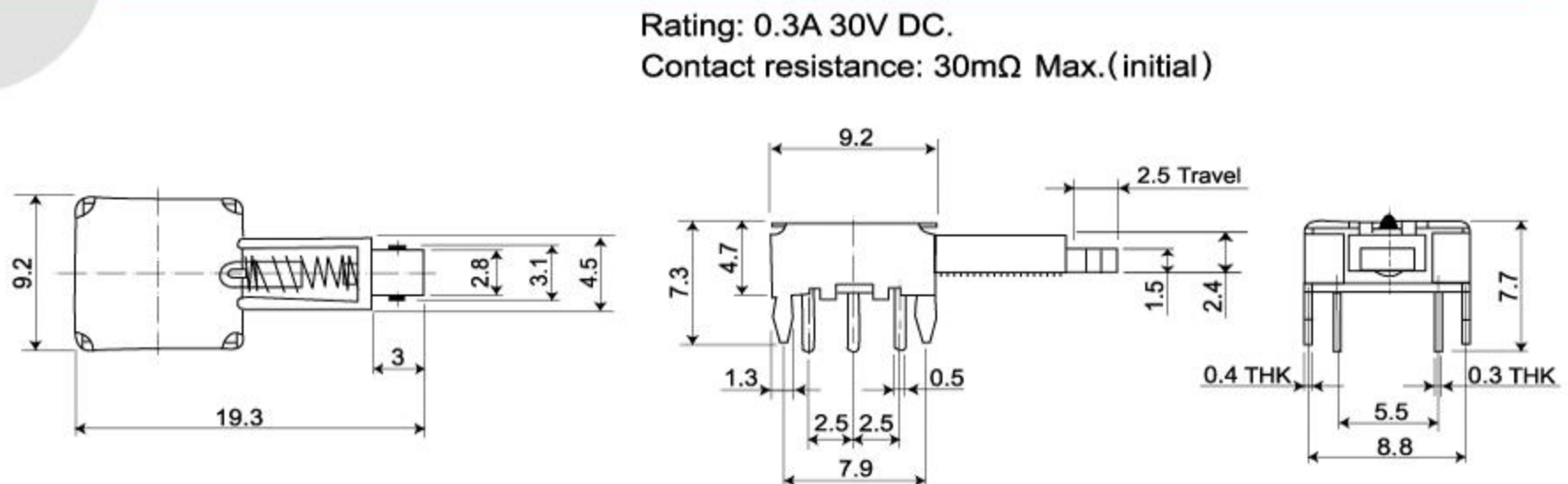
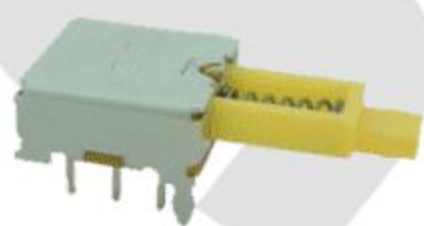


Rating: 0.3A 50V DC.
Contact resistance: 30mΩ Max.(initial)



PS22F02Y LOCK
PS22F03BU NON-LOCK

DPDT



Rating: 0.3A 30V DC.
Contact resistance: 30mΩ Max.(initial)

PS22E02Y LOCK
PS22E03Y NON-LOCK