

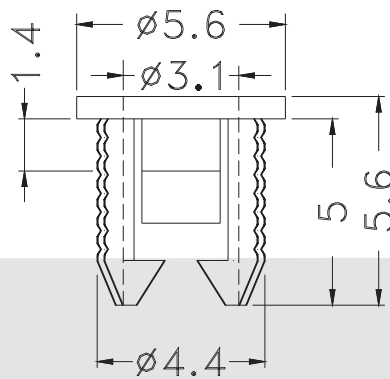
Led Spacer Support Series

KLS8-0118 Led Holder Series

Material: UL approved Nylon 66, 94V-2
Unit:mm

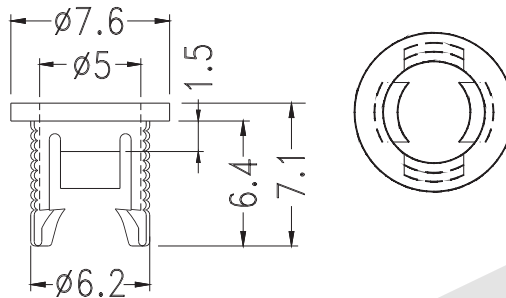


KLS8-0118-3



CHASSIS \varnothing 4.5

KLS8-0118-5



CHASSIS \varnothing 6.4

ORDER INFORMATION

KLS8-0118- 3

- LED OD
- LED Holder Series
- Part Number